

PARTS MANUAL - 1 - 3.5TON

VIPER
LIFT TRUCKS



CONTACT US WITH ANY QUESTIONS | TOLL FREE: (888) 745-0577 | PARTS@VIPERLIFTTRUCKS.COM

THIS PARTS CATELOGUE COVERS IN THE MOST OF 2 TO 3. 5 TON FORKLIFT TRUCKS IN NEW S SERIES

Indexing Way: The users can look up it to "use the pages" number.

When ordering the parts or components, please indicate the model and series number of the your forklift truck, the drawing number of parts or components you require and their quantity.

When you replace parts or components, please apply the real goods made by our company VIPER LIFT TRUCKS to ensure the truck's quality.

We reserve modification right without notice Designations in the CATALOGUE.

Among the models of the forklift truck.

The following trucks are provided with corresponding engine.

FD20,25,30,35-S2/S4S-408 engine

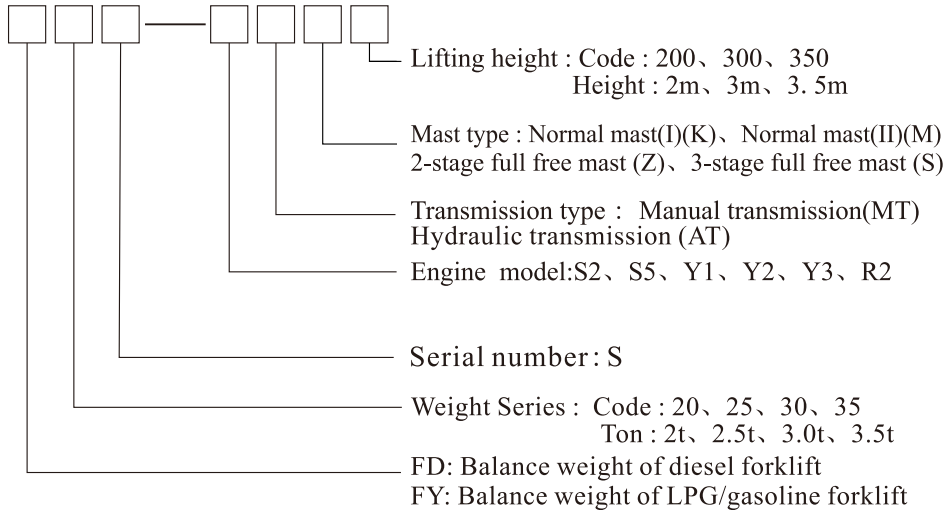
FD20,25,30,35-S5/S4S-474 engine

FD20,25-Y1/4TNE92 engine

FD30,35-Y2/4TNE98 engine

FD30,35-Y3/4TNV94L-BXPHZ engine

FY20,25,30,35-R2/K25 engine



Note: EX-A: Special parts made for the forklift trucks exported to US and Canada .

EX-B: Parts made for common forklift trucks markets .

Abbreviations in the CATALOGUE

ASS'Y	assembly
R. H.	right hand
L. H.	left hand
H. P,	high pressure
L. P.	low pressure

INDEX

Engine mount	1
Cooling system	11
Fuel system	17
Exhaust system	25
Drive unit mount (tor-con type)	35
Differential	36
Drive unit (tor-con type)	37
Drive unit(cover & inching valve)(tor-con type)	39
Charging pump (tor-con type)	41
Hydraulic clutch (tor-con type)	42
Control valve (tor-con type)	43
Inching valve (tor-con type)	44
Tor-xon oil cooling system (tor-con type)	45
Drive axle	46
Drive wheel assembly	48
Wheel brake	51
Transmission control linkage(tor-con type)	55
Steering system	56
Steering axle	57
Steering wheel	59
Steering cylinder	60
Accelerator pedal	61
Brake & inching control	62

INDEX

Brake lever	63
Frame system	64
Hood、 Floor Board & Seat	76
Balance weight installation	79
Head guard	80
Head guard (option)	82
Oil tank	84
Valve control(two-throw)	85
Valve control(three-throw)	86
Valve control(four-throw)	87
Valve control(five-throw)	88
hydraulic system	89
Electric system	102
Electrical schematic diagram	126
Vehicle harness	138
Head guard	150
Hydraulic system mast(Normal mast KM)	151
Hydraulic system attachments(Normal mast KM)	153
Hydraulic system attachments(Normal mast KM)	155
Hydraulic system mast(Full Free 2-Stage Mast KZM)	157
Hydraulic system attachments(Full Free 2-Stage Mast KZM)	159
Hydraulic system attachments(Full Free 2-Stage Mast KZM)	161
Hydraulic system mast(Full Free 3-Stage Mast KZM)	163

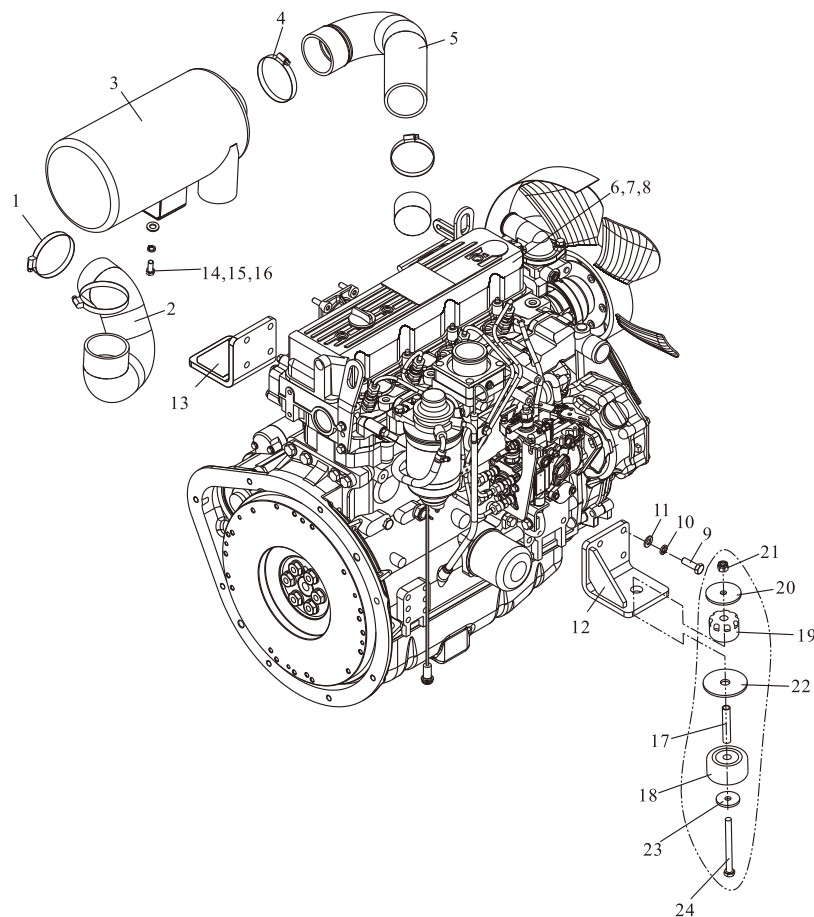
INDEX

Hydraulic system attachments(Full Free 3-Stage Mast KZM)	166
Hydraulic system attachments(Full Free 3-Stage Mast KZM)	169
Fork	172
Lift Bracket Normal Mast	173
Lift Bracket Full Free 2-Stage Mast	174
Lift Bracket Full Free 3-Stage Mast	175
Mast (Normal mast KM)	176
Mast (Full free 2-stage mast KZM)	178
Mast (Full free 3-stage mast KZM)	180
Lift Cylinder(Normal Mast KM)	183
Front Lift Cylinder (Full Free 2-Stage Mast KZM)	187
Front Lift Cylinder (Full Free 3-Stage Mast KZM)	190
Rear Lift Cylinder (Full Free 2-Stage Mast KZM)	193
Rear Lift Cylinder (Full Free 3-Stage Mast KZM)	196
Tilt cylinder	200

Engine mount

FD20,25-Y1/FD20,25,30,35-Y2/FD30,35-Y3

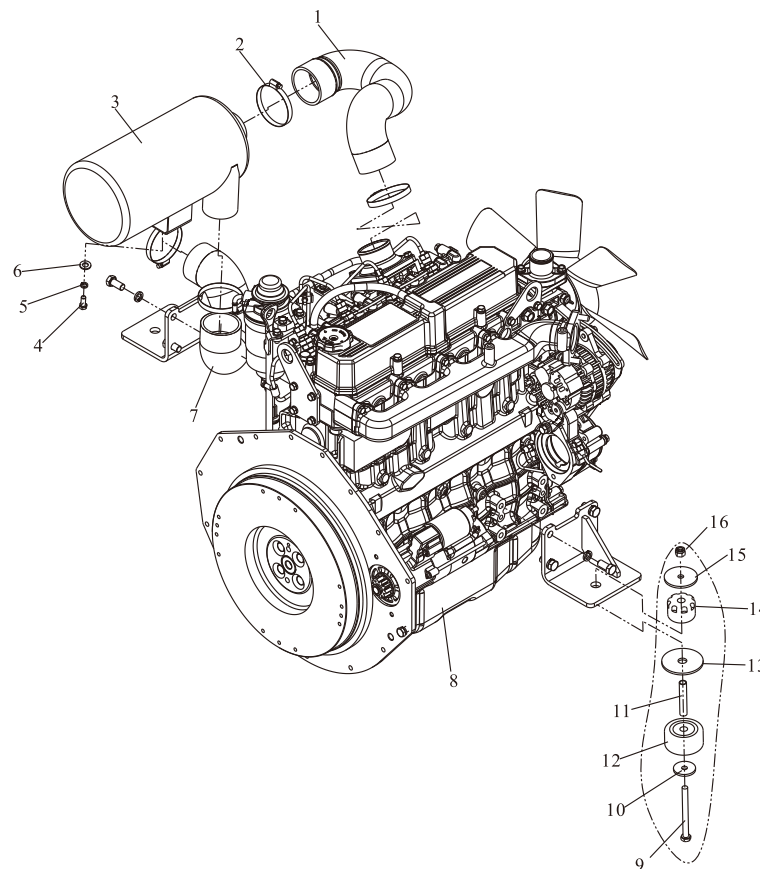
Item	Part No	Description	Q'ty	Remark
1	JB/T 8870	80×60 Clip	3	
2	A30DA5-10001	A Hose, intake air	1	
3	A30DA5-10100	Air cleaner	1	
4	JB/T 8870	70×50 Clip	1	
5	A30DA5-10002	B Hose, intake air	1	
6	A30H5-10200	4TNE98 Engine	1	3-3.5T
-	A20H5-10200	4TNE92 Engine	1	2-2.5T
-	A30H5-10500	4TNV94L Engine	1	2-3.5T
9	GB/T5783	M10×30 Bolt	6	
10	GB/T93	10 Washer,lock	6	
11	GB/T97.1	10 Washer	6	
12	A30H5-10600L	Engine mount L.H.	1	
13	A30H5-10600R	Engine mount R.H.	1	
14	GB/T97.1	8 Washer	1	
15	GB/T93	8 Washer,lock	2	
16	GB/T5783	M8×20 Bolt	2	
17	A30A5-10002	Bushing	2	
18	A30A5-10003	Rubber	2	
19	A30A5-10004	Rubber	2	
20	A30A5-10001	Plate	2	
21	GB/T889.1	M10 Nut	2	
22	A30H5-10001	Washer	2	
23	A30A5-10005	Washer	2	
24	GB/T5782	M10×110×30 Bolt	2	



Engine mount

FD30/35S-X24,FD30/35S-W1,FD30/35S-D2

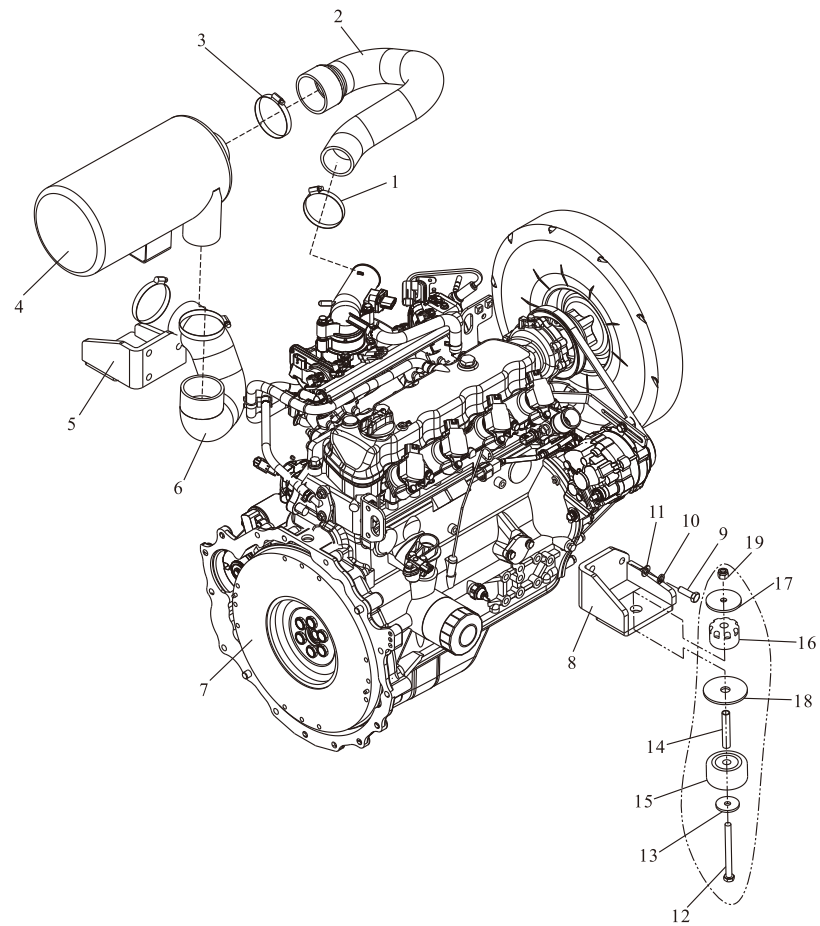
Item	Part No	Description	Q'ty	Remark
1	A30DB5-10001	B Hose, intake air	1	
-	A30DH5-10001	B Hose, intake air	1	FD30/35S-W1
-	A30DJ5-10001	Hose, intake air	1	FD30/35S-D2
2	JB/T 8870	80×60 Clip	4	
-	JB/T 8870	70×50 Clip	1	FD30/35S-W1
3	A30DA5-10200	Air cleaner	1	
4	GB/T5783	M8×20 Bolt	2	FD30/35S-X24
5	GB/T93	8 Washer,lock	2	
6	GB/T97.1	8 Washer	2	
7	A30DC5-10002	A Hose, intake air	1	
8	A30A5-11000	4D27G31 Engine	1	FD30/35S-X24
-	A30A5-14000	A495BPG-13 Engine	1	FD30/35S-X24
-	A40A5-10200	A498BPG-520 Engine	1	FD30/35S-X24
-	A30A5-10100	C490BPG-236 Engine	1	FD30/35S-X24
-	A30D5-10300	C240PKJ Engine	1	FD30/35S-W1
-	A30KA5-07020	498-05T3	1	FD30/35S-D2
9	GB/T5782	M10×110×30 Bolt	2	
10	A30A5-10005	Washer	2	
11	A30A5-10002	Bushing	2	
12	A30A5-10003	Rubber	2	
13	A30H5-10001	Washer	2	
14	A30A5-10004	Rubber	2	
15	A30A5-10001	Plate	2	
16	GB/T889.1	M10 Nut	2	



Engine mount

FY20,25-R1/FY20,25,30,35-R2

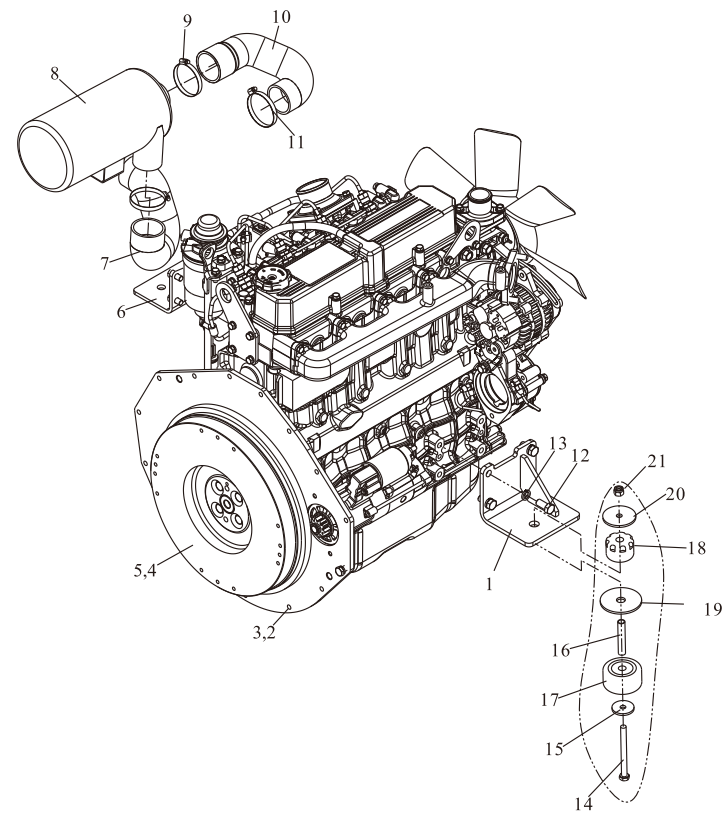
Item	Part No	Description	Q'ty	Remark
1	JB/T 8870	70×50 Clip	1	
2	A30DC5-10001	B Hose, intake air	1	
3	JB/T 8870	76×64 Clip	3	
4	A30DA5-10200	Air cleaner	1	
5	A30E5-10500	Engine mount R.H.	1	
6	A30DC5-10002	A Hose, intake air	1	
7	A30E5-10300	NISSAN K25 Engine	1	3-3. 5T
-	A20E5-10200	NISSAN K21 Engine	1	2-2. 5T
-	A30E5-10200	NISSAN K25 Engine	1	2-3. 5T
8	A30E5-10400	Engine mount L.H.	1	
9	GB/T5783	M10×30 Bolt	6	
10	GB/T93	10 Washer,lock	6	
11	GB/T97.1	10 Washer	6	
12	GB/T5782	M10×110×30 Bolt	2	
13	A30A5-10005	Washer	2	
14	A30A5-10002	Bushing	2	
15	A30A5-10003	Rubber	2	
16	A30A5-10004	Rubber	2	
17	A30A5-10001	Plate	2	
18	A30H5-10001	Washer	2	
19	GB/T889.1	M10 Nut	2	



Engine mount

FD30/35S-S14

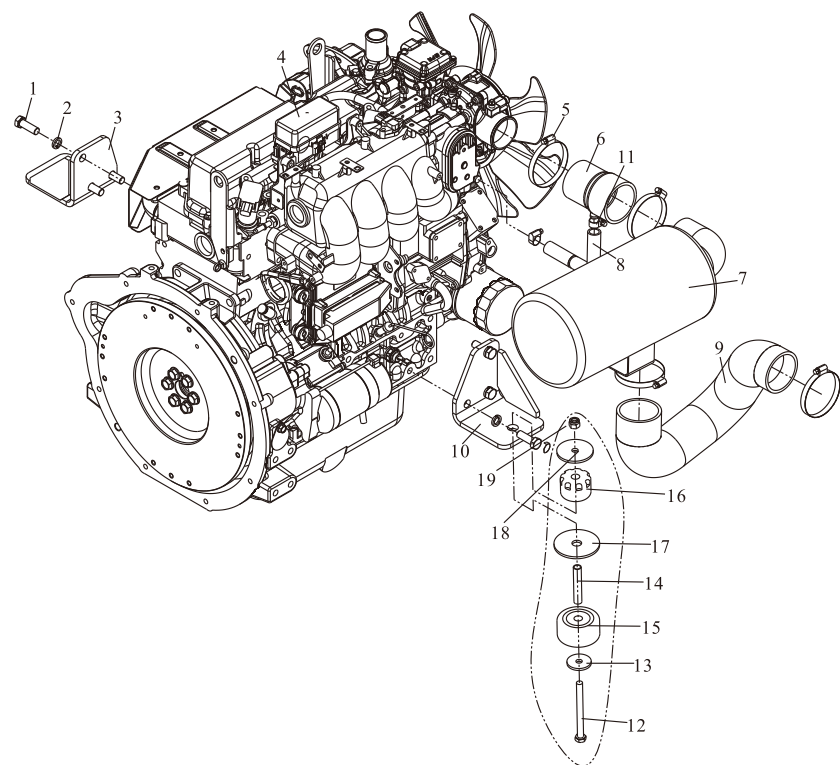
Item	Part No	Description	Q'ty	Remark
1	A30BA5-10400	Engine mount R.H	1	
2	GB/T5786	M10×1.25×20 Bolt	15	
3	GB/T93	10 Washer,lock	15	
4	A30BA5-10600	Flywheel shell	1	
5	A30DD5-10100	D04EG Engine	1	
6	A30BA5-10500	Engine mount R.H	1	
7	A30DC5-10002	A Hose, intake air.	1	
8	A30DA5-10200	Air cleaner	1	
9	JB/T8870	76×64 Clip	3	
10	A30DD5-10001	B Hose, intake air	1	
11	GB/T5780	80×60 Clip	1	
12	GB/T5783	M12×25 Bolt	8	
13	GB/T93	12 Washer,lock	8	
14	GB/T5782	M10×110×30 Bolt	2	
15	A30A5-10005	Washer	2	
16	A30A5-10002	Bushing	2	
17	A30A5-10003	Rubber	2	
18	A30A5-10004	Rubber	2	
19	A30H5-10001	Washer	2	
20	A30A5-10001	Plate	2	
21	GB/T889.1	M10 Nut	2	



Engine mount

FY30/35S-KB1

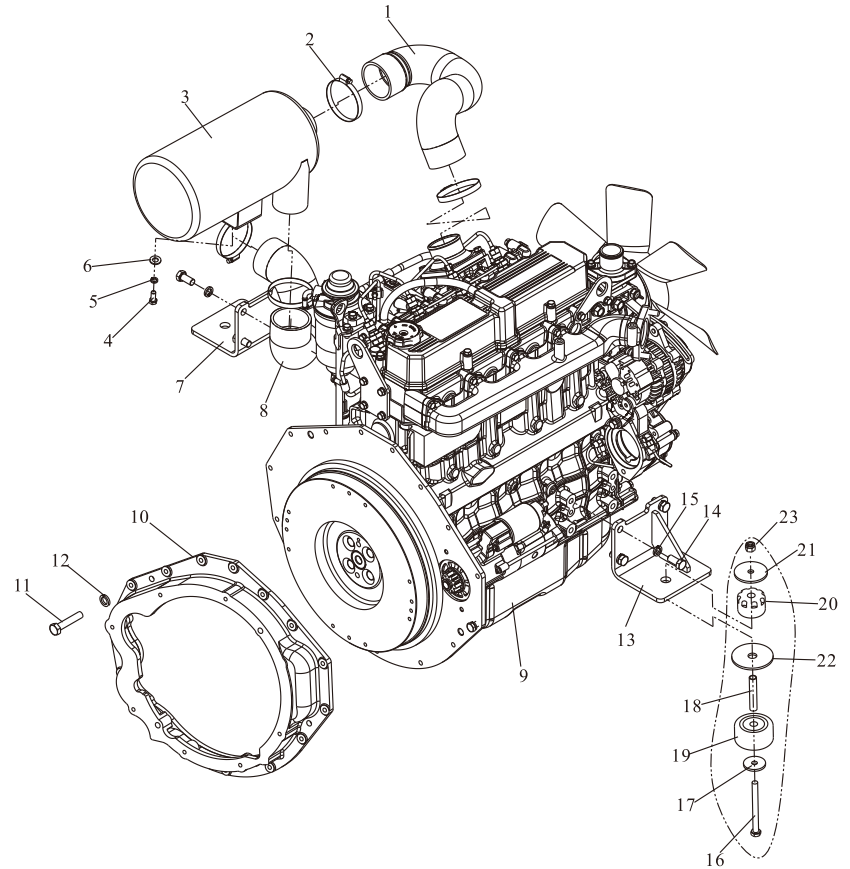
Item	Part No	Description	Q'ty	Remark
1	GB/T5785	M12×1.25×35 Bolt	6	
2	GB/T93	12 Washer,lock	6	
3	A30DE5-10200	Engine mount R.H	1	
4	A30DE-10400	W2503 Engine	1	
5	JB/T8870	80×60 Clip	4	
6	A30DE5-10001	B Hose, intake air	1	
7	A30DE5-10100	Air cleaner	1	
8	TG000-13020	φ 12×200 Hose	1	
9	A30DE5-10002	A Hose, intake air.	1	
10	A30DE5-10300	Engine mount R.H	1	
11	GB/T5780	16×10 Clip	2	
12	GB/T5782	M10×110×30 Bolt	2	
13	A30A5-10005	Washer	2	
14	A30A5-10002	Bushing	2	
15	A30A5-10003	Rubber	2	
16	A30A5-10004	Rubber	2	
17	A30H5-10001	Washer	2	
18	A30A5-10001	Plate	2	
19	GB/T889.1	M10 Nut	2	



Engine mount

Item	Part No	Description	Q'ty	Remark
1	A30DF5-10001	B Hose, intake air	1	
2	JB/T 8870	80×60 Clip	4	
3	A30DA5-10200	Air cleaner	1	
4	GB/T5783	M8×20 Bolt	2	
5	GB/T93	8 Washer,lock	2	
6	GB/T97.1	8 Washer	2	
7	A30BA5-10500	Engine mount R.H.	1	
8	A30DC5-10002	A Hose, intake air	1	
9	A30BA5-10100	S4S-408 Engine	1	FD20~35-S2
-	A30BA5-10200	S4S-474 Engine	1	FD20~35-S5
10	A30BA5-10600	Flywheel shell	1	
11	GB/T5786	M10×1.25 ×20 Bolt	15	
12	GB/T93	10 Washer,lock	15	
13	A30BA5-10400	Engine mount L.H.	1	
14	GB/T5783	M12×25 Bolt	8	
15	GB/T93	12 Washer,lock	8	
16	GB/T5782	M10×110×30 Bolt	2	
17	A30A5-10005	Washer	2	
18	A30A5-10002	Bushing	2	
19	A30A5-10003	Rubber	2	
20	A30A5-10004	Rubber	2	
21	A30A5-10001	Plate	2	
22	A30H5-10001	Washer	2	
23	GB/T889.1	M10 Nut	2	

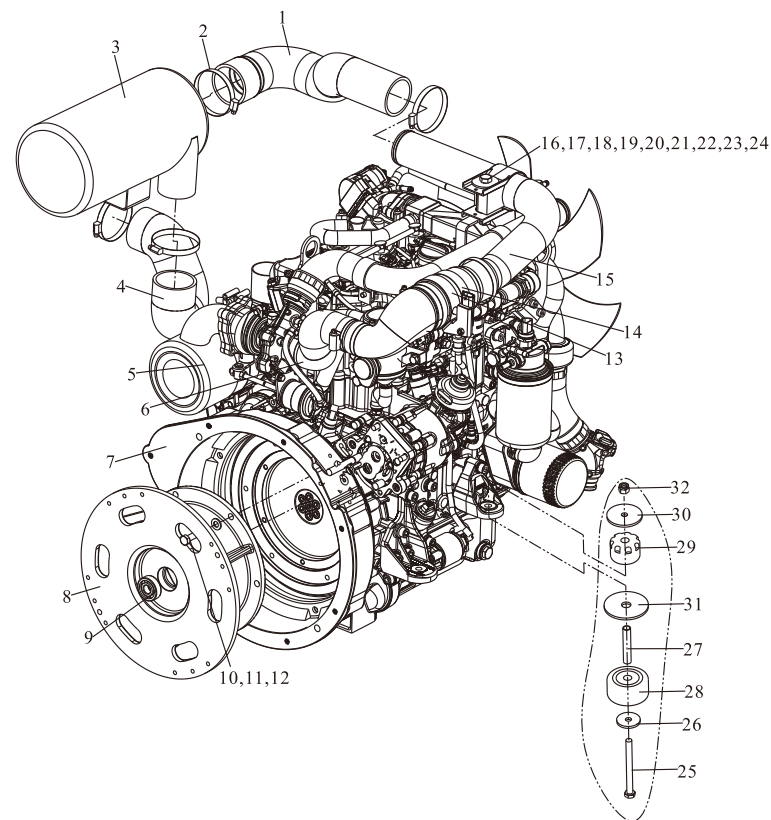
FD30,35-S2/S5



Engine mount

FD30/35S-H3

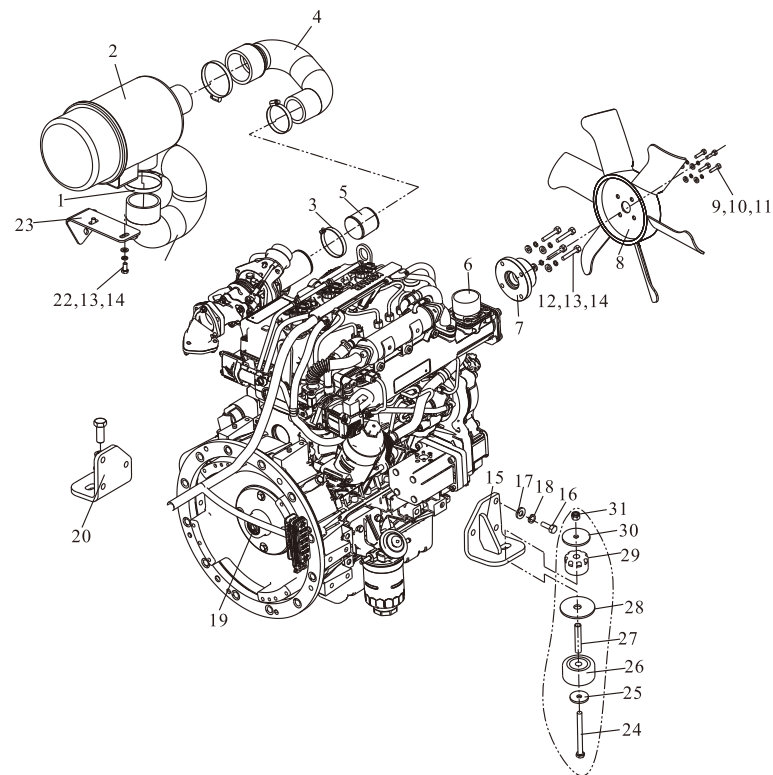
Item	Part No	Description	Q'ty	Remark
1	A30DI5-10001	B Hose, intake air	1	
2	JB/T 8870	80×60 Clip	3	
3	A30DA5-10200	Air cleaner	1	
4	A30DC5-10002	A Hose, intake air	1	
5	A30AA5-10600	Heat shield	1	
6	A30AA5-10200	(3H50TIC) Engine	1	
7	A30AA5-10300	SAE5 The transfer disk	1	
8	A30AA5-10500	Connection disk	1	
9	GB/T276	6302-2Z Bearing	1	
10	GB/T5783	M10×30 Bolt	14	
11	GB/T93	10 Washer,lock	14	
12	GB/T97.1	10 Washer	14	
13	A30AA5-10003	C Hose, intake air	1	
14	JB/T8870	T100×80 Clip	1	
15	A30AA5-10002	Intake steel pipe	1	
16	S30F3-80002	Clamps	1	
17	S30F3-80004	Rubber	1	
18	S30F3-80005	Pad	1	
19	GB/T5782	M12×75 Bolt	1	
20	GB/T97.1	12 Washer	1	
21	GB/T93	12 Washer,lock	1	
22	GB/T6170	M12 Nut	1	
23	A30AA5-10004	Inletstent	1	
24	S30F3-80003	Sleeve	1	
25	GB/T5782	M10×110×30 Bolt	2	
26	A30A5-10005	Washer	2	
27	A30A5-10002	Bushing	2	
28	A30A5-10003	Rubber	2	
29	A30A5-10004	Rubber	2	
30	A30A5-10001	Plate	2	



Engine mount

Item	Part No	Description	Q'ty	Remark
1	JB/T 8870	80×60 Clip	3	
2	A30DL5-10100	Air cleaner	1	FD30/35S-KL1
-	A30DK5-10100	Air cleaner	1	FD30/35S-DS1
3	A30DA5-10200	64×44 Clip	2	
4	A30DK5-10002	B Hose, intake air	1	FD30/35S-KL1
-	A30DL5-10002	B Hose, intake air	1	FD30/35S-DS1
5	A30BN5-10002	Intake take-over	1	
6	A30BN5-11000	KDI1903TCR Engine	1	FD30/35S-KL1
-	A30DL5-11000	D24 Engine	1	FD30/35S-DS1
-	A30DL5-12000	D24 Engine	1	FD30/35S-DS1
7	A30BN5-10003	Fan base	1	FD30/35S-KL1
8	A30BN5-10004	φ 420 Drain Fan	1	FD30/35S-KL1
-	A30DL5-10002	Fan base	1	FD30/35S-DS1
-	A30DL5-10003	φ 420 Drain Fan	1	FD30/35S-DS1
9	GB/T5783	M6×20 Bolt	4	
10	GB/T93	6 Washer,lock	4	
11	GB/T97.1	6 Washer	4	
12	GB/T5783	M8×30 Bolt	4	FD30/35S-KL1
13	GB/T97.1	8 Washer,lock	6	FD30/35S-KL1
14	GB/T97.1	8 Washer	6	FD30/35S-DS1
15	A40R5-10100L	Engine mount L.H	1	FD30/35S-KL1
-	A30DL5-10200L	Engine mount L.H	1	FD30/35S-DS1
16	GB/T5783	M12×25 Bolt	6	
17	GB/T93	12 Washer,lock	6	
18	GB/T97.1	12 Washer	6	
19	A30BD5-10003	6202	1	FD30/35S-KL1
20	A40R5-10100R	EnginemountR.H.	1	FD30/35S-KL1
-	A30DL5-10200R	EnginemountR.H.	1	FD30/35S-DS1
21	A30DK5-10001	A Hose, intake air	1	
22	GB/T5783	M8×20 Bolt	2	

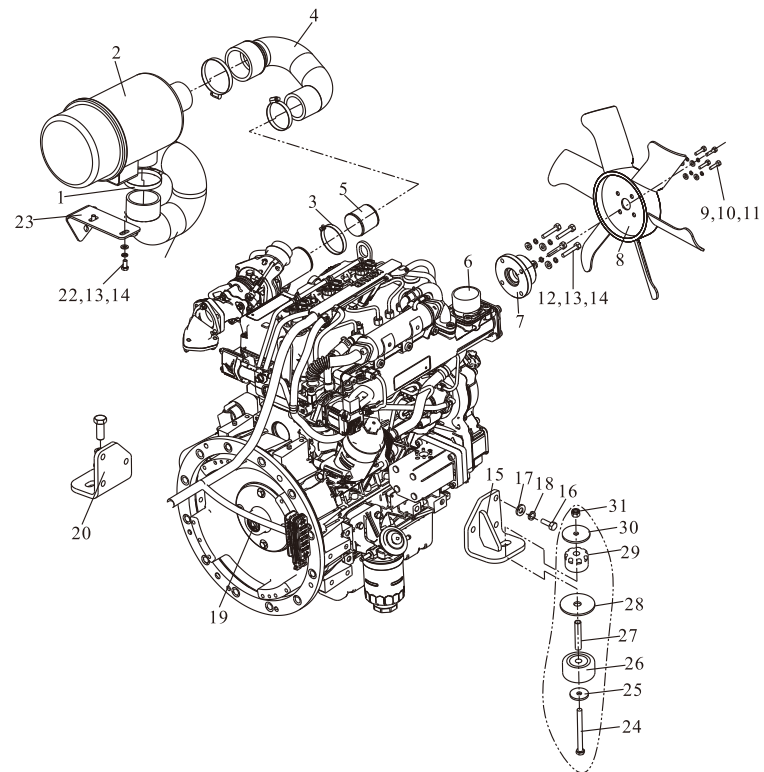
FD30/35S-KL1



Engine mount

FD30/35S-KL1,FD30/35S-DS1

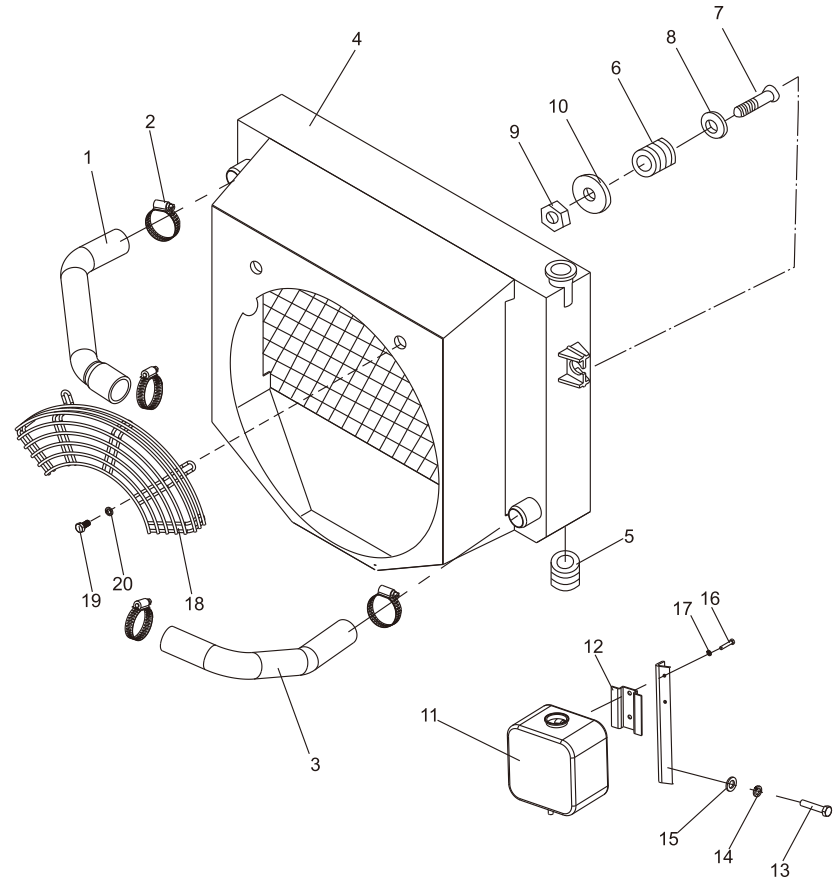
Item	Part No	Description	Q'ty	Remark
23	A30DK5-10200	Emptyfilterholder	1	
24	GB/T5782	10×110×30 Bolt	2	FD30/35S-KL1/DS1
25	A30A5-10005	Washer	2	FD30/35S-KL1/DS1
26	A30A5-10004	Rubber	2	FD30/35S-KL1/DS1
27	A30A5-10003	Bushing	2	FD30/35S-KL1/DS1
28	A30H5-10001	Washer	2	FD30/35S-KL1/DS1
29	A30BN5-11000	Rubber	2	FD30/35S-KL1/DS1
30	A30DL5-11000	Plate	2	FD30/35S-KL1/DS1
31	GB/T889.1	M10 Nut	2	FD30/35S-KL1/DS1



Cooling system

Item	Part No	Description	Q'ty	Remark
1	A30DA5-40001	Hose rubber	1	FD30/35S-Y3/D2
-	A30DB5-40001	Hose rubber	1	FD30/35S-X24
-	A30DC5-40001	Hose rubber	1	FY30/35S-R2
-	A30DD5-40001	Hose rubber	1	FD30/35S-S14
-	A30DE5-40001	Hose rubber	1	FY30/35S-KB1
-	A30DF5-40001	Hose rubber	1	FY30/35S-S2/S5
-	A30DF5-40003	Hose rubber	1	FY30/35S-S2/S5
-	A30DH5-40001	B Hose rubber	1	FD30/35S-W1
2	JB/T8870	50×32 Clip	4	
3	A30DA5-40002	Hose rubber	1	FD30,35-Y3
-	A30DB5-40002	Hose rubber	1	FD30/35S-X24
-	A30DC5-40002	Hose rubber	1	FY30/35S-R2
-	A30DD5-40002	Hose rubber	1	FD30/35S-S14
-	A30DE5-40002	Hose rubber	1	FY30/35S-KB1
-	A30DF5-40002	Hose rubber	1	FY30/35S-S2/S5
-	A30DH5-40002	Hose rubber	1	FD30,35-W1
-	A30DJ5-40002	Hose rubber	1	FD30,35-D2
4	A30DA5-40100	Radiator	1	FD30,35-Y3
-	A30DA5-40200	Radiator	1	FD30,35-Y2
-	A30DB5-40100	Radiator	1	FD30/35S-X24
-	A30DC5-40100	Radiator	1	FY30/35S-R2
-	A30DC5-40200	Radiator	1	FY30/35S-R2
-	A30DC5-40400	Radiator	1	FY30/35S-R2
-	A30DD5-40100	Radiator	1	FD30/35S-S14
-	A30DE5-40100	Radiator	1	FY30/35S-KB1
-	A30DF5-40100	Radiator	1	FY30/35S-S2/S5
-	A30DH5-40100	Radiator	1	FD30/35S-W1
-	A30DJ5-40100	Radiator	2	FD30/35S-D2
5	A30A5-40003	I Rubber	2	
6	A30A5-40004	II Rubber	2	

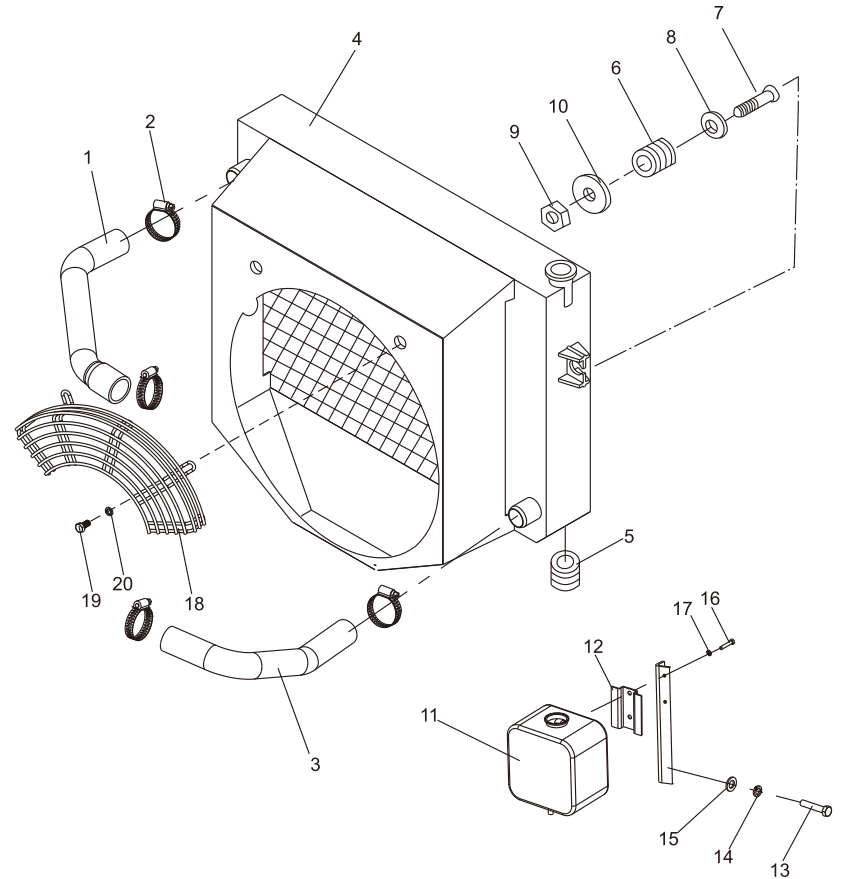
FD30/35S-Y3/D2/X24/S14/W1/S2/S5,FY30/35S-KB1/R2



Cooling system

Item	Part No	Description	Q'ty	Remark
7	A30A5-40005	Bolt	2	
8	A30A5-20003	Plate	2	
9	A30A5-20003	M8 Nut	2	
10	GB/T97.1	8 Washer	2	
11	GB/T93	Auxiliary radiator	1	
12	GB/T97.1	Auxiliary radiator bracket	1	
13	GB/T5783	M6×10 Bolt	2	
14	GB/T93	6 Washer,lock	2	
15	GB/T97.1	Fan retainer	2	
16	GB/T5783	M8×16 Bolt	2	
17	GB/T93	8 Washer,lock	2	
18	A30E5-40110	Fan retainer	1	
19	GB/T5783	M8×16 Bolt	2	
20	GB/T93	8 Washer,lock	2	

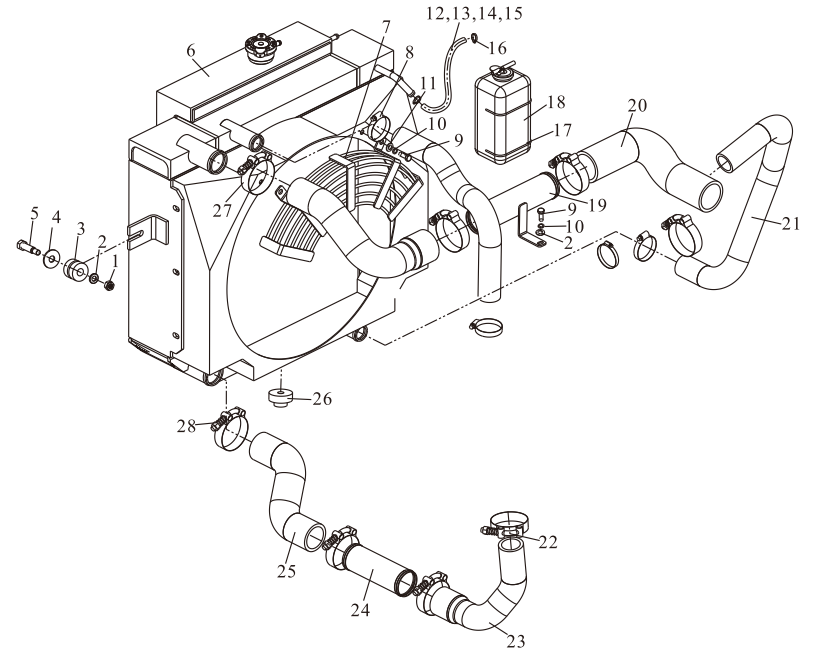
FD30/35S-Y3/D2/X24/S14/W1/S2/S5,FY30/35S-KB1/R2



Cooling system

Item	Part No	Description	Q'ty	Remark
1	GB/T889. 1	M8 Nut	2	
2	GB/T97. 1	8 Washer	5	
3	A30A5-40004	II Rubber	2	
4	A30A5-20003	Plate	2	
5	A30A5-40005	Bolt	2	
6	A30DL5-40100	Radiator	1	
7	A30E5-40110	Fan retainer	1	
8	JB/T8870	50×32 Clip	4	
9	GB/T5783	M8×16 Bolt	3	
10	GB/T93	8 Washer,lock	3	
11	A30DL5-40001	Hose rubber	1	
12	TG000-10240	φ 10×2400 Hose	1	
13	TQ000-08025	8×250 Band	2	
14	GJT-16-00	union	2	
15	JB/T982	14 Packing	2	
16	JB/T8870	16×10 Clip	4	
17	A15L5-40211	Auxiliary radiator bracket	1	
18	A45L5-40200	Auxiliary radiator	1	
19	A30DL5-40008	Cold air outlet steel pipe	1	
20	A30DL5-40007	II Cold air outlet steel pipe	1	
21	A30DL5-40002	Hose rubber	1	
22	JB/T8870	T 52×45 Clip	1	
23	A30DL5-40003	I Cold air outlet steel pipe	1	
24	A30DL5-40005	Intake	1	
25	A30DL5-40004	II Intake	1	
26	A30A5-40003	I Rubber	2	
27	JB/T8870	T 65×57 Clip	7	
28	A30DL5-40006	I Cold air outlet steel pipe	1	

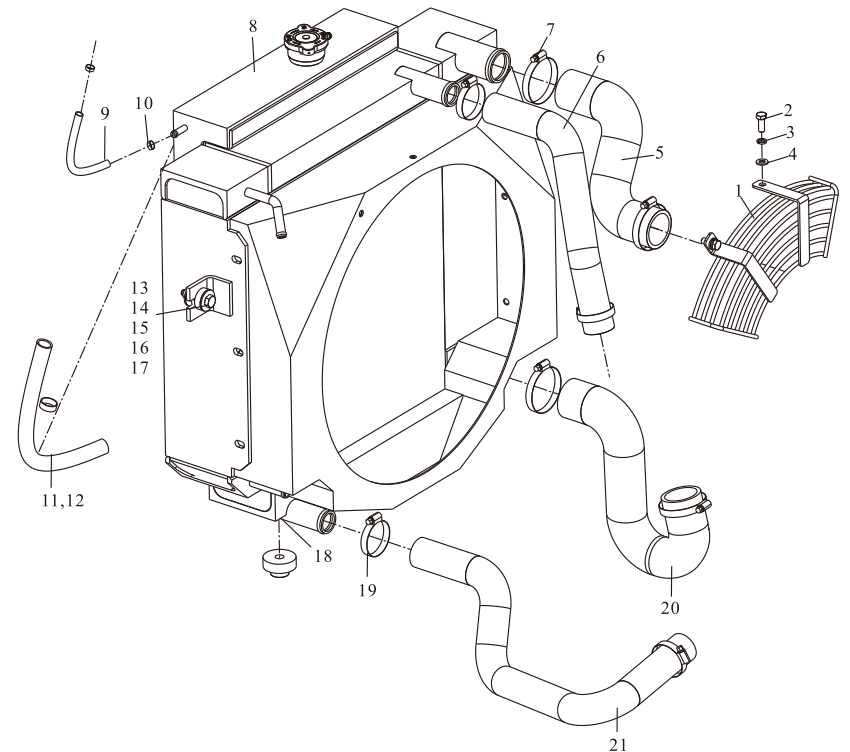
FD30/35S-DS1



Cooling system

Item	Part No	Description	Q'ty	Remark
1	A30AA5-40200	Fan retainer	1	
2	GB/T5783	M8×20 Bolt	2	
3	GB/T97.1	8 Washer	2	
4	GB/T93	8 Washer,lock	2	
5	A30DI5-40003	Uppertrachea	1	
6	A30DI5-40001	Hose rubber	1	
7	JB/T8870	64×44 Clip	4	
8	A30DI5-40100	Radiator	1	
9	TG000-08100	φ 8×1000 Hose	1	
10	JB/T8870	16x10 Clip	2	
11	TG000-16150	φ 16×1500 Hose	1	
12	JB/T8870	32×20 Clip	2	
13	A30A5-40005	Bolt	2	
14	A30A5-20003	Plate	2	
15	A30A5-40004	II Rubber	2	
16	GB/T96	8 Largewashers	2	
17	GB/T889.1	M8 Nut	1	
18	A30A5-40003	I Rubber	2	
19	JB/T8870	50×32 Clip	4	
20	A30DI5-40004	Lowertrachea	1	
21	A30DI5-40002	Hoserubber	1	
22	A30AA5-40010	Steel pipe	1	

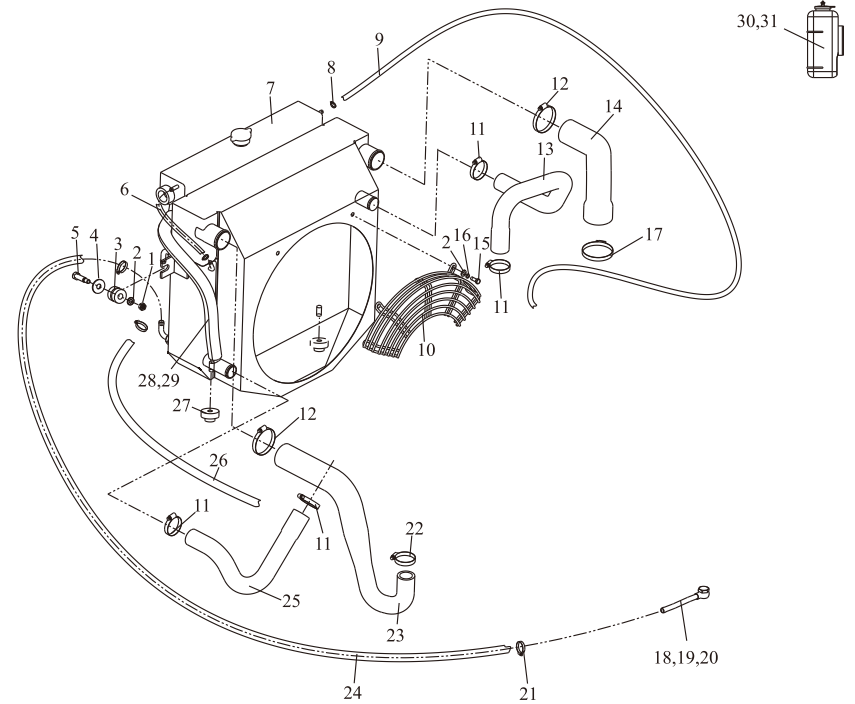
FD30/35S-H3



Cooling system

Item	Part No	Description	Q'ty	Remark
1	GB/T889. 1	M8 Nut	2	
2	GB/T97. 1	8 Washer	4	
3	A30A5-40004	II Rubber	2	
4	A30A5-20003	Plate	2	
5	A30A5-40005	Bolt	2	
6	TG000-08025	φ 8×250 Hose	1	
7	A30DK5-40100	Radiator	1	
8	JB/T8870	16×10 Clip	4	
9	TG000-08025	φ 8×1200 Hose	1	
10	A30BN5-40110	Fan retainer	1	
11	JB/T8870	φ 50×32Clip	4	
12	JB/T8870	T 65×75 Clip	3	
13	A30DK5-40003	Hose rubber	1	
14	A30DK5-40002	Coldairoutletsteelpipe	1	
15	GB/T5783	M8×16 Bolt	2	
16	GB/T93	8 Washer,lock	2	
17	JB/T8870	T 75×67 Clip	1	
18	A30HG5-40001	HingeBolts	2	
19	GJT-492-00	HingedLinkHead	2	
20	JB/T982	14 Packing	4	
21	JB/T8870	25×16 Clip	4	
22	JB/T8870	T 46×38 Clip	1	
23	A30DK5-40001	Intake	1	
24	TG000-12180	φ 12×1800 Hose	1	
25	A30DK5-40004	Hose rubber	1	
26	TG000-12200	φ 12×2000 Hose	2	
27	A30A5-40003	I Rubber	2	
28	A30DK5-40005	Tank takeover	1	
29	JB/T8870	40×25 Clip	2	
30	A15L5-40211	Auxiliary radiator bracket	1	

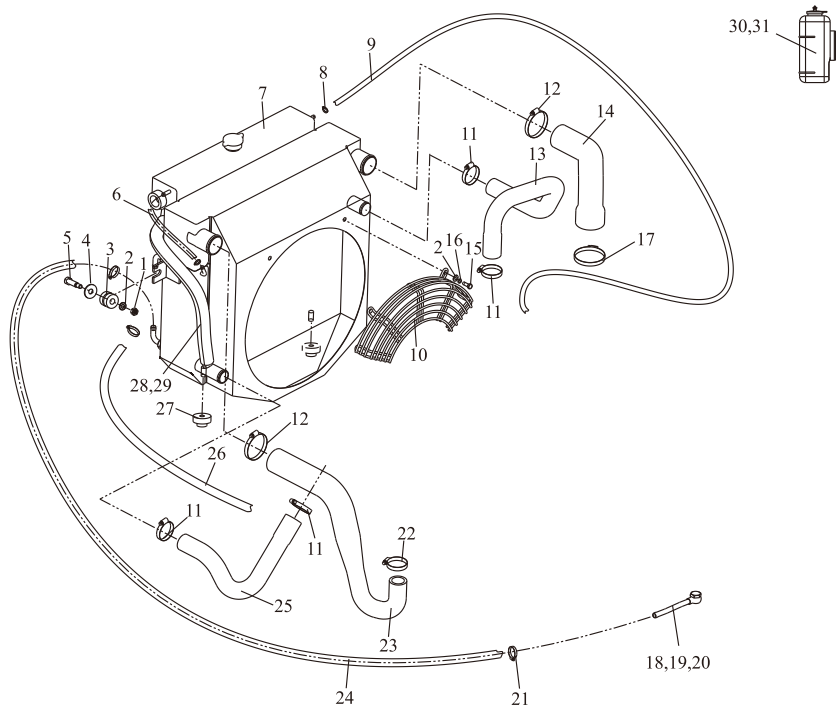
FD30/35S-KL1



Cooling system

Item	Part No	Description	Q'ty	Remark
31	A45L5-40200	Auxiliary radiator	1	

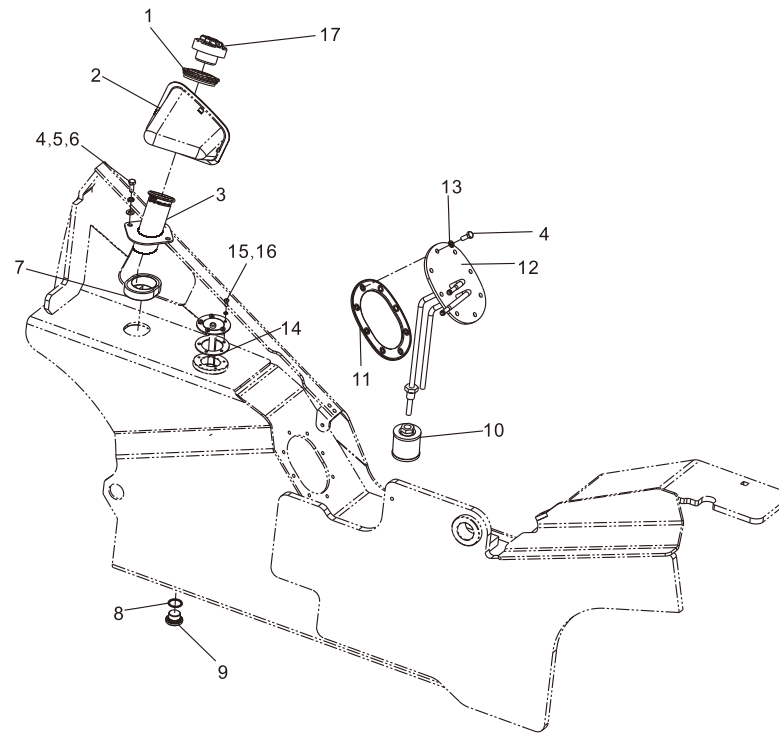
FD30/35S-KL1



Fuel system

FD20,25-Y1/FD20,25,30,35-Y2/FD30,35-Y3

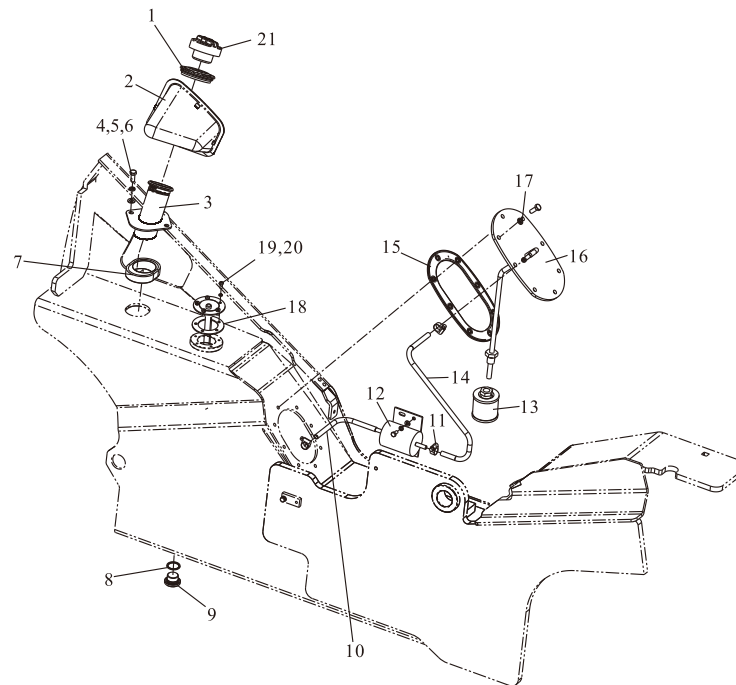
Item	Part No	Description	Q'ty	Remark
1	A22B5-30003	Rubber boot	1	
2	A30DA5-30001	Refueling cover	1	
3	A30DA5-30100	Filler tube ass'y	1	
4	GB/T 5783	M8×20 Bolt	10	
5	GB/T 93	8 Washer,lock	2	
6	GB/T 97.1	8 Washer	2	
7	A22B5-30002	Sealant block	1	
8	A30A4-50004	ED 26 Washer	1	
9	A30A4-50002	Plug,drain	1	
10	A30A5-30400	Diesel Filter	1	
11	A30DA5-30002	Packing	1	
12	A30DA5-30300	Plate	1	
13	JB/T 982	8 Cushion	8	
14	A30A5-30002	Packing	1	
15	GB/T 823	M5×12 Screw	5	
16	GB/T 93	5 Washer,lock	5	
17	A30A5-30100	Cap	1	



Fuel system

FY20,25-R1/FY20,25,30,35-R2

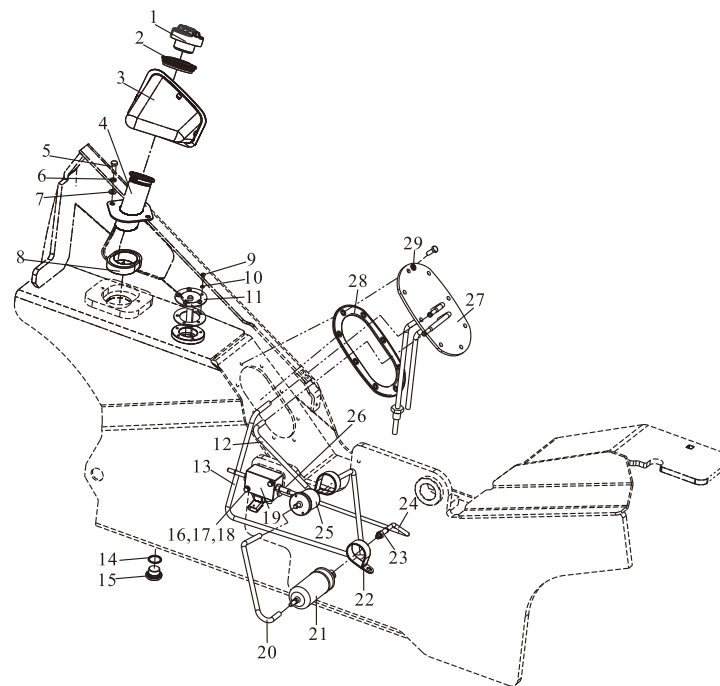
Item	Part No	Description	Q'ty	Remark
1	A22B5-30003	Rubber boot	1	
2	A30DA5-30001	Refueling cover	1	
3	A30DA5-30100	Filler tube ass'y	1	
4	GB/T 5783	M8×20 Bolt	10	
5	GB/T 93	8 Washer,lock	2	
6	GB/T 97.1	8 Washer	2	
7	A22B5-30002	Sealant blo	1	
8	A30A4-50004	D 26 Washer	1	
9	A30A4-50002	Plug,drain	1	
10	TG000-08024	φ 8×240 Packing	1	
11	JB/T 8870	16×10 Clip	3	
12	A30E5-30200	Fuel filter	1	
13	A30A5-30400	Diesel Filter	1	
14	TG000-08044	φ 8×440 Packing	1	
15	A30DA5-30002	Packing	1	
16	A30DC5-30100	Plate	1	
17	JB/T 982	8 Cushion	8	
18	A30A5-30002	Packing	1	
19	GB/T 823	M5×12 Scrw	5	
20	GB/T 93	5 Washer,lock	5	
21	A30A5-30100	Cap	1	



Fuel system

FY30/35S-KB1

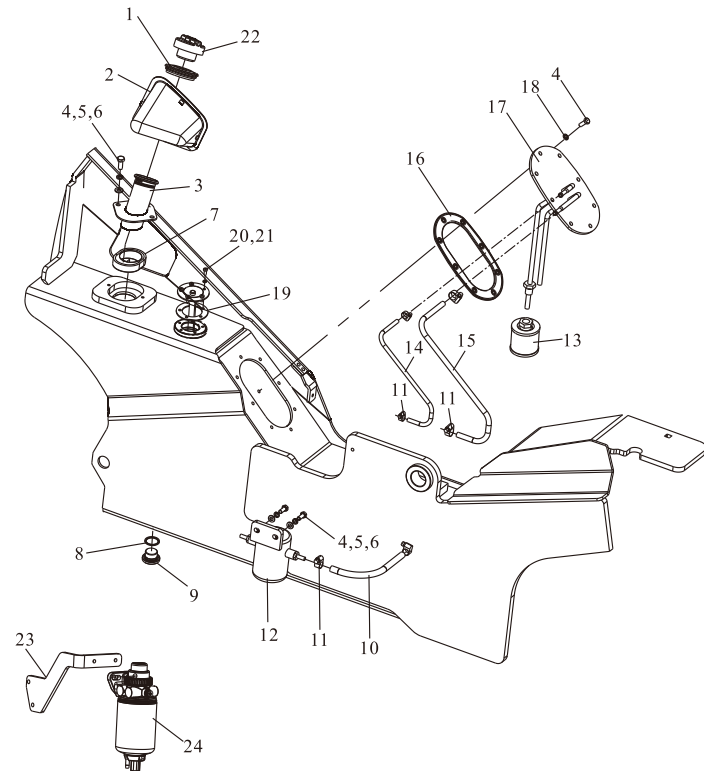
Item	Part No	Description	Q'ty	Remark
1	A30A5-30100	Cap	1	
2	A22B5-30003	Rubber sheath	1	
3	A30DA5-30001	Refueling cover	1	
4	A30DA5-30100	Filler tube ass'y	1	
5	GB/T 5783	M8×20 Bolt	5	
6	GB/T 97.1	8 Washer	2	
7	GB/T 93	8 Washer,lock	2	
8	A22B5-30002	Sealant blo	1	
9	GB/T 823	M5×12 Screw	5	
10	GB/T 93	5 Washer,lock	5	
11	A30A5-30002	Packing	1	
12	TG000-08030	I φ 8×300 Packing	1	CARB
13	TG000-08103	II φ 8×1030 Packing	1	CARB
14	A30A4-50004	ED 26 Washer	1	
15	A30A4-50002	Plug,drain	1	
16	GB/T 5783	M6×50 Bolt	2	
17	GB/T 93	6 Washer,lock	2	
18	GB/T 97.1	6 Washer	2	
19	A30DE5-30100	FPM	1	
20	TG000-08037	III φ 8×370 Packing	1	CARB
21	A30DE5-30200	Electronic fuel pump	1	
22	D30A1-11002	Tube clip	2	
23	A30DE5-30010	Joint	3	
24	TG000-08060	IV φ 8×600 Fuel line	1	
25	A30DE5-30300	Fuel rough filtration	1	
26	A30BJ5-30020	Joint	5	
27	A30DA5-30300	Cover assembly	1	
28	A30DA5-30002	Cover pad	1	
29	JB/T982	8 Packing	8	



Fuel system

FD30,35-S2/S5,FD30/35S-S14

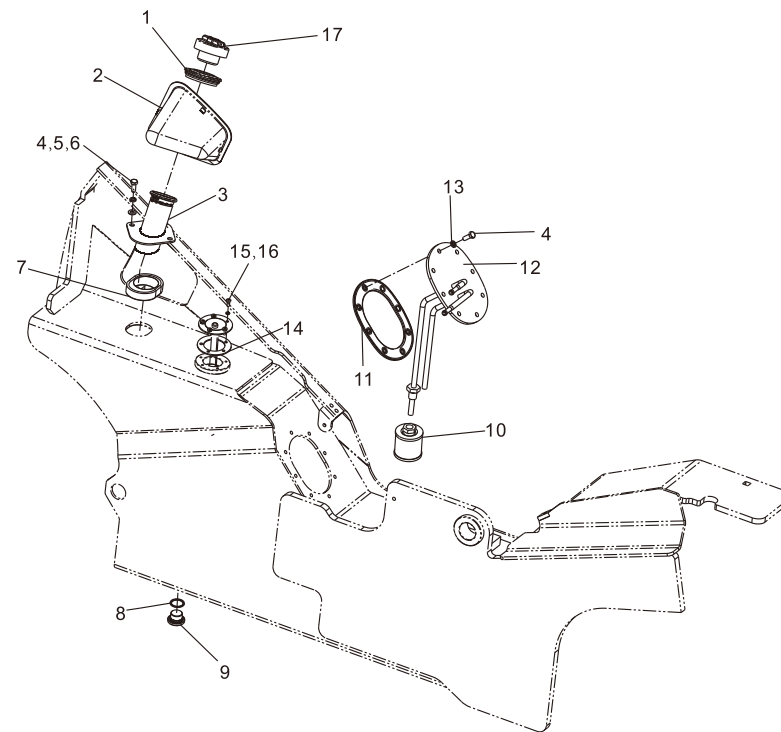
Item	Part No	Description	Q'ty	Remark
1	A22B5-30003	Rubber boot	1	
2	A30DA5-30001	Refueling cover	1	
3	A30DA5-30100	Filler tube ass'y	1	
4	GB/T 5783	M8×20 Bolt	12	
5	GB/T 93	8 Washer,lock	4	
6	GB/T 97.1	8 Washer	4	
7	A22B5-30002	Sealant blo	1	
8	A30A4-50004	ED 26 Washer	1	
9	A30A4-50002	Plug,drain	1	
10	TG000-08080	φ 8×800 Packing	1	
-	TG000-08080	φ 8×600 Packing	1	FD30/35S-S14
11	JB/T 8870	16×10 Clip	6	
12	A50A5-30200	Diesel Filter	1	
13	A30A5-30400	Diesel Filter	1	
14	TG000-08100	φ 8×1000 Packing	1	
15	TG000-08120	φ 8×1200 Packing	1	
16	A30DA5-30002	Packing	1	
17	A30DC5-30100	Plate	1	
18	JB/T 982	8 Cushion	8	
19	A30A5-30002	Packing	1	
20	GB/T 823	M5×12 Screw	5	
21	GB/T 93	5 Washer,lock	5	
22	A30A5-30100	Cap	1	
23	A30DD5-30001	Mounting board	1	FD30/35S-S14
24	A30DD5-30002	Separator	1	FD30/35S-S14



Fuel system

Item	Part No	Description	Q'ty	Remark
1	A22B5-30003	Rubber boot	1	
2	A30DA5-30001	Refueling cover	1	
3	A30DA5-30100	Filler tube ass'y	1	
4	GB/T 5783	M8×20 Bolt	10	
5	GB/T 93	8 Washer,lock	2	
6	GB/T 97.1	8 Washer	2	
7	A22B5-30002	Sealant block	1	
8	A30A4-50004	26 Washer	1	
9	A30A4-50002	lug,drain	1	
10	A30D5-30100	Separator		
11	A30A5-30400	Diesel Filter	1	
12	A30DA5-30002	Packing	1	
13	A30DA5-30300	Plate	1	
14	JB/T 982	8 Cushion	8	
15	A30A5-30002	Packing	1	
16	GB/T 823	M5×12 Screw	5	
17	GB/T 93	5 Washer,lock	5	
18	A30A5-30100	Cap	1	

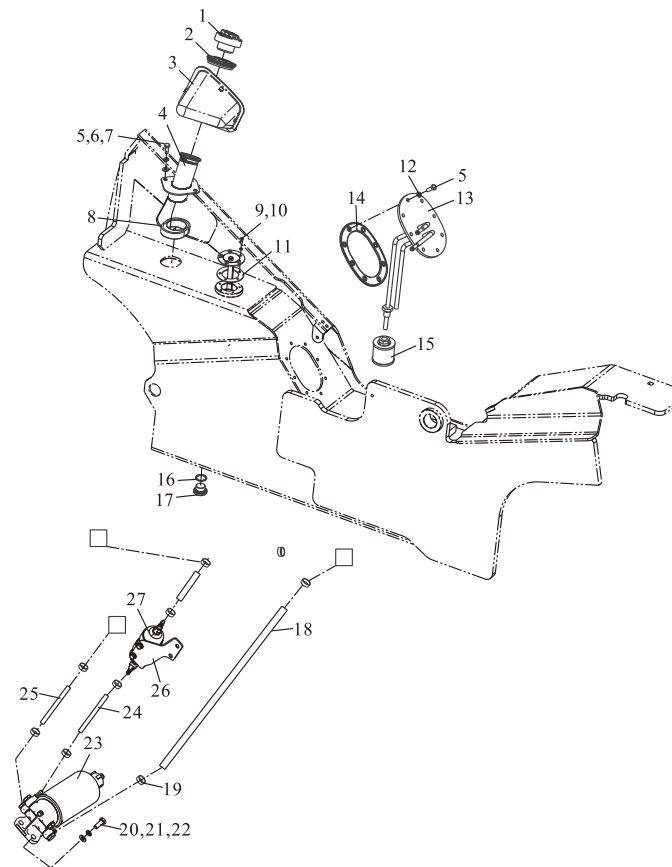
FD30/35S-W1



Fuel system

FD30/35S-H3

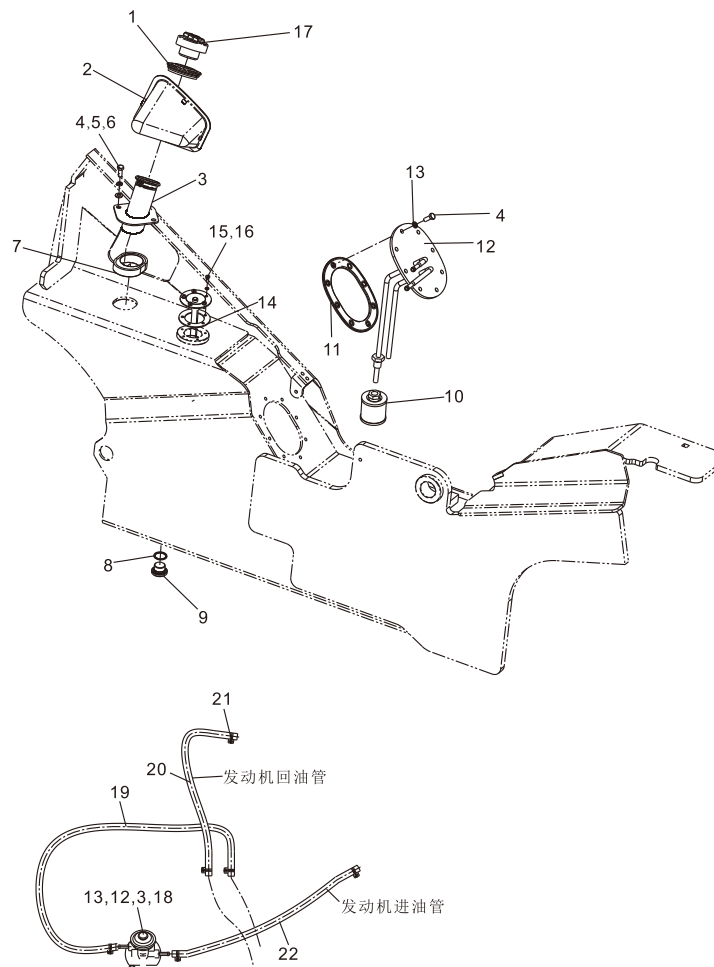
Item	Part No	Description	Q'ty	Remark
1	A30A5-30100	Cap	1	
2	A22B5-30003	Rubber sheath	1	
3	A30DA5-30001	Refueling cover	1	
4	A30DA5-30100	Filler tube ass'y	1	
5	GB/T 5783	M8×20 Bolt	10	
6	GB/T 97.1	8 Washer	2	
7	GB/T 93	8 Washer,lock	2	
8	A22B5-30002	Sealant block	1	
9	GB/T 823	M5×12 Screw	5	
10	GB/T 93	5 Washer,lock	5	
11	A30A5-30002	Packing	1	
12	JB/T982	8 Packing	8	
13	A30DA5-30300	Cover assembl	1	
14	A30DA5-30002	Cover pad	1	
15	A30A5-30400	Diesel Filter	1	
16	A30A4-50004	26 Washer	1	
17	A30A4-50002	Plug,drain	1	
18	TG000-08100	φ 8×1000 Packing	1	
19	JB/T8870	20×12 Clip	8	
20	GB/T 5783	M10×25 Bolt	2	
21	GB/T 93	10 Washer,lock	2	
22	GB/T 97.1	10 Washer	2	
23		Separator	1	
24	TG000-08020	IV φ 8×200 Fuel line	1	
25	TG000-08040	IV φ 8×400 Fuel line	1	
26	A30AA5-30001	Oil pump support	1	
27		Output pump	1	



Fuel system

Item	Part No	Description	Q'ty	Remark
1	A22B5-30003	Rubber boot	1	
2	A30DA5-30001	Refueling cover	1	
3	A30DA5-30100	Filler tube ass'y	1	
4	GB/T 5783	M8×20 Bolt	12	
5	GB/T 93	8 Washer,lock	4	
6	GB/T 97.1	8 Washer	4	
7	A22B5-30002	Sealant block	1	
8	A30A4-50004	26 Washer	1	
9	A30A4-50002	Plug,drain	1	
10	A30A5-30400	Diesel Filter	1	
11	A30DA5-30002	Packing	1	
12	A30DA5-30300	Plate	1	
13	JB/T 982	8 Cushion	10	
14	A30A5-30002	Packing	1	
15	GB/T 823	M5×12 Screw	5	
16	GB/T 93	5 Washer,lock	5	
17	A30A5-30100	Cap	1	
18	A30BN5-30100		1	
19	TG000-08080	φ 8×800 Packing	1	
20	TG000-08180	φ 8×1000 Packing	1	
21	JB/T8870	10×16 Clip	6	
22	TG000-08120	φ 8×1200 Packing	1	

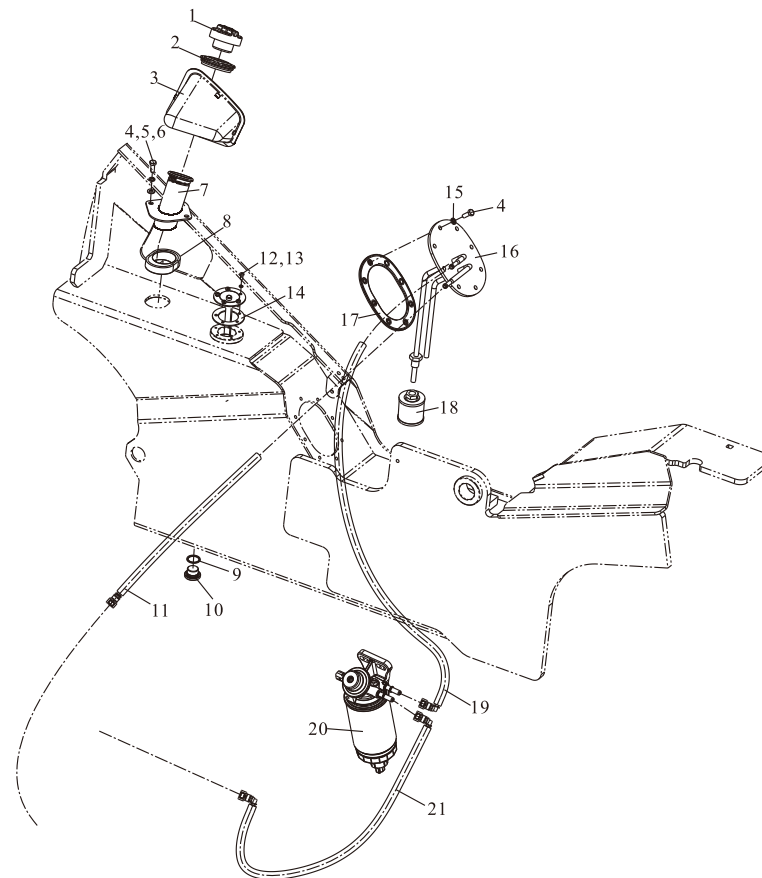
FD30/35S-KL1



Fuel system

FD30/35S-DS1

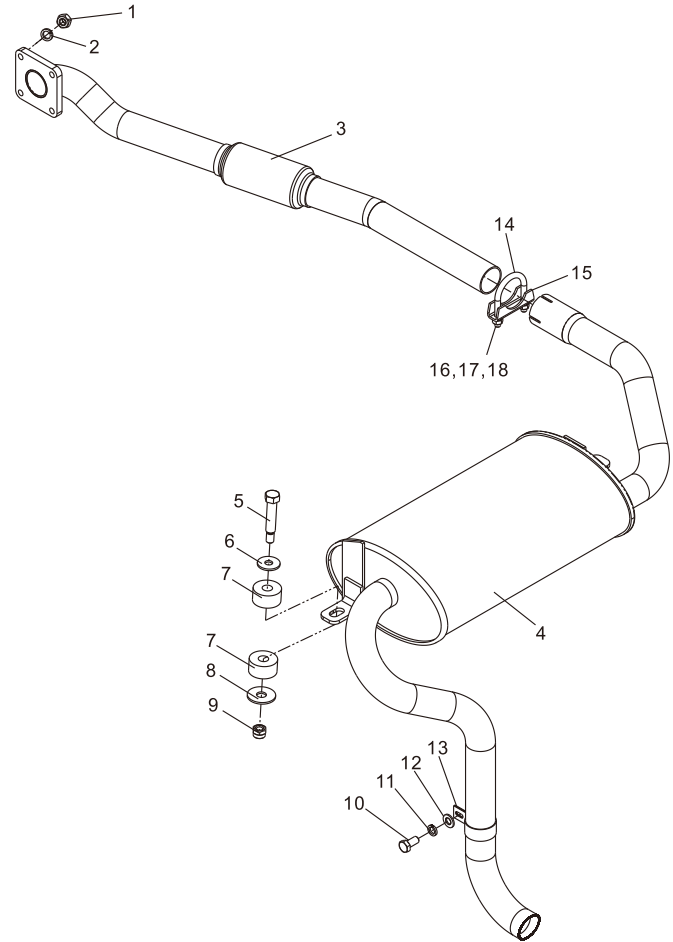
Item	Part No	Description	Q'ty	Remark
1	A30A5-30100	Cap	1	
2	A22B5-30003	Rubber sheath	1	
3	A30DA5-30001	Refueling cover	1	
4	GB/T 5783	M8×20 Bolt	10	
5	GB/T 93	8 Washer,lock	2	
6	GB/T 97.1	8 Washer	2	
7	A30DA5-30100	Filler tube ass'y	1	
8	A22B5-30002	Sealant blo	1	
9	A30A4-50004	26 Washer	1	
10	A30A4-50002	Plug,drain	1	
11	A30DL5-30003	C Fuel line	1	
12	GB/T 823	M5×12 Screw	1	
13	A30A5-30400	5 Washer,lock	5	
14	JB/T 982	Packing	1	
15	JB/T 982	8 Cushion	8	
16	A30DA5-30300	Plate	1	
17	A30DA5-30002	Packing	1	
18	A30A5-30400	Diesel Filter	1	
19	A30DL5-30001	A Fuel line	1	
20	A30DL5-30100	Separator	1	
21	A30DL5-30002	B Fuel line	1	



Exhaust system

Item	Part No	Description	Q'ty	Remark
1	GB/T6170	M8 Nut	2	
2	GB/T93	8 Washer,lock	2	
3	A30DA5-20100	Pipe	1	FD20~35-Y1/Y2/Y3
-	A30DC5-20100	Pipe	1	FY20~35-R1/R2
4	A30DA5-20200	Muffler	1	
5	A30A5-20002	Bolt	2	
6	A30A5-20003	Plate	2	
7	A30A5-20001	Rubber	4	
8	GB/T97.1	8 Washer	2	
9	GB/T 889.1	M8 Nut	2	
10	GB/T5783	M10×20 Bolt	1	
11	GB/T93	10 Washer,lock	1	
12	GB/T97.1	10 Washer	2	
13	A30A5-20306	Engine mount R.H.	1	
14	A30A5-20201	U-Bolt	1	
15	A30A5-20202	U-Stopper	1	
16	GB/T5783	M8 Nut	2	
17	GB/T93	8 Washer,lock	2	
18	GB/T97.1	8 Washer	2	

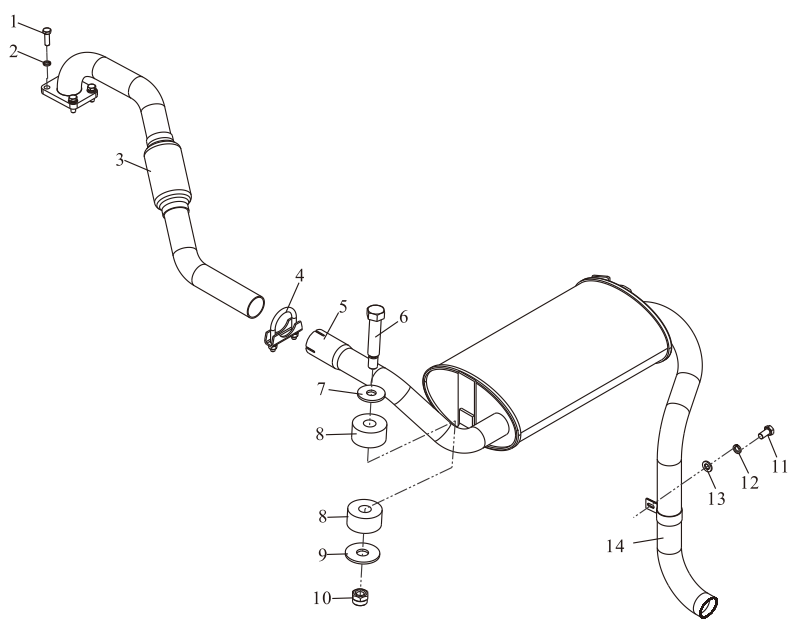
FD20~35-Y1/Y2/Y3
FY20~35-R1/R2



Exhaust system

FD30/35S-X24

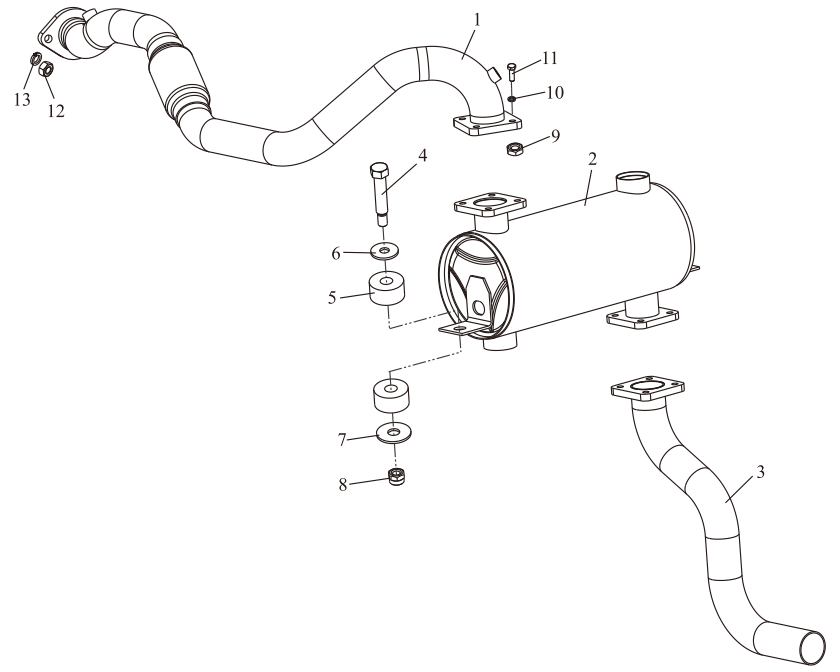
Item	Part No	Description	Q'ty	Remark
1	GB/T5783	8×25 Bolt	4	
2	GB/T93	8 Washer,lock	4	
3	A30DB5-20200	Pipe	1	
4	A30A5-20200		1	
5	A30DB5-20200	Muffler	1	
6	A30A5-20002	Bolt	2	
7	A30A5-20003	Plate	2	
8	A30A5-20001	Rubber	4	
9	GB/T97.1	8 Washer	2	
10	GB/T 889.1	M8 Nu	t 2	
11	GB/T5783	M10×20 Bolt	1	
12	GB/T93	10 Washer,lock	1	
13	GB/T97.1	10 Washer	1	
14	A30A5-20306	Engine mount R.H.	1	



Exhaust system

FD30/35S-S14

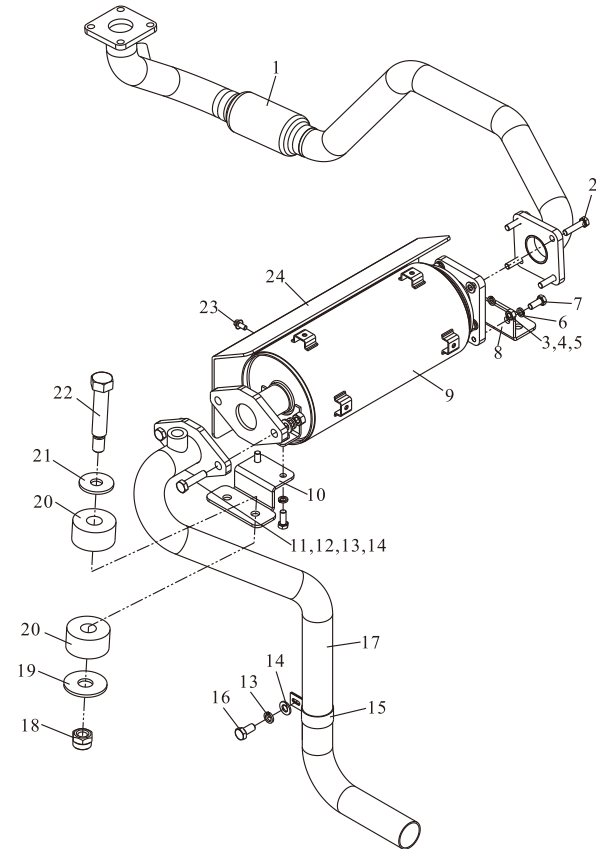
Item	Part No	Description	Q'ty	Remark
1	A30DD5-20100	Pipe	1	
2	A30DD5-20100	Muffler	1	
3	A30DD5-20200	Exhaust tailpipe	1	
4	A30A5-20002	Bolt	2	
5	A30A5-20001	Rubber	4	
6	GB/T96	8 Washers	2	
7	A30A5-20003	Plate	2	
8	GB/T 889.1	M8 Nut	2	
9	GB/T 6170	M8 Nut	8	
10	GB/T93	8 Washer,lock	8	
11	GB/T5783	M8×35 Bolt	8	
12	GB/T6171	M10×1.25 Nut	2	
13	GB/T93	10 Washer,lock	2	



Exhaust system

FY30/35S-KB1

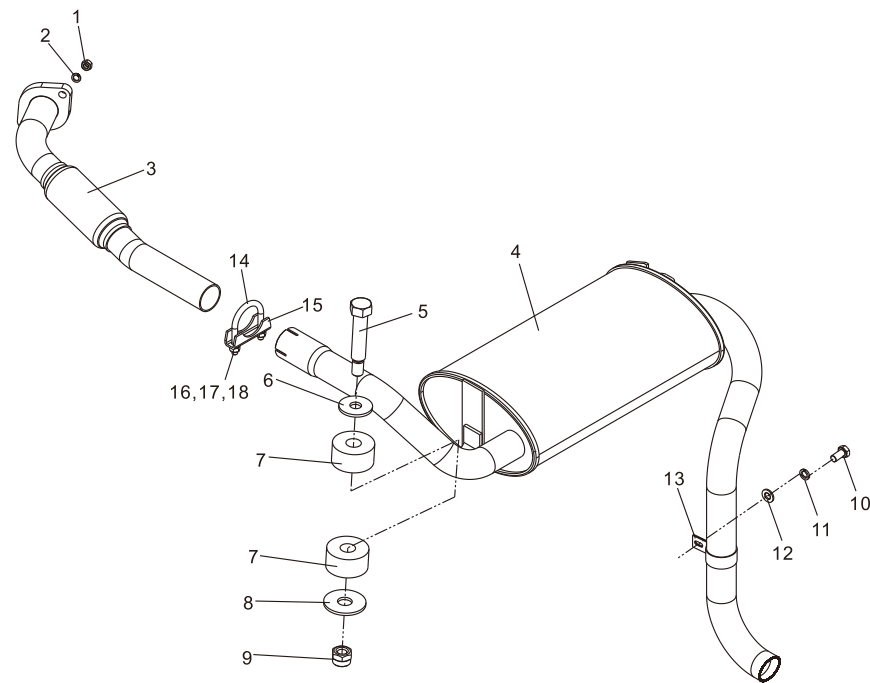
Item	Part No	Description	Q'ty	Remark
1	A30DE5-20100	Pipe	1	
2	GB/T5783	M8×35 Bolt	4	
3	GB/T5783	M8 Nut	4	
4	GB/T97.1	8 Washer	8	
5	GB/T93	8 Washer,lock	8	
6	GB/T93	8 Washer,lock	8	
7	GB/T5783	M8×20 Bolt	4	
8	A30DE5-20001	DOC right foot	1	
9	A30DE5-20300	Muffler	1	
10	A30DE5-20002	DOC left foot	1	
11	GB/T5783	M10×40 Bolt	2	
12	GB/T5783	M10 Nut	2	
13	GB/T93	10 Washer,lock	3	
14	GB/T97.1	10 Washer	3	
15	A30A5-20306	Engine mount R.H.	1	
16	GB/T5783	M10×20 Bolt	1	
17	A30DE-20200	Exhaust tailpipe	1	
18	GB/T889.1	M8 Nut	4	
19	GB/T97.1	8 Washer	4	
20	A30A5-20001	Rubber	8	
21	A30A5-20003	Plate	4	
22	GB/T5783	Bolt	4	
23	GB/T16674. 1	M6×12 Bolt	2	
24	A30DE5-20003	DOC bezel	1	



Exhaust system

FD20,25,30,35-S2/S5

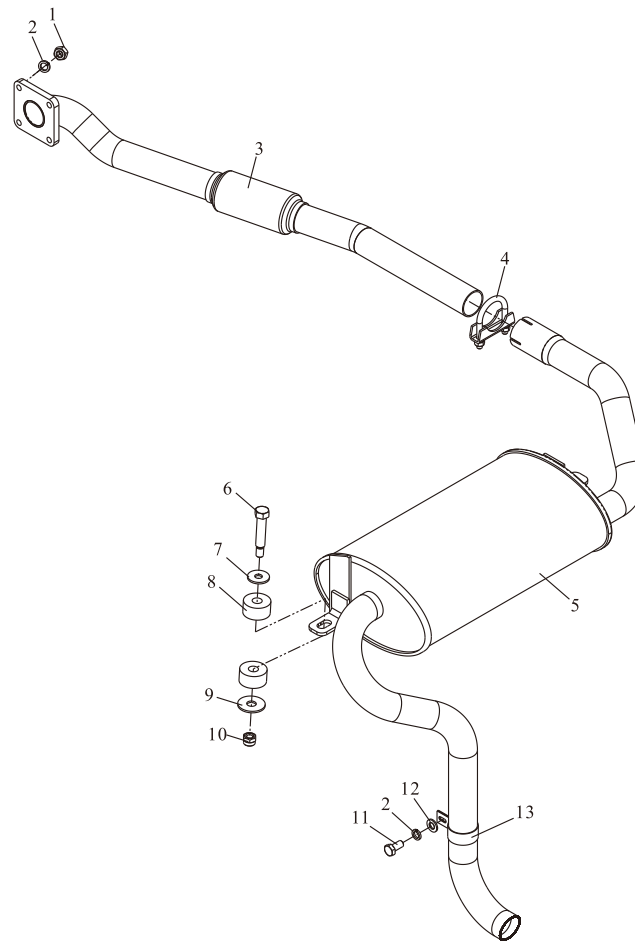
Item	Part No	Description	Q'ty	Remark
1	GB/T6171	M10×1.25 Nut	2	
2	GB/T93	10 Washer,lock	2	
3	A30DF5-20100	Pipe	1	
4	A30DB5-20200	Muffler	1	
5	A30A5-20002	Bolt	2	
6	A30A5-20003	Plate	2	
7	A30A5-20001	Rubber	4	
8	GB/T97.1	8 Washer	2	
9	GB/T 889.1	M8 Nut	2	
10	GB/T5783	M10×20 Bolt	1	
11	GB/T93	10 Washer,lock	1	
12	GB/T97.1	10 Washer	2	
13	A30A5-20306	Engine mount R.H.	1	
14	A30A5-20201	U-Bolt	1	
15	A30A5-20202	U-Stopper	1	
16	GB/T5783	M8 Nut	2	
17	GB/T93	8 Washer,lock	2	
18	GB/T97.1	8 Washer	2	



Exhaust system

Item	Part No	Description	Q'ty	Remark
1	GB/T6171	M10×1.25 Nut	4	
2	GB/T93	10 Washer,lock	5	
3	A30DH5-20100	Pipe	1	
4	A30A5-20200	Pipe card	1	
5	A30DA5-20200	Muffler	1	
6	A30A5-20002	Bolt	2	
7	A30A5-20003	Plate	2	
8	A30A5-20001	Rubber	4	
9	GB/T97.1	8 Washer	2	
10	GB/T 889.1	M8 Nut	2	
11	GB/T5783	M10×20 Bolt	1	
12	GB/T97.1	10 Washer	2	
13	A30A5-20306	Engine mount R.H.	1	

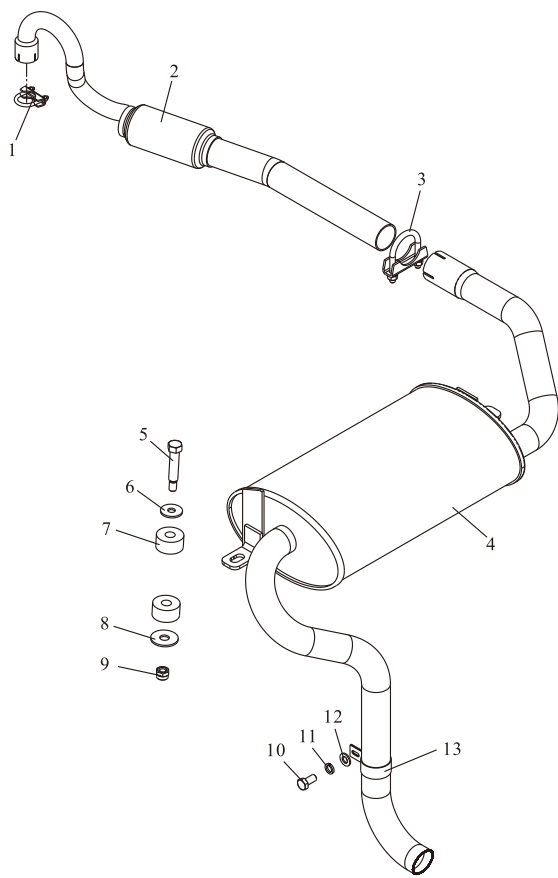
FD30/35S-W1



Exhaust system

Item	Part No	Description	Q'ty	Remark
1	A50A5-20200	Pipe card	1	
2	A30DI5-20100	Pipe	1	
3	A30A5-20200	Pipe card	1	
4	A30DA5-20200	Muffler	1	
5	A30A5-20002	Bolt	2	
6	A30A5-20003	Plate	2	
7	A30A5-20001	Rubber	4	
8	GB/T97.1	8 Washer	2	
9	GB/T 889.1	M8 Nut	2	
10	GB/T5783	M10×20 Bolt	1	
11	GB/T93	10 Washer,lock	1	
12	GB/T97.1	10 Washer	2	
13	A30A5-20306	Engine mount R.H.	1	

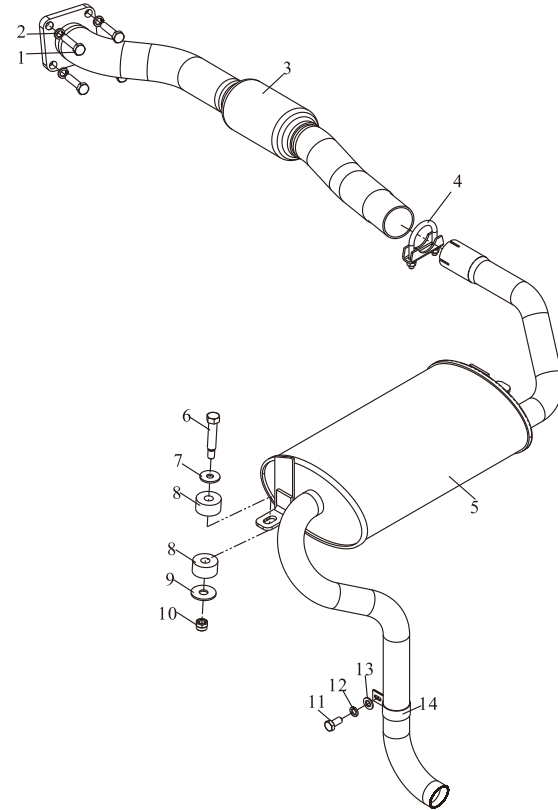
FD30/35S-H3



Exhaust system

FD30/35S-D2

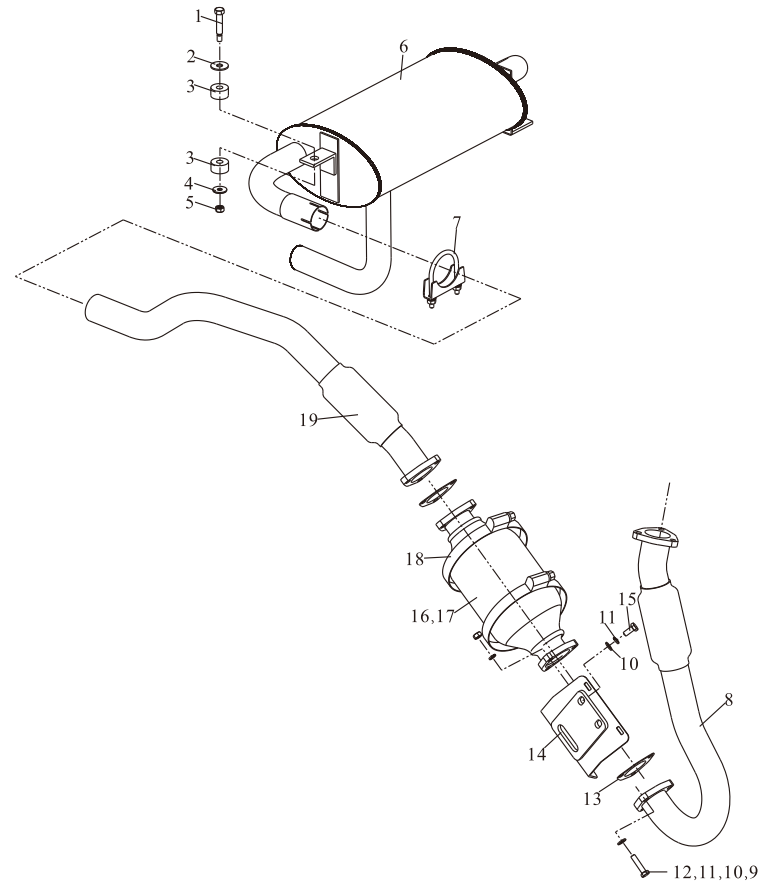
Item	Part No	Description	Q'ty	Remark
1	GB/T5783	M8×35 Bolt	1	
2	GB/T93	8 Washer,lock	1	
3	A30DJ5-20100	Pipe	1	
4	A30A5-20200	Pipe card	1	
5	A30DA5-20200	Muffler	1	
6	A30A5-20002	Bolt	2	
7	A30A5-20003	Plate	2	
8	A30A5-20001	Rubber	4	
9	GB/T97.1	8 Washer	2	
10	GB/T 889.1	M8 Nut	2	
11	GB/T5783	M10×20 Bolt	1	
12	GB/T93	10 Washer,lock	1	
13	GB/T97.1	10 Washer	2	
14	A30A5-20306	Engine mount R.H.	1	



Exhaust system

FD30/35S-KL1

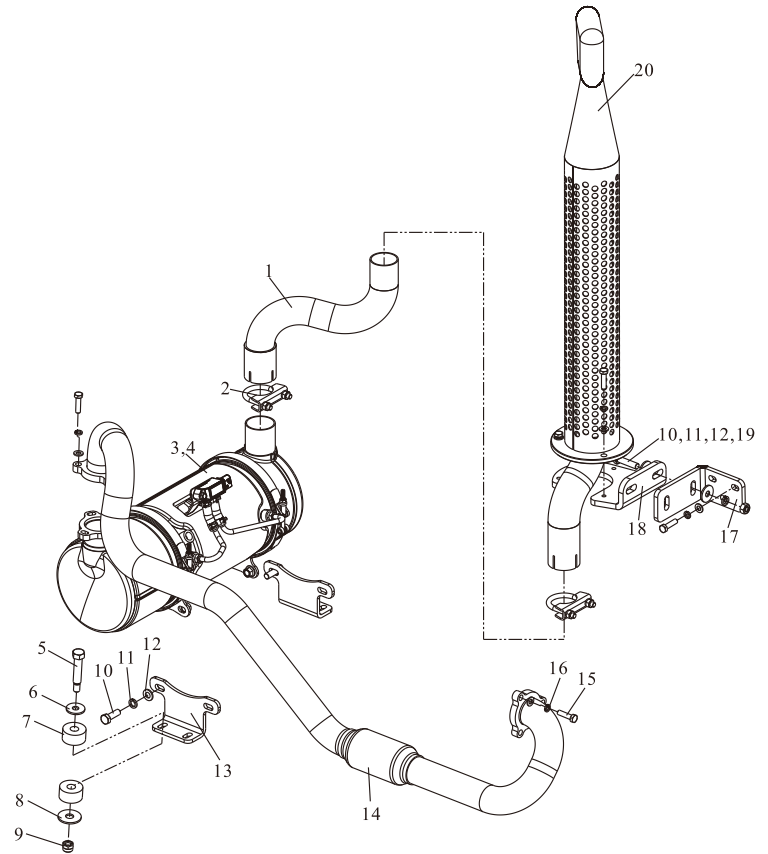
Item	Part No	Description	Q'ty	Remark
1	A30A5-20002	Bolt	2	
2	A30A5-20003	Plate	2	
3	A30A5-20001	Rubber	4	
4	DB/T96.1	8 Washers	2	
5	GB/T 889.1	M8 Nut	2	
6	A30DK5-20200	Muffler	1	
7	A30BC5-20300	Pipe card	1	
8	A30BN5-20100	1 Exhaust pipe	1	
9	GB/T6170	M8 Nut	6	
10	GB/T97.1	8 Washer	8	
11	GB/T93	8 Washer,lock	8	
12	GB/T5783	M8×35 Bolt	6	
13	A30BN5-20001	Exhaust pipe mat	2	
14	A30BN5-20500	Catalyst bracket	1	
15	GB/T5783	M8×20 Bolt	2	
16	A30BN5-20500	DOC Catalytic converter	1	
17	T20G5-20002	φ 50 Casing	1	
18	JB/T8870	150×130 Clip	2	
19	A30DK5-20200	Pipe	1	



Exhaust system

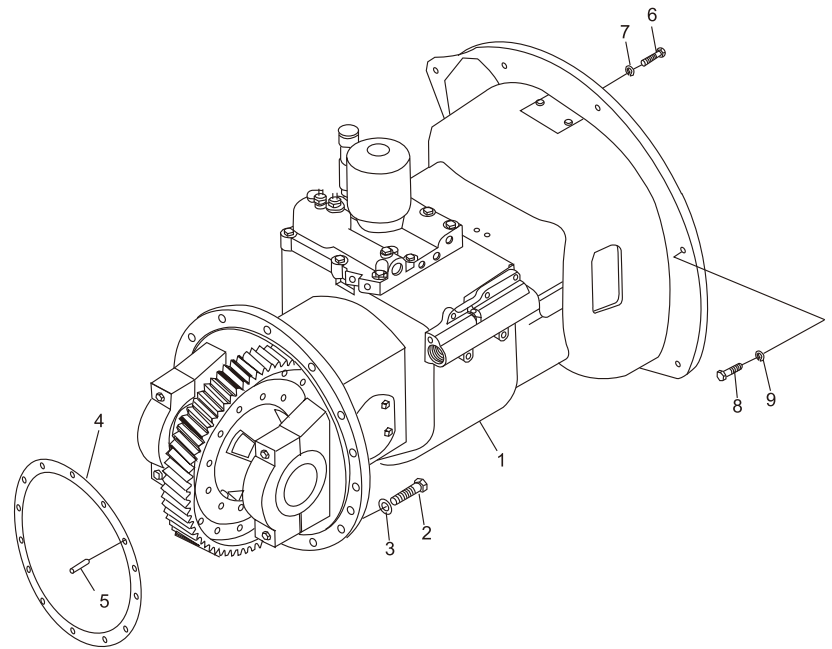
Item	Part No	Description	Q'ty	Remark
1	A30DL5-20300	Take	1	
2	A30BC5-20300	Pipe card	2	
3	A30DL5-20400	DPF Assembly	1	
4	A30DL5-20500	DOC Assembly	1	
5	A30A5-20002	Bolt	4	
6	A30A5-20003	Plate	4	
7	A30A5-20001	Rubber	8	
8	GB/T97.1	8 Washer	4	
9	GB/T 889.1	M8 Nut	4	
10	GB/T5783	M10×30 Bolt	6	
11	GB/T93	10 Washer,lock	6	
12	GB/T97.1	10 Washer	6	
13	A30DL5-20001	DPFmounting brack	2	
14	A30DL5-20100	Pipe	1	
15	GB/T5783	M8×35 Bolt	6	
16	GB/T93	8 Washer,lock	4	
17	A30DL5-20002	mounting bracket	2	
18	A30DL5-20003	Mounting seat	1	
19	GB/T6170	M10 Nut	2	
20	A30DL5-20200	High-drainingassembly	1	

FD30/35S-DS1



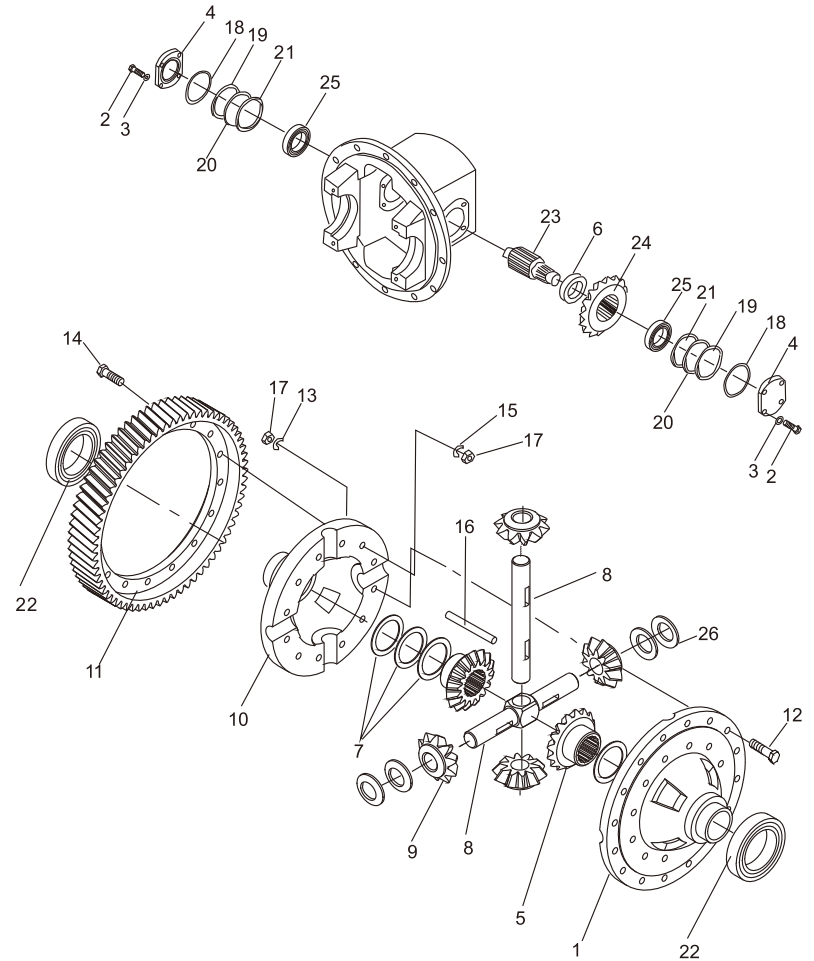
Drive unit mount(tor-con type)

Item	Part No	Description	Q'ty	Remark
1	A30D5-00100	Drive unit	1	
-	A30D5-00200	Drive unit	1	
2	GB/T5785	M12×1.25×40 Bolt	12	
3	GB/T93	12 Washer,lock	12	
4	A30A5-02001	Packing	1	
5	GB/T119.1	B10×20 Pin,parallel	1	
6	GB/T5783	M8×20 Bolt	6	
7	GB/T93	8 Washer,lock	6	
8	GB/T5783	M10×35 Bolt	9	
9	GB/T93	10 Washer,lock	9	



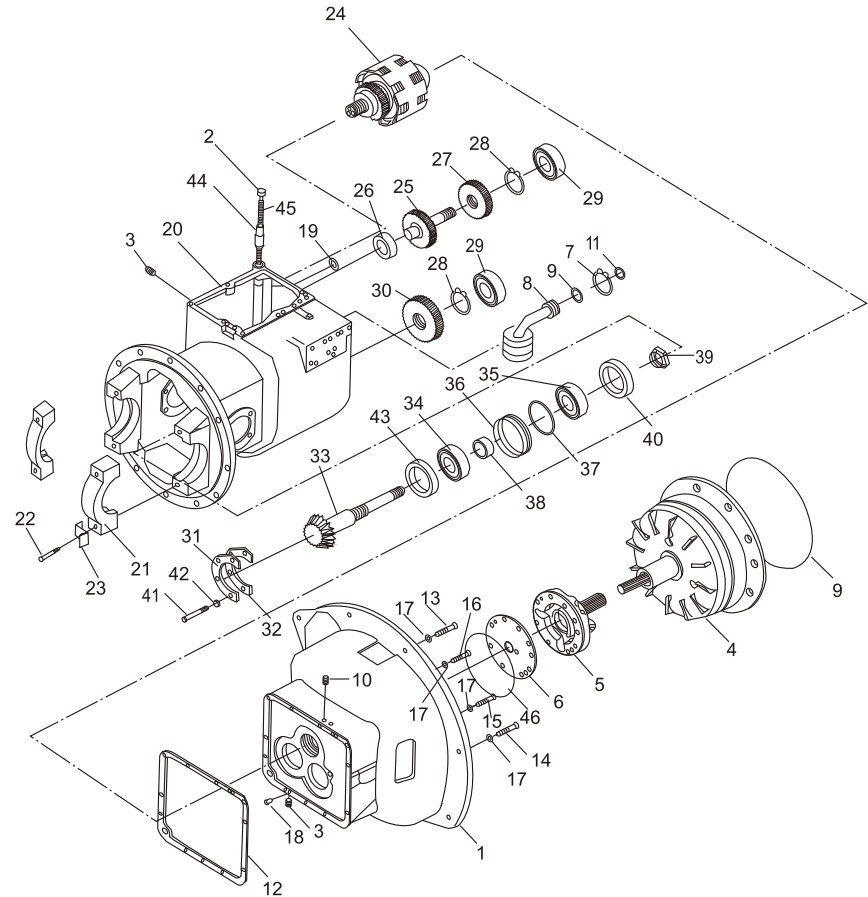
Differential

Item	Part No	Description	Q'ty	Remark
1	A30A5-02701	Case, cross L. H	1	
2	GB/T5786	M10×1.25×25 Bolt	8	
3	GB/T93	10 Washer,lock	8	
4	A30A5-02702	Cover,bearing	2	
5	A30A5-02703	Gear, side	2	
6	A30A5-02704	Spacer	1	
7	A30A5-02705	Washer	2	
-	A30A5-02706	Washer	2	
-	A30A5-02707	Washer	2	
8	A30A5-02708	Shaft, pinion	1	
-	A30A5-02709	Shaft, pinion	1	
9	A30A5-02710	Gear, Pinion	4	
10	A30A5-02711	Case, cross R. H	1	
11	A30A5-02712	Gear, ring	1	
12	A30A5-02713	Bolt	12	
13	A30A5-02714	Washer, lock	8	
14	A30A5-02715	Bolt	16	
15	A30A5-02716	Plate, lock	8	
16	GB/T119.1	d6×30 Pin parallel	2	
17	GB/T6171	M10×1.25 Nut	28	
18	GB/T1235	O 75×3.1 O-ring	2	
19	A30A5-02717	Shim	2	
20	A30A5-02718	Shim	4	
21	A30A5-02719	Shim	2	
22	GB/T272	213 Bearing	2	
23	A30A5-02720	Shaft, final pinion gear	1	
24	A30A5-02721	Gear, spiral vevel	1	
25	GB/T297	7507 Bearing	2	
26	A30A5-02722	Washer, thrust	4	



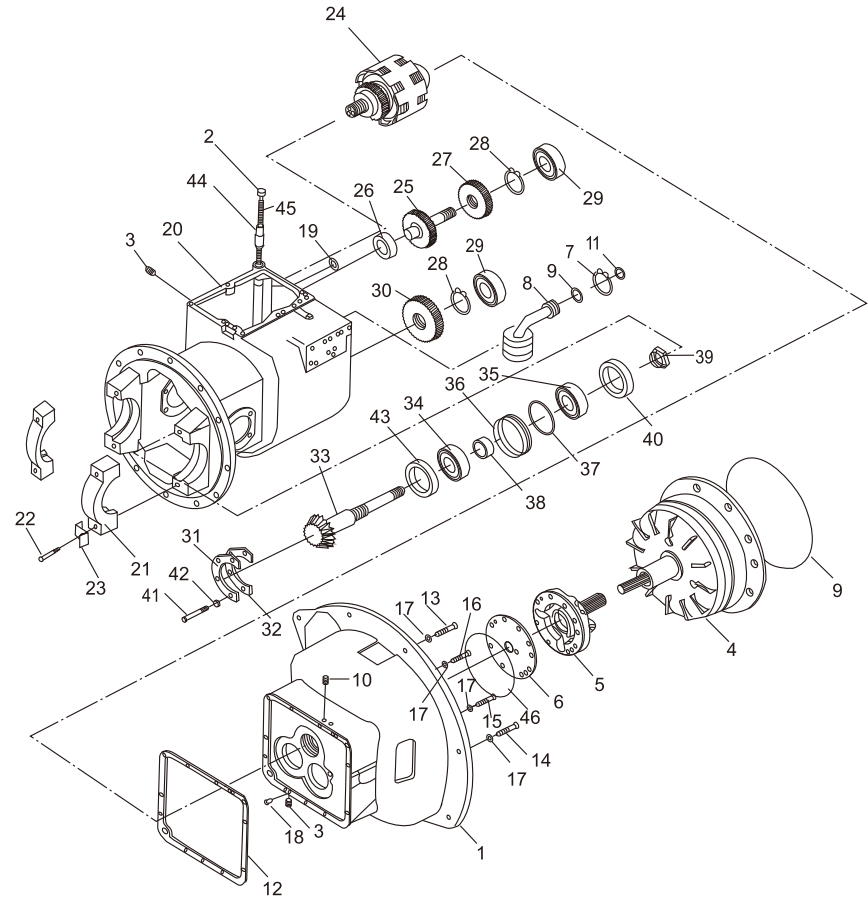
Drive unit(tor-con type)

Item	Part No	Description	Q'ty	Remark
1	A30D5-00101	Case, tor-con	1	
2	A30B5-02002	Cap	1	
3	Q/Z285-4	1/2 " Plug	4	
4	A30D5-00110	Tor-xon ass'y	1	
5	A30B5-02200	ass'y	1	
6	A30B5-02003	Gasket	1	
7	GB/T894.1	35 Snap ring	1	
8	A30B5-02004	Strainer	1	
9	GB/T1235	35×3.1 O-ring	1	
10	Q/Z285-2	1/4 " Plug	2	
11	GB/T1235	28×3.5 O-ring	1	
12	A30B5-02005	Gasket	1	
13	GB/T5785	M10×1.25×75 Bolt	1	
14	GB/T5785	M10×1.25×55 Bolt	3	
15	GB/T5785	M10×1.25×50 Bolt	1	
16	GB/T5785	M10×1.25×30 Bolt	4	
17	GB/T93	10 Washer, lock	9	
18	GB/T119.1	12×20 Pin	2	
19	GB/T1235	15×2.4 O-ring	1	
20	A30B5-02006	Case, mission	1	
21	A30B5-02007	Cap,bearing	2	
22	A30B5-02008	Bolt	4	
23	A30B5-02009	Plate,lock	4	
24	A30B5-02300	Clutch,hydraulic	1	
25	A30B5-02010	Shaft,idler	1	
26	GB/T276	206 Bearing	1	
27	A30B5-02011	Gear,idler	1	
28	GB/T893.1	24 Snap ring	2	
29	GB/T276	207 Bearing	2	
30	A30B5-02012	Gear,output	1	



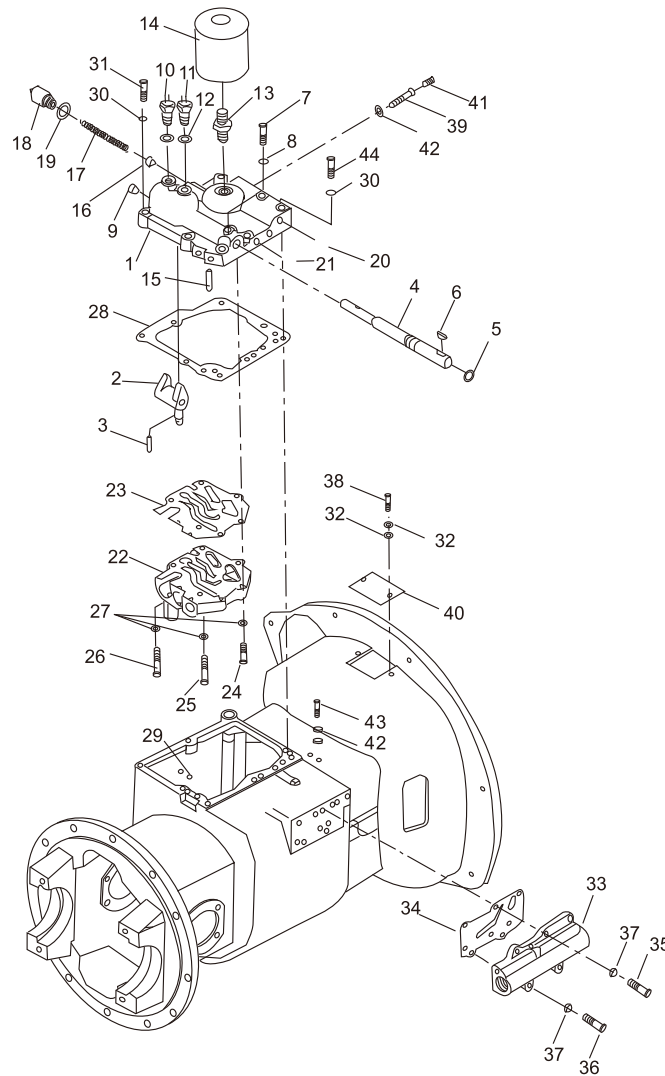
Drive unit(tor-con type)

Item	Part No	Description	Q'ty	Remark
31	A30B5-02013	Plate,bearing support	1	
32	A30B5-02014	Shim		
-	A30B5-02015	Shim		
-	A30B5-02016	Shim		
33	A30B5-02017	Shaft,output	1	
34	Z-7508	7508 Bearing	2	
35	Z-7208	7208 Bearing	1	
36	A30B5-02018	Retainer,oil seal	1	
37	GB/T1235	80×3.1 O-ring	1	
38	A30B5-02019	Seal,oil	1	
39	A30B5-02020	Nut	1	
40	A30B5-02021	Shim	1	
-	A30B5-02022	Shim	1	
-	A30B5-02023	Shim	1	
41	GB/T5783	M8×20 Bolt	4	
42	GB/T93	8 Washer,lock	15	
43	A30B5-02024	Collar	1	
44	A30B5-02025	Pipe, oil fill	1	
45	A30B5-02026	Gasket	1	



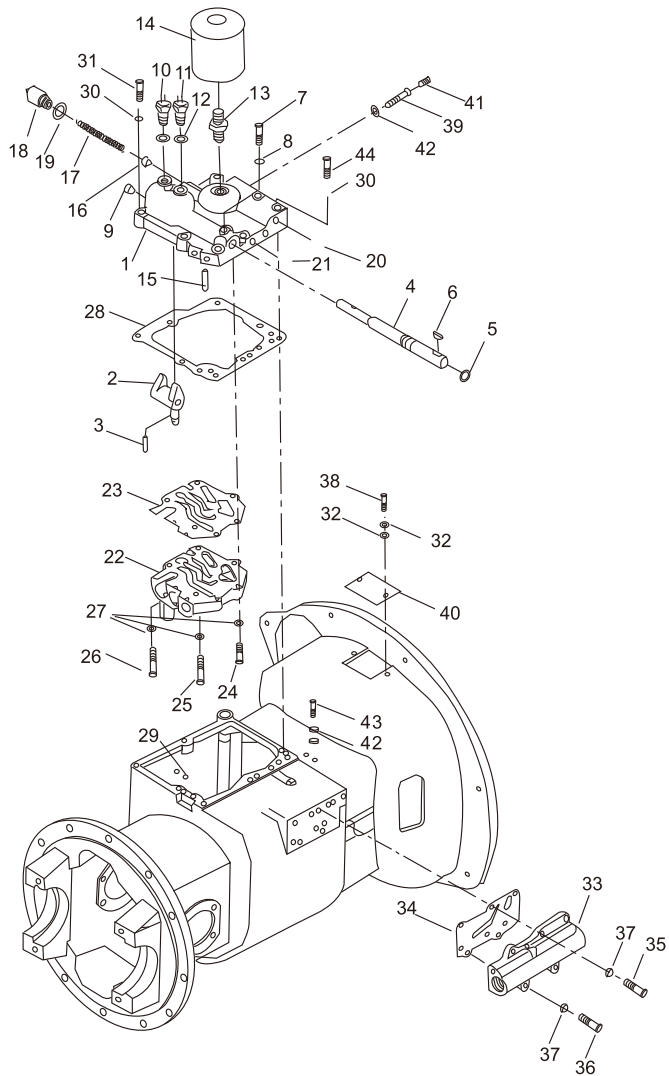
Drive unit (cover & inching valve)

Item	Part No	Description	Q'ty	Remark
1	A30B5-02027	Cover, case	1	
2	A30B5-02028	Arm, shift	1	
3	GB/T879	6×32 Pin, lock	1	
4	A30B5-02029	Shaft, shift arm	1	
5	GB/T1235	20×2.4 O-ring	1	
6	GB/T1099	5×19 key, woodruff	1	
7	A30B5-02030	Bolt	1	
8	A30B5-02031	Shim	7	
9	A30B5-02032	Plug	1	
10	DZ05G-J208	Switch	1	
11	DZ05G-J209	Switch	1	
12	A30B5-02034	Washer	2	
13	A30B5-02035	Nipple	1	
14	A30B5-02036	Filter, oil	1	
15	GB/T879	4×25 Pin, lock	1	
16	A30B5-02037	Piston	1	
17	A30B5-02038	Spring	1	
18	A30B5-02039	Cup	1	
19	A30B5-02040	Packing, copper	1	
20	Q/ZB285-1	1/8 " Plug	6	
21	Q/ZB285-2	1/4 " Plug	4	
22	A30B5-02400	Control valve ass'y	1	
-	A30B5-02041	Electric-controller hydraulic valve	1	
23	A30B5-02042	Gasket	1	
24	GB/T5783	M8×35 Bolt	2	
25	GB/T5783	M8×55 Bolt	2	
26	GB/T5783	M8×50 Bolt	2	
27	GB/T93	8 Washer,lock	6	
28	A30B5-02043	Gasket	1	
29	GB/T1235	O 9×1.91 O-ring	2	



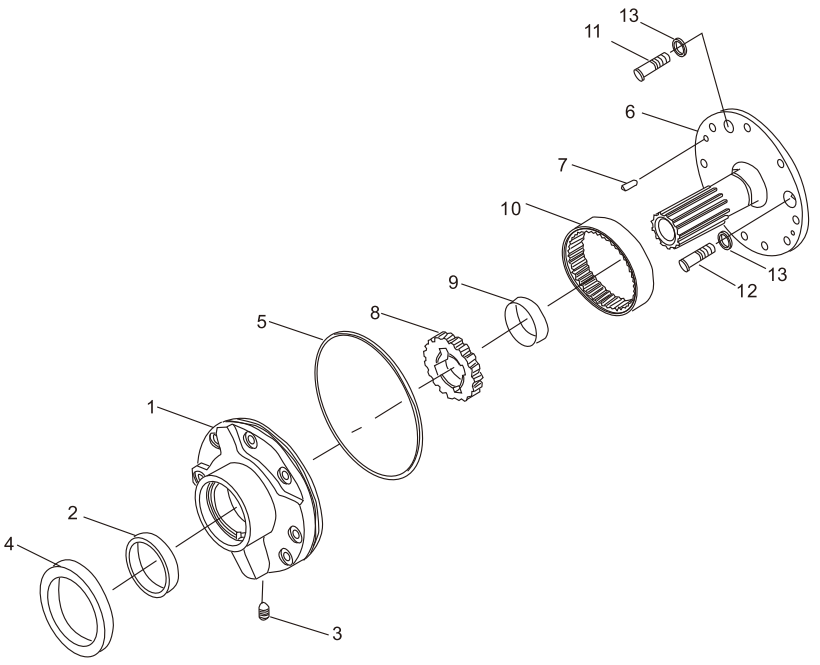
Drive unit (cover & inching valve)

Item	Part No	Description	Q'ty	Remark
30	GB/T93	10 Washer,lock	8	
31	GB/T5782	M10×1.25×55 Bolt	2	
32	GB/T93	8 Washer,lock	3	
33	A30B5-02500	Inching valve ass'y	1	
34	A30B5-02044	Shim	1	
35	GB/T5783	M8×25 Bolt	4	
36	GB/T5783	M8×50 Bolt	2	
37	GB/93	8 Washer,lock	5	
38	GB/T5783	M8×12 Bolt	2	
39	A30B5-02045	Bolt, joint	1	
40	A30B5-02046	Cover, tor-con	1	
41	A30B5-02047	1/8 " Plug	1	
42	A30B5-02048	Packing, copper	4	
43	A30B5-02049	Bolt, joint	1	
44	GB/T5785	M10×1.25×40 Bolt	6	



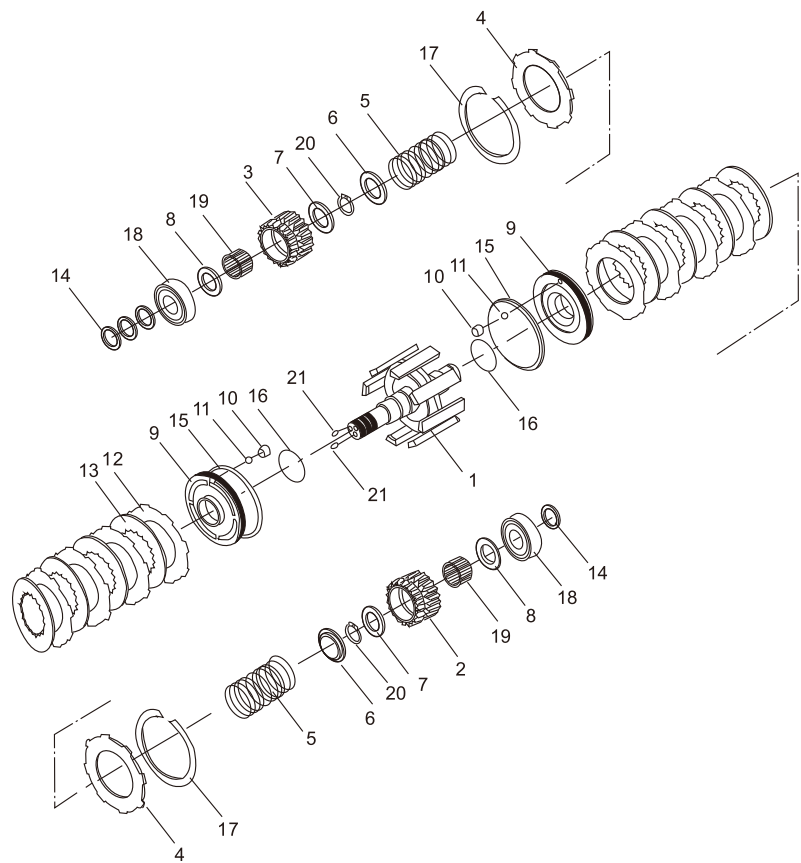
Charging pump(tor-con type)

Item	Part No	Description	Q'ty	Remark
A	A30B5-02200	Charging Pump ass'y	1	
1	A30B5-02201	Case, Pump	1	
2	A30B5-02202	Bushing	1	
3	A30B5-02203	ZG1/8" Plug	1	
4	A30B5-02204	Seal, oil	1	
5	A30B5-02205	O-ring	1	
6	A30B5-02206	Support, starter	1	
7	GB/T119.1	6×16 Pin	2	
8	A30B5-02207	Gear, drive	1	
9	A30B5-02208	Bushing	1	
10	A30B5-02209	Gear, driven	1	
11	GB/T5783	M8×45 Bolt	4	
12	GB/T5783	M8×25 Bolt	1	
-	GB/T5783	M8×35 Bolt	3	
13	A30B5-02210	Washer	2	



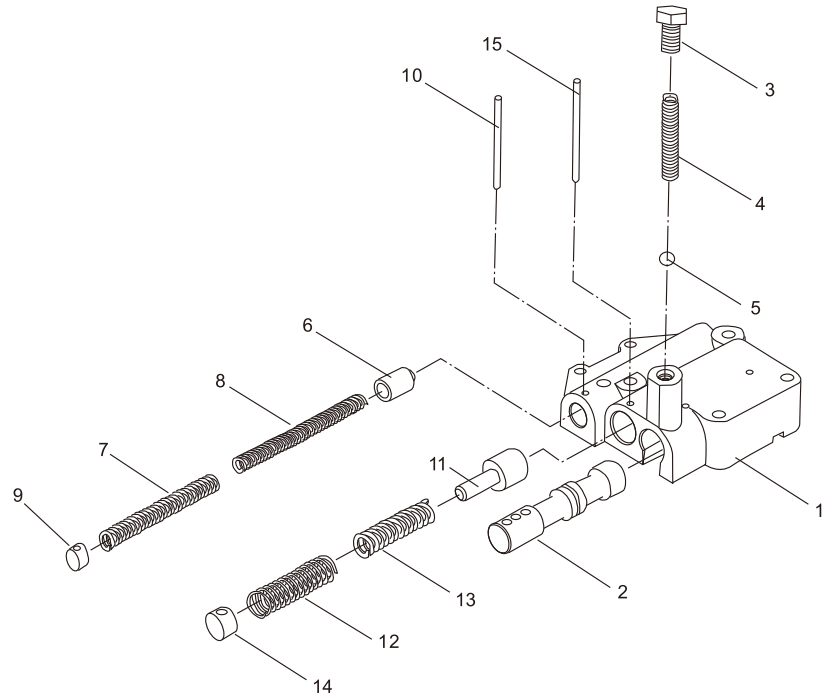
Hydraulic clutch(tor-con type)

Item	Part No	Description	Q'ty	Remark
A	A30B5-02300	Clutch, hydraulic	1	
1	A30B5-02301	Shift, input	1	
2	A30B5-02302	Gear, reverse	1	
3	A30B5-02303	Gear, forward	1	
4	A30B5-02304	Plate, end	2	
5	A30B5-02305	spring, return	2	
6	A30B5-02306	Seat, spring	2	
7	A30B5-02307	A Ring, thrust	2	
8	A30B5-02308	B Ring, thrust	2	
9	A30B5-02309	Piston	1	
10	A30B5-02310	Plug	1	
11	GB/T307	1/8 " Ball, steel	1	
12	A30B5-02311	Plate, friction	8	
13	A30B5-02312	Plate, separator	8	
14	A30B5-02313	A Ring , seal	4	
15	A30B5-02314	B Ring , seal	2	
16	GB/T1235	33.7×3.5 O-ring	2	
17	A30B5-02315	Snap, ring	2	
18	GB/T276	206 Bearing	2	
19	A30B5-02316	Bearing, needle	2	
20	GB/T894.1	40 Snap, ring	2	
21	GB/T78	M8×8 Bolt	2	



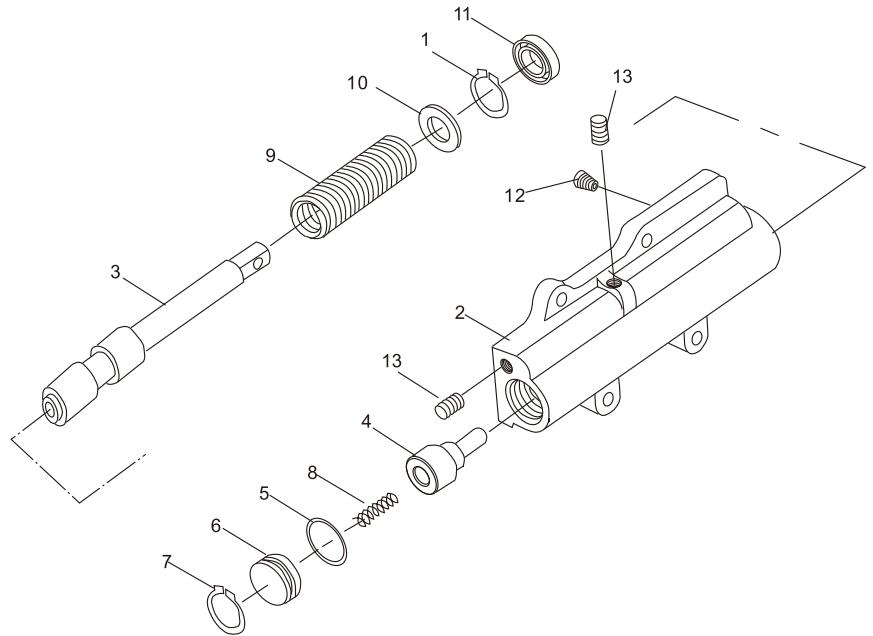
Control valve (tor-con type)

Item	Part No	Description	Q'ty	Remark
A	A30B5-02400	Control valve ass'y	1	
1	A30B5-02401	Body, valve	1	
2	A30B5-02402	Slide valve	1	
3	A30B5-02403	Plate, end	1	
4	A30B5-02404	Spring	1	
5	GB/T308	13/32 " Ball	1	
6	A30B5-02405	Piston	1	
7	A30B5-02406	Spring	1	
8	A30B5-02407	Spring	1	
9	A30B5-02408	Plug	1	
10	GB/T879	4×35 Pin, lock	1	
11	A30B5-02409	Spool	1	
12	A30B5-02410	Spring	1	
13	A30B5-02411	Spring	1	
14	A30B5-02412	Plug	1	
15	GB/T879	4×40 Pin, lock	1	



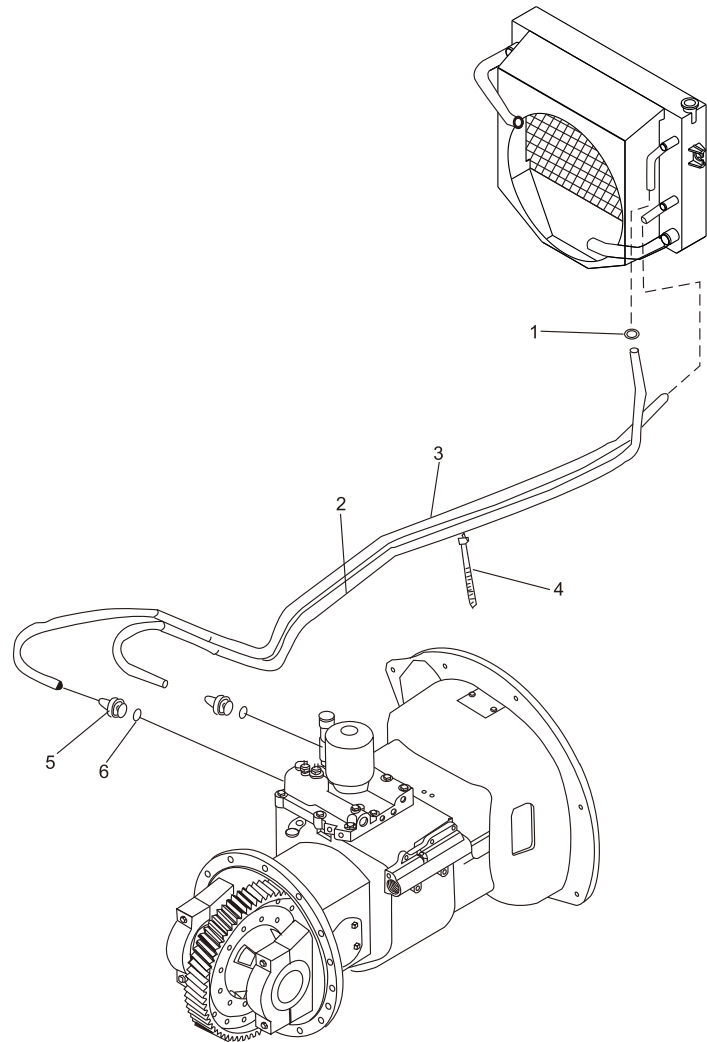
Inching valve(tor-con type)

Item	Part No	Description	Q'ty	Remark
A	A30B5-02500	Inching valve ass'y	1	
1	GB/T893. 1	Snap ring	1	
2	A30B5-02501	Body, valve	1	
3	A30B5-02502	Spool	1	
4	A30B5-02503	Slide valve	1	
5	GB/T3452. 1	23.6×2. 65 O-ring	1	
6	A30B5-02504	Seal, oil	1	
7	GB/T893. 1	28 Snap ring	1	
8	A30B5-02505	φ 1.2×D9.2×30 Spring	1	
9	A30B5-02506	φ 3×D22.9×87.4 Spring	1	
10	A30B5-02507	Spacer	1	
11	A30B5-02509	φ 30×16×7 Seal,oil	1	
12	A30B5-02508	Plug,choke	1	
13	Q/ZB285-77	Z1/8 " Plug	2	



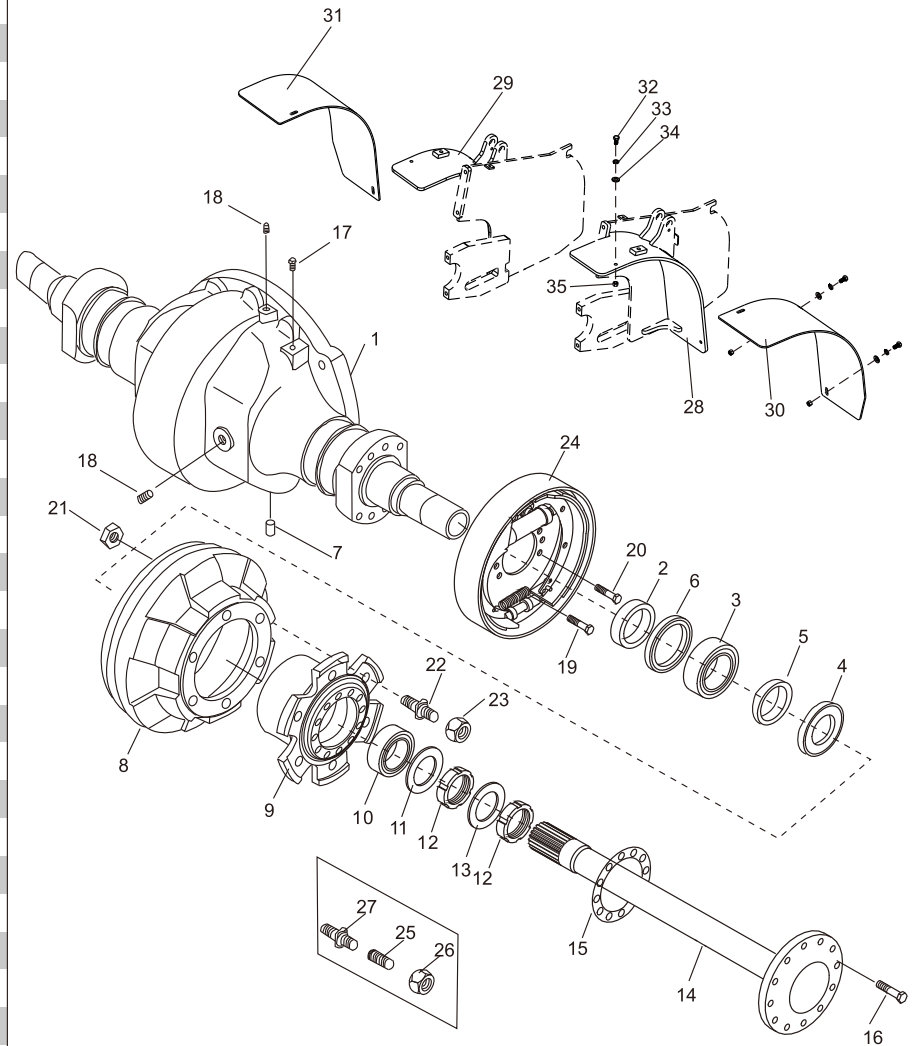
Hydraulic system

Item	Part No	Description	Q'ty	Remark
1	JB/T8870	20×12 Clip	4	
2	TG000-10190	φ 10×1900 Hose	1	
3	TG000-10220	φ 10×2200 Hose	1	
4	TQ000-08025	8×250 Band	2	
5	GJT-16-00	union	2	
6	GB/T982	14×2.7 Packing	2	



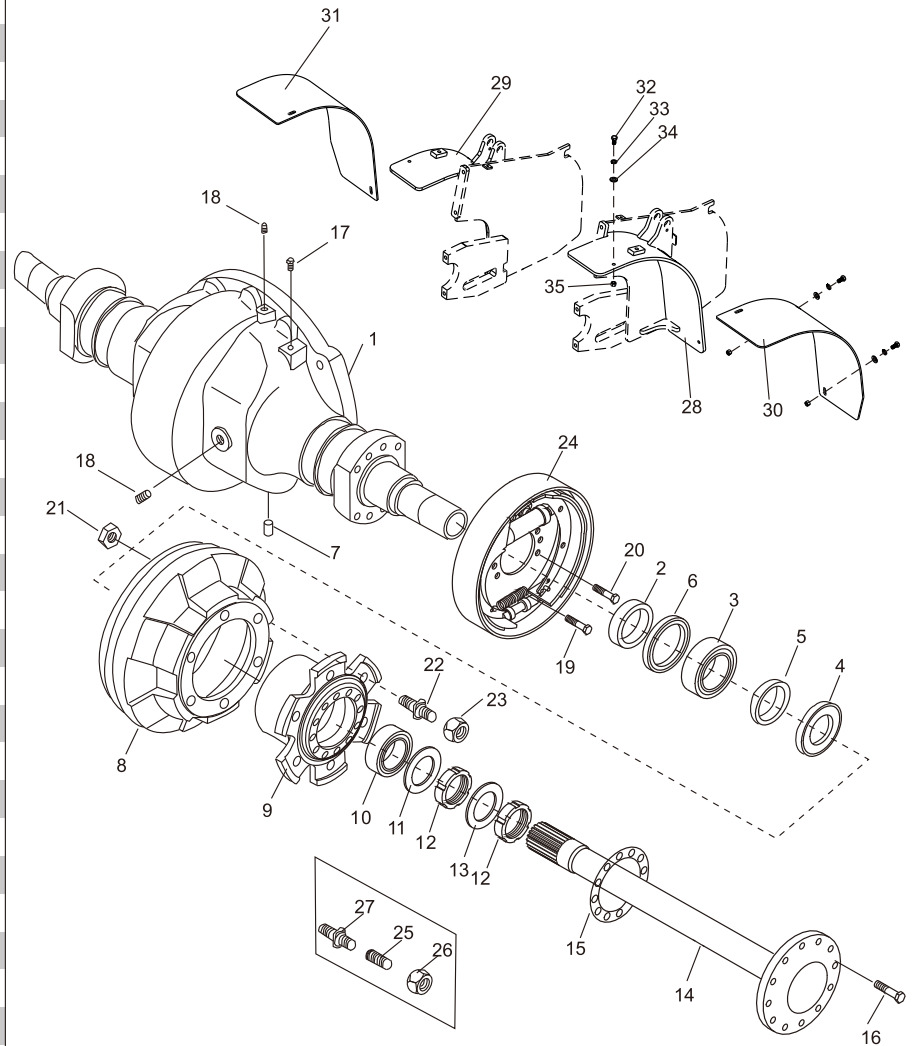
Drive axle

Item	Part No	Description	Q'ty	Remark
1	A30A5-02112	Housing, axle	1	3t
-	A20A5-02112	Housing, axle	1	2-2.5t
-	A30A5-03004	Housing, axle	1	3-3.5t
2	A30A5-02111	100×72×16 Retainer,oil seal	2	
3	GB/T9877.1	Sd100×125×12 Seal, oil	2	
4	A30A5-02119	111×72.5×1 Retainer	2	
5	A30A5-02120	125×119×7.5 Washer	2	
6	GB/T307	30214 Bearing	2	
7	GB/T119.1	D10×30 Pin	1	
8	A30A5-02101	Drum, brake	2	3-3.5t
-	A20A5-02101	Drum, brake	2	2-2.5t
-	A25I5-00101	Drum, brake	2	2-2.5t
9	A30A5-02102	Hub, front	2	3-3.5t
-	A20A5-02102	Hub, front	2	2-2.5t
-	A25I5-00102	Hub, front	2	2-2.5t
10	GB/T307.1	Seal, oil ass'y	2	
11	A30A5-02105	Packing	2	
12	GB/T810	M60×2 Nut	4	
13	GB/T858	60 Washer	2	
14	A30A5-02106	Shaft, drive	2	3-3.5t
-	A20A5-02106	Shaft, drive	2	2-2.5t
15	A30A5-02107	Packing	2	
16	A30A5-02104	Bolt	24	
17	A30A5-02113	Breather, air	1	
18	A30A5-02114	Plug	3	
19	A30A5-02115	M14×1.5×30 Bolt	12	
20	A30A5-02116	M14×1.5×38 Bolt	4	
21	GB/T6171	M20×1.5 Nut	12	
22	A30A5-02108	Bolt		3-3.5t
-	A20A5-02108	Bolt		2-2.5t



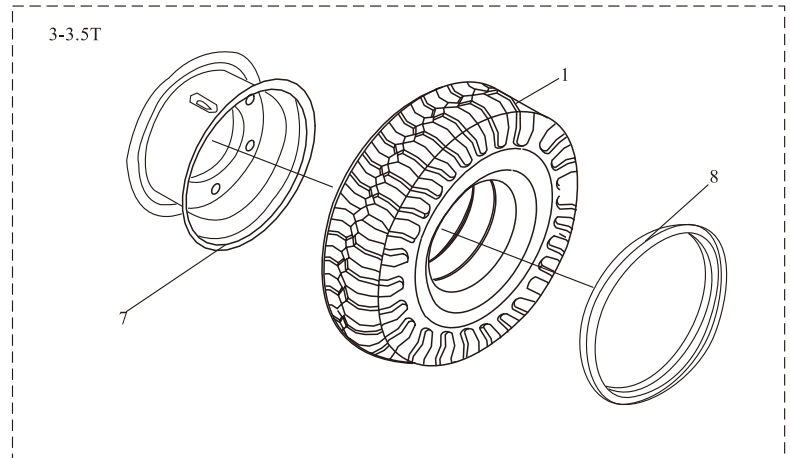
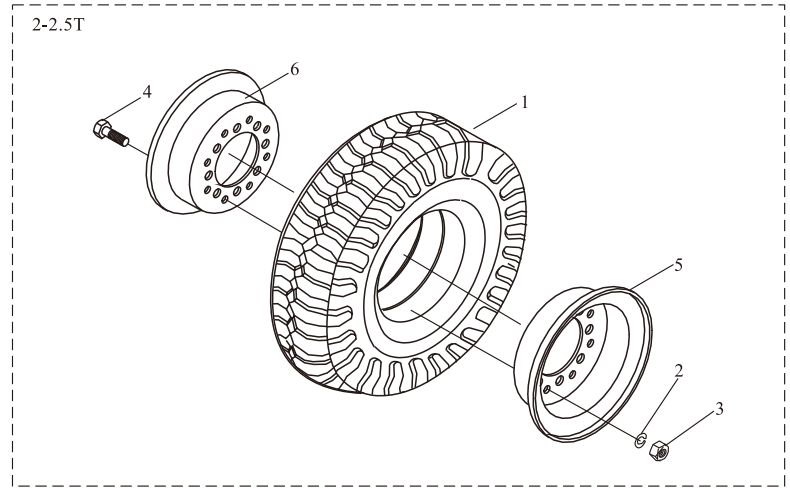
Drive axle

Item	Part No	Description	Q'ty	Remark
23	A30A5-02109	Nut	12	3-3.5t
-	A20A5-02109	Nut	12	2-2.5t
24	A30A5-02800	Wheel brake	1	3-3.5t
-	A20A5-02800	Wheel brake	1	2-2.5t
25	A30A5-03001	Nut	12	3-3.5t
-	A25I5-00103	Nut	12	2-2.5t
26	A30A5-03002	Nut	12	
27	A30A5-03003	Bolt	12	3-3.5t
-	A25I5-00104	Bolt	12	2-2.5t
28	D30C1-10504L	Fender	1	3-3.5t
-	D20C1-10001L	Fender	1	2-2.5t
29	D30C1-10504R	Fender	1	3-3.5t
-	D20C1-10001R	Fender	1	2-2.5t
30	D30C1-10004L	Fender	1	3-3.5t
-	D20C1-10002L	Fender	1	2-2.5t
31	D30C1-10004R	Fender	1	3-3.5t
-	D20C1-10002R	Fender </td <td>1</td> <td>2-2.5t</td>	1	2-2.5t
32	GB/T5783	M10×35 Bolt	6	
33	GB/T93	10 Washer,lock	6	
34	GB/T97.1	10 Washer	6	
35	GB/T889.1	M10 Nut	6	



Driving wheel assembly

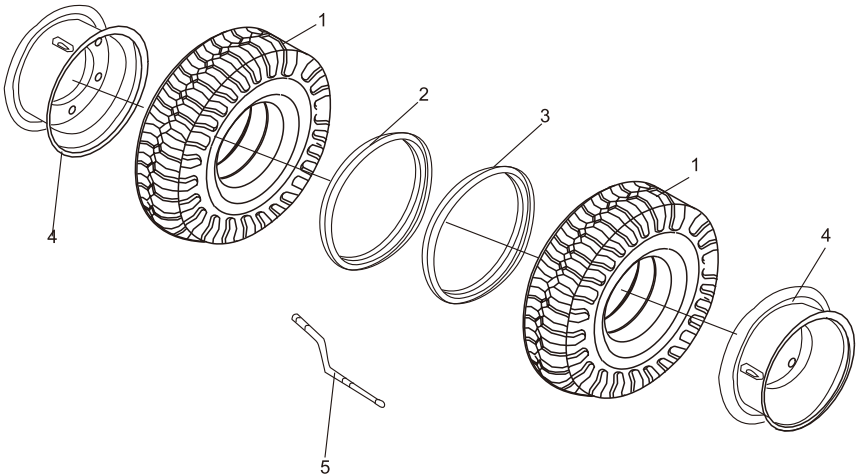
Item	Part No	Description	Q'ty	Remark
A	A30A5-01000	Well Rim ass'y(Inc.2,3)	2	3-3.5t
-	A20A5-01000	Well Rim ass'y	2	2-2.5t
1	GB/T2982	28×9-15-12PR Tyre	2	3-3.5t
-	GB/T2982	7.00-12-12PR Tyre	2	2-2.5t
2	GB/T93	16 Washer,lock	12	2-2.5t
3	GB/T6170	M16 Nut	12	2-2.5t
4	A20C5-00001	Bolt	12	2-2.5t
5	A20A5-01001	Rim outside	2	2-2.5t
6	A20A5-01002	Rim inside	2	2-2.5t
7	A30A5-01001	Whell Rim	2	3-3.5t
8	A30A5-01002	Snap ring	2	3-3.5t



Double driving wheel assembly

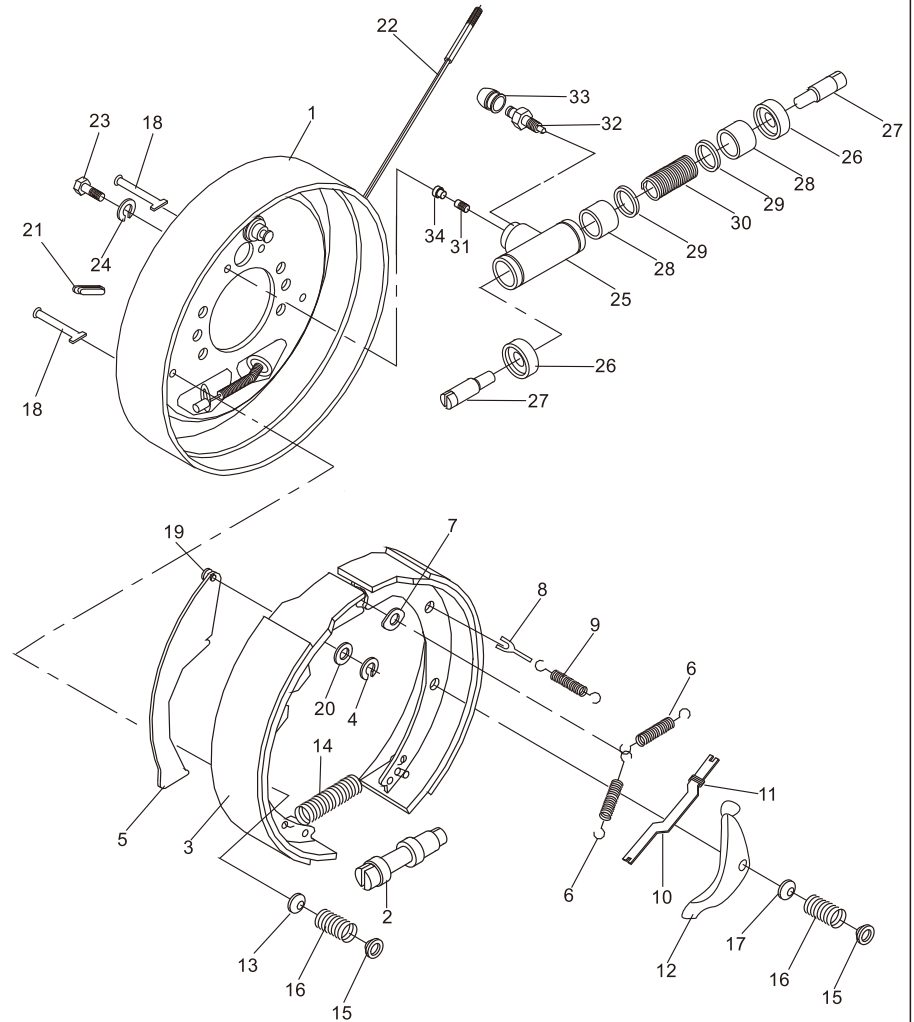
Item	Part No	Description	Q'ty	Remark
A	A30A5-01000	Whell Rim ass'y(Inc.2,4)	2	
B	A30A5-00100	Whell Rim ass'y(Inc.3,4)	2	
1	GB/T2982	28×9-15-12PR Tyre	4	
2	A30A5-01001	Whell Rim	2	
3	A30A5-00101	Whell Rim	2	
4	A30A5-01002	7.00T-15 Snap ring	4	
5	A50A5-00700	Pipe	2	

3-3.5T



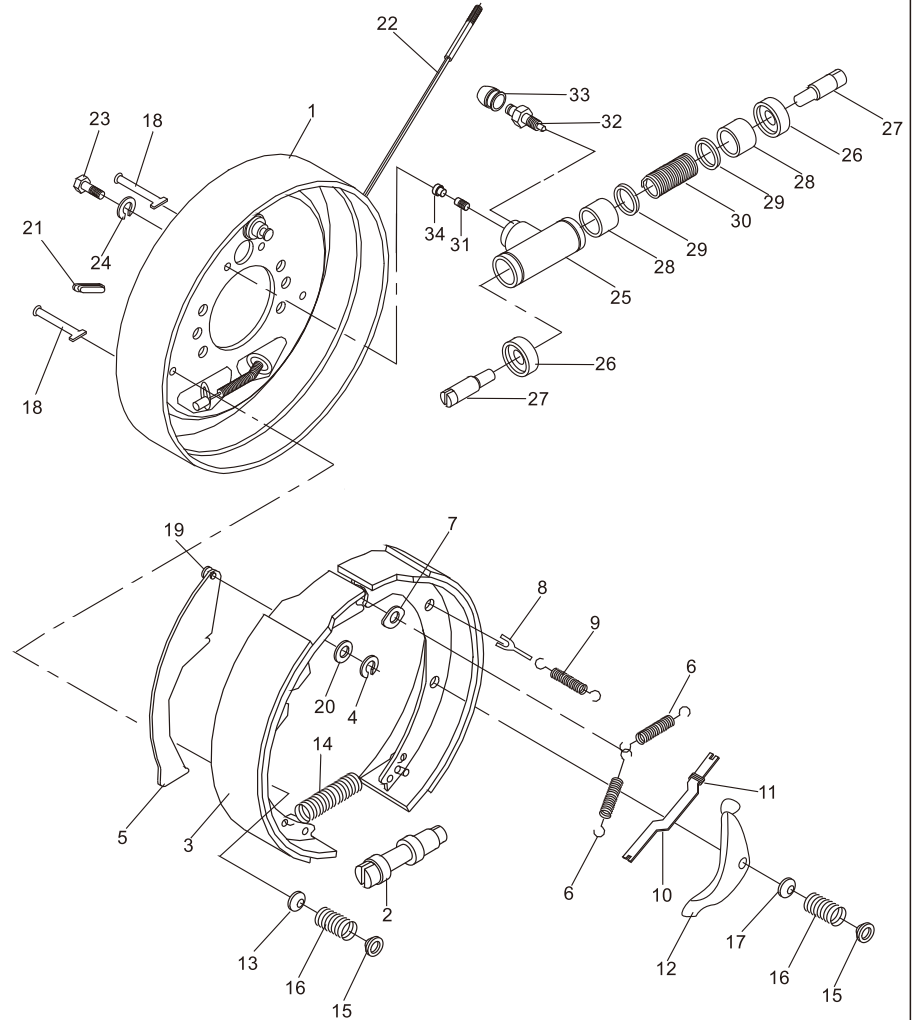
(2-2.5t) Wheel brake(2-2.5t)

Item	Part No	Description	Q'ty	Remark
A	A20A5-02800(L)	Wheel brake ass'y L.H.	1	
-	A20A5-02800(R)	Wheel brake ass'y R.H.	1	
1	A20A5-02913	Back plate ass'y	1	Left & right types
2	A20A5-02914	Clearance adjuster	1	Left & right threads
3	A20A5-02911	Brake shoe	2	
4	A30A5-02931	Washer spring	1	
5	A20A5-02929	Lever L.H. brake	1	
6	A20A5-02922	Spring return	2	Left & right types
7	A20A5-02921	Plate, shoe guide	1	
8	A20A5-02923	Stopper, pole lever	1	
9	A20A5-02924	Spring return	1	
10	A20A5-02927	Strut L.H.	1	
11	A20A5-02928	Spring	1	
12	A20A5-02915	Lever L.H. pole	1	Left & right types
13	A20A5-02917	Cup, shoe hold down	3	
14	A20A5-02920	Spring	1	
15	A20A5-02926	Cup, shoe hold down	4	
16	A20A5-02918	Spring	4	
17	A20A5-02925	Cup, shoe hold down	1	
18	A20A5-02916	Pin, shoe hold down	4	
19	A20A5-02930	Pin, lever	1	
20	A30A5-02932	Snap, ring, pin axle	1	
21	A30A5-02919	Plug, rubber	1	
22	A20A5-02933	Cable L.H.	1	
-	A20A5-02934	Cable L.H.	1	
23	GB/T5783	M8×16 Bolt	2	
24	GB/T93	8 Washer, lock	2	
B	A20A5-02900	Wheel cylinder ass'y	1	Left & right types
25	A20A5-02901	Cylinder	1	Left & right types
26	A20A5-02905	Cover dust	2	



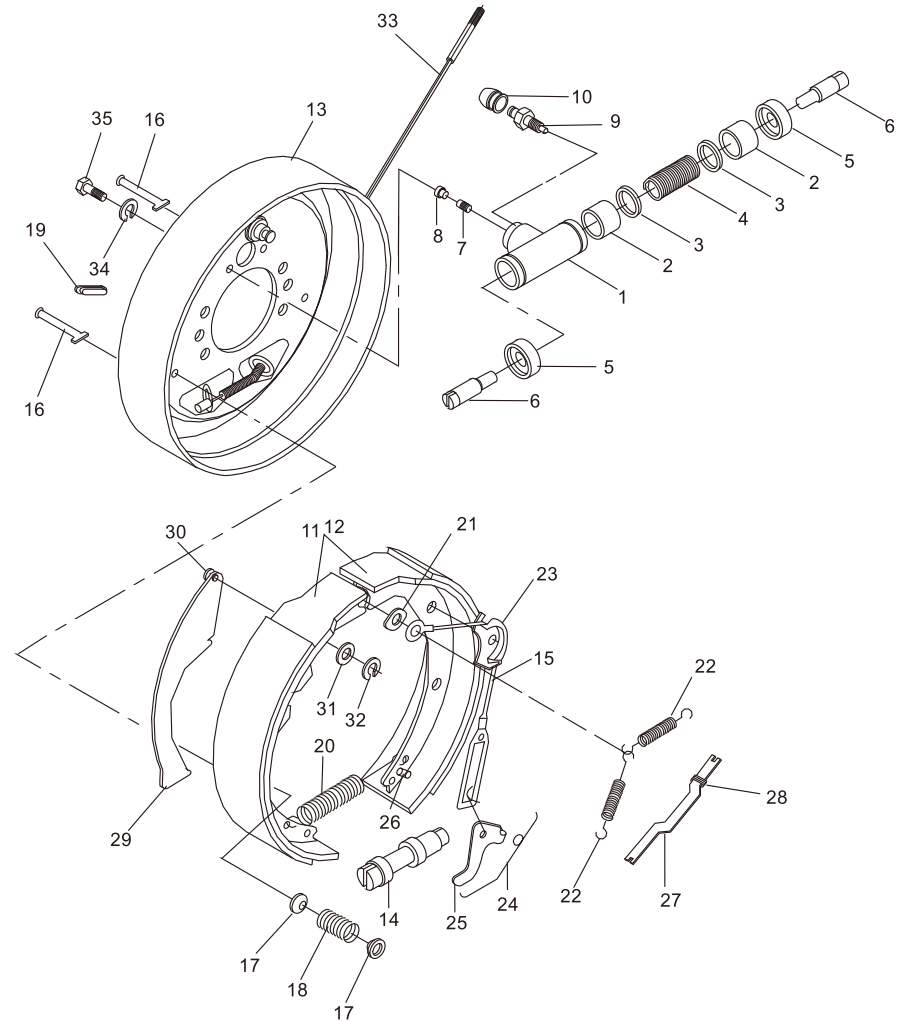
(2-2.5t) Wheel brake(2-2.5t)

Item	Part No	Description	Q'ty	Remark
27	A20A5-02906	Rod, piston	2	
28	A20A5-02902	Piston	2	
29	A20A5-02903	Cup, piston	2	
30	A20A5-02904	Spring	1	
31	A30A5-02907	Seat, tube	1	
32	A30A5-02909	Screw, bleeder	1	
33	A30A5-02910	Cap, screw	1	
34	A20A5-02908	Shroud	1	



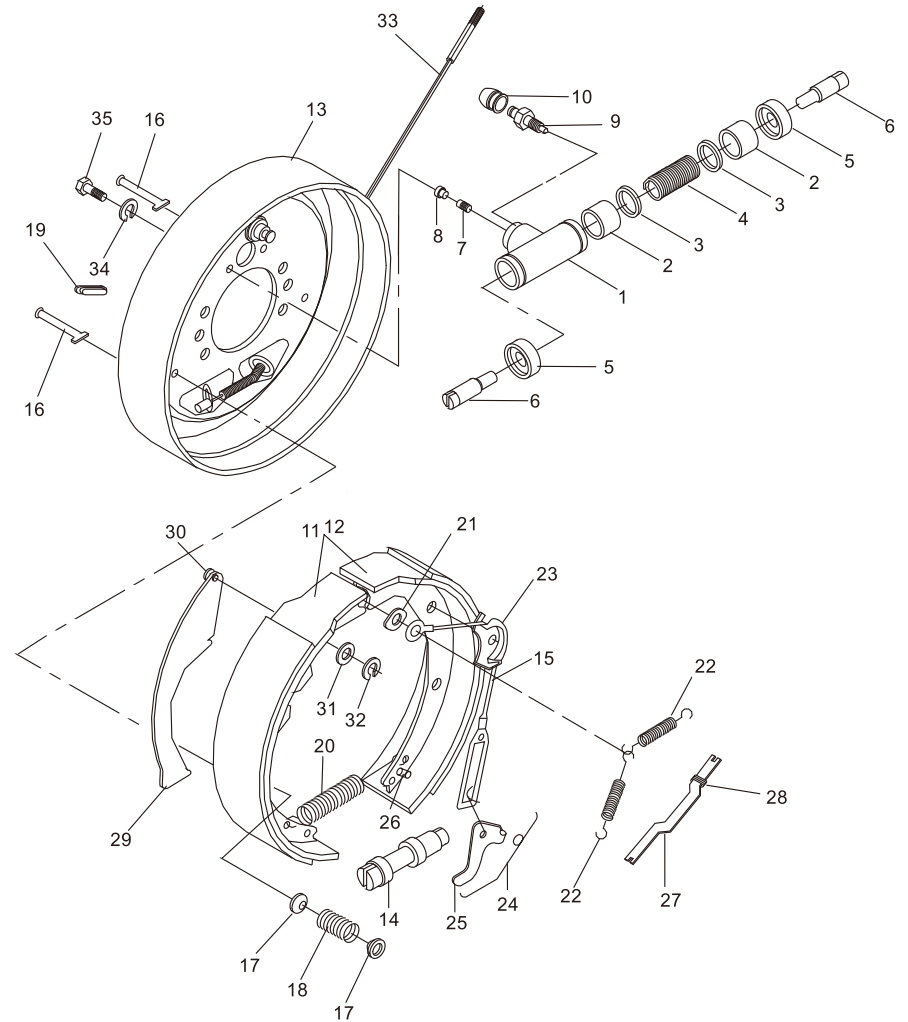
(3-3.5t) Wheel brake(3-3.5t)

Item	Part No	Description	Q'ty	Remark
A	A30A5-02800(L)	Wheel brake ass'y L.H.	1	
-	A30A5-02800(R)	Wheel brake ass'y R.H.	1	
B	A30A5-02900	Wheel cylinder ass'y	1	Left & right types
1	A30A5-02901	Cylinder	1	Left & right types
2	A30A5-02902	Piston	2	
3	A30A5-02903	Cup, piston	2	
4	A30A5-02904	Spring	1	
5	A30A5-02905	Cover, dust	2	
6	A30A5-02906	Rod, piston	2	
7	A30A5-02907	Seat, tube	1	
8	A30A5-02908	Shroud	1	
9	A30A5-02909	Screw, bleeder	1	
10	A30A5-02910	Cap, screw	1	
11	A30A5-02911	Pin, shoe & lining ass'y	1	
12	A30A5-02912	Pin, shoe & lining ass'y	1	
13	A30A5-02913	Back plate ass'y	1	Left & right types
14	A30A5-02914	Clearance adjuster	1	Left & right threads
15	A30A5-02915	Spring&Fitting ass'y	1	
16	A30A5-02916	Pin, shoe hold down	2	
17	A30A5-02917	Cup, shoe hold down	4	
18	A30A5-02918	Spring, shoe hold down	2	
19	A30A5-02919	Plug, rubber	1	
20	A30A5-02920	Spring return	1	
21	A30A5-02921	Guide, plate	1	
22	A30A5-02922	Return spring,brake shoe	2	
23	A30A5-02923	Guide, cable	1	
24	A30A5-02924	Spring	1	Left & right types
25	A30A5-02925	Lever	1	Left & right types
26	A30A5-02926	Pin	1	
27	A30A5-02927	Strut L. H.	1	Left & right types



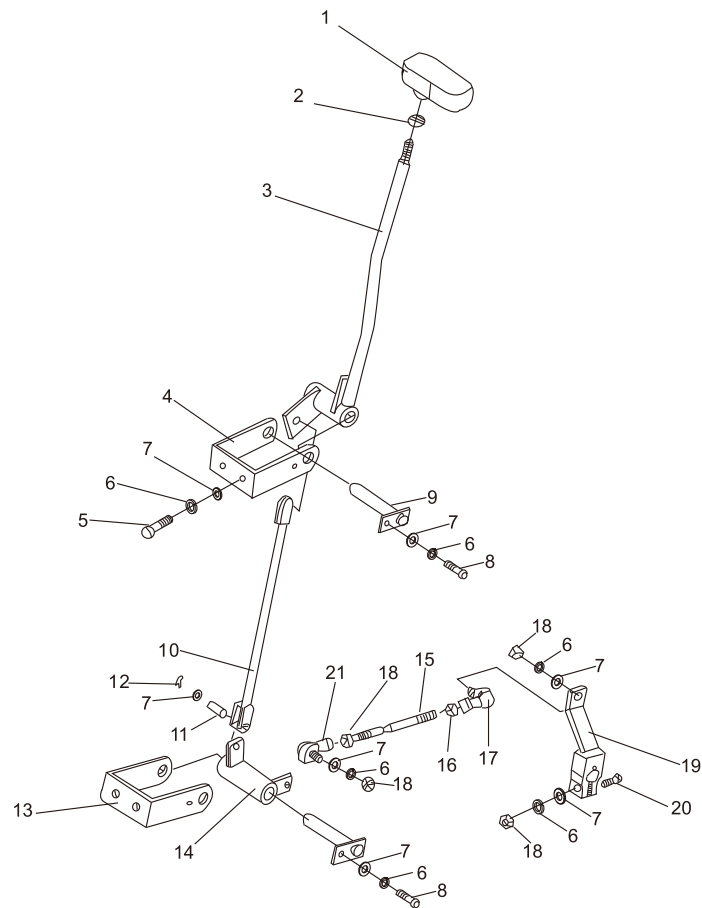
(3-3.5t) Wheel brake(3-3.5t)

Item	Part No	Description	Q'ty	Remark
28	A30A5-02928	Spring	1	
29	A30A5-02929	Lever L.H. brake	1	Left & right types
30	A30A5-02930	Pin	1	
31	A30A5-02931	Washer, spring	1	
32	A30A5-02932	Snap, ring, pin axle	1	
33	A30A5-02933	Cable L. H	1	
-	A30A5-02934	Cable R. H	1	
34	GB/T93	8 Washer,lock	2	
35	GB/T5783	M8×1.25×20 Bolt	2	



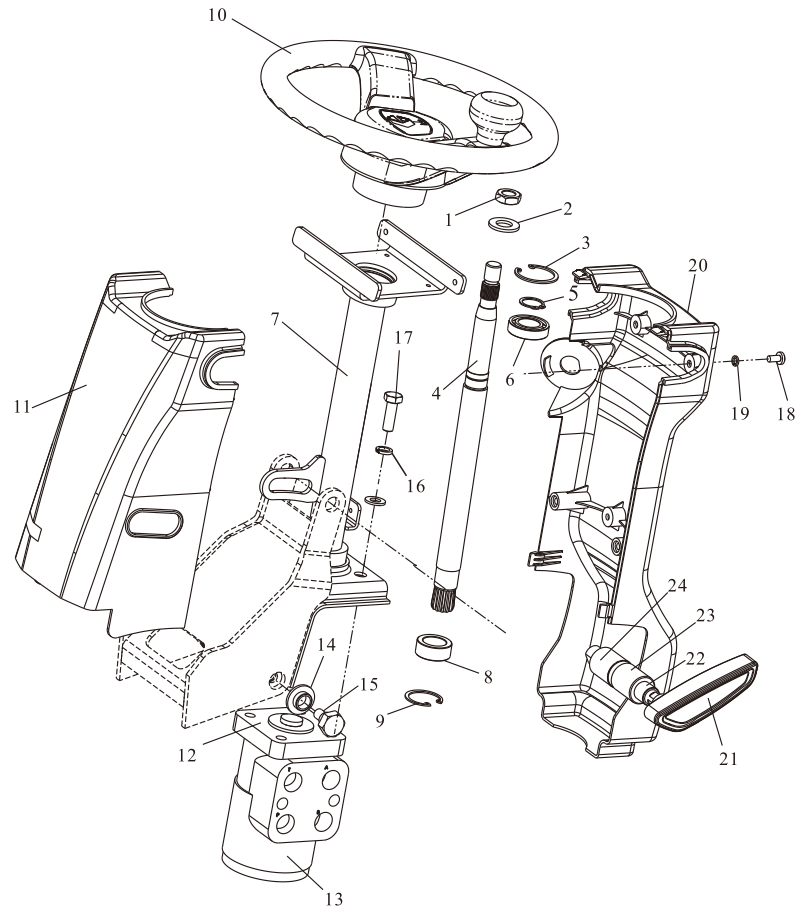
Transmission control linkage(tor-con type)

Item	Part No	Description	Q'ty	Remark
1	A30B5-01100	Handle	1	
2	GB/T6170	M10 Nut	1	
3	A30B5-01200	Lever	1	
4	A30B5-01800	Bracket (left)	1	
5	GB/T5783	M8×30 Bolt	4	
6	GB/T93	Washer	9	
7	GB/T97. 1	8 Washer	11	
8	GB/T5783	M8×25 Bolt	2	
9	A30B5-01300	Shaft	2	
10	A30B5-01400	Link	1	
11	GB/T882	8×18 Pin	2	
12	GB/T91	2.5×20 Pins	2	
13	A30B5-01700	Bracket (lower)	1	
14	A30B5-01500	Rocker ass'y	1	
15	A30B5-00003	Link	1	
16	GB/T6170	M8 Nut (left)	1	
17	A30B5-01005	Bearing	1	
18	GB/T6170	M8 Nut	4	
19	A30B5-01600	Link	1	
20	GB/T5783	M8×40 Bolt	1	
21	A30B5-01004	Bearing	1	



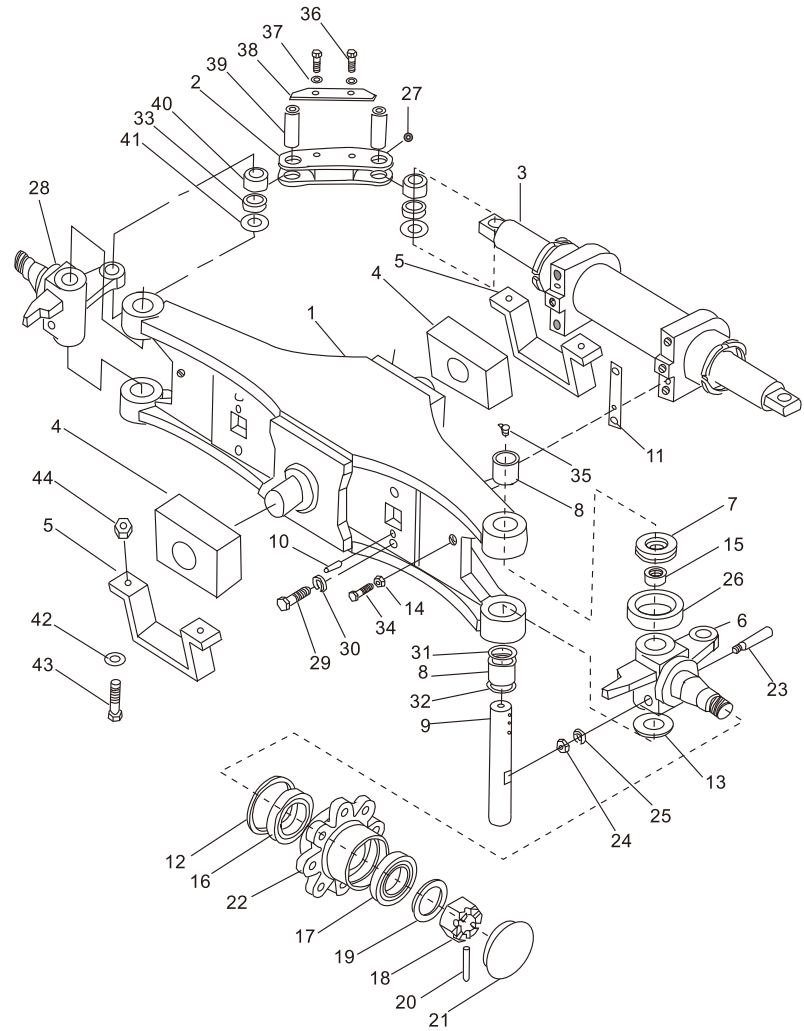
Steering system

Item	Part No	Description	Q'ty	Remark
1	GB/T 6173	M14×1.5 Nut	1	
2	GB/T 97.1	14 Washer	1	
3	GB/T 893.1	37 Snap ring	1	
4	A30DA6-00101	Steering axle	1	
5	GB/T 894.1	20 Snap ring	1	
6	GB/T 276-1994	61904 Bearing	1	
7	A30DA6-00110	Steering Column	1	
8	A30DA6-00102	Bushing	1	
9	GB/T 893.1	32 Snap ring	1	
10	A30DA6-00300	Wheel Steering ass'y	1	
11	A30DA6-00201	Cover	1	
12	A30A6-00006	Adjustable pad	1	
13	A30A4-40000	Redirector	1	
-	A25A4-40000	Redirector	1	
14	A30A6-00004	Washer	2	
15	A30A6-00005	Bolt	2	
16	GB/T 93	10 Washer,lock	4	
17	GB/T 5783	M10×30 Bolt	4	
18	GB/T 818	M6×12 Screw	5	
19	GB/T 97.1	6 Washer	5	
20	A30DA6-00202	Cover	1	
21	A15G6-00206	Locking handle	1	
22	A15G6-00205	Bolt	1	
23	A15G6-00202	II Clamping sleeve	1	
24	A15G6-00201	I Clamping sleeve	1	



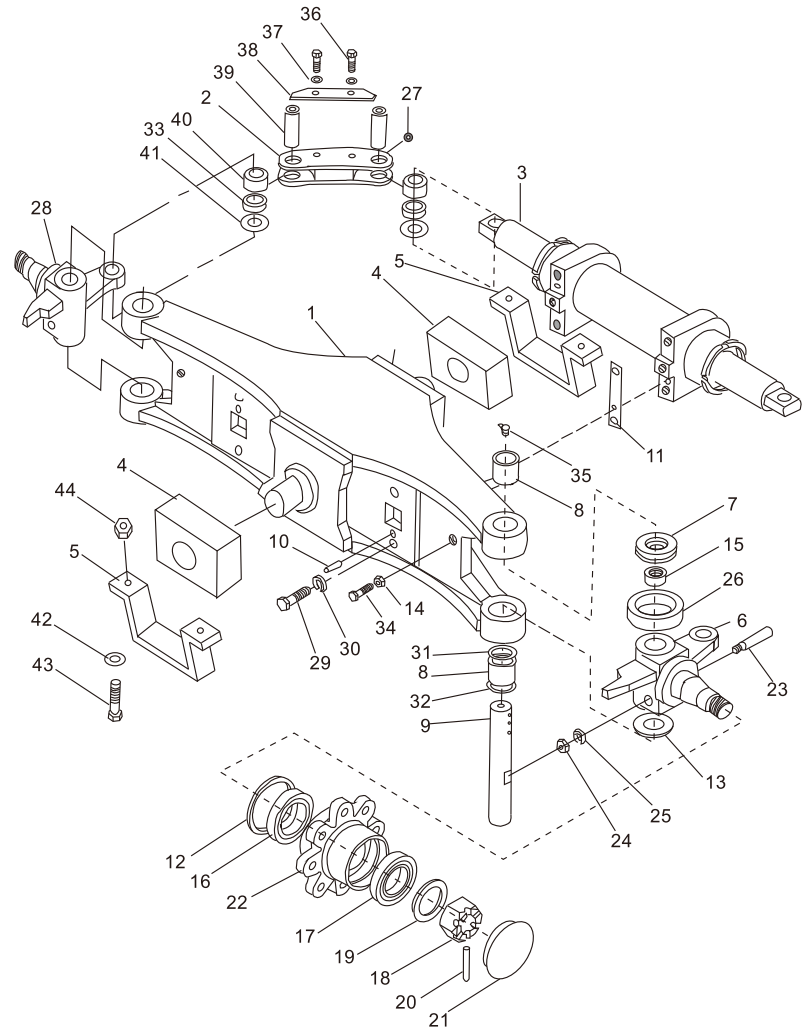
Steering axle

Item	Part No	Description	Q'ty	Remark
1	A30A6-10200	Axle ass'y	1	3-3.5t
-	A20A6-10200	Axle ass'y	1	2-2.5t
2	A30A6-10201	Link	2	
3	A30A6-10400	Power cylinder ass'y	1	
4	A30A6-10001	Rubber	2	
5	A30A6-10002	Bracket	2	
6	A30A6-10500(R)	Knuckle R. H. ass'y	1	
7	GB/T301	8208 Bearing	2	
8	GB/T290	943/32 Bearing	4	
9	A30A6-10202	Pin, king	2	
10	GB/T119.1	10×20 Pin	2	
11	A30A6-10203	Shim	4	
12	GB/T9877.1	B85×110×12D U-ring	2	
13	A30A6-10204	Shim	2	
14	GB/T6170	M12 Nut	2	
15	A30A6-10205	Cap	2	
16	GB/T297	30211 Bearing	2	
17	GB/T297	30207 Bearing	2	
18	A30A6-10206	M30×2 Nut	2	
19	GB/T97.1		2	
20	GB/T92	6 3×55 Pin	2	
21	A30A6-10207	Cap	2	
22	A30A6-10208	Hub	2	
23	A30A6-10209	Pin	2	
24	GB/T6171	M10×1.25 Nut	2	
25	GB/T97.1	10 Washer	2	
26	A30A6-10210	Bushing	2	
27	ZBT33001.1	M6 Fitting,grease	4	
28	A30A6-10500(L)	Knuckle L. H. ass'y	1	
29	GB/T5783	M14×45 Bolt	4	



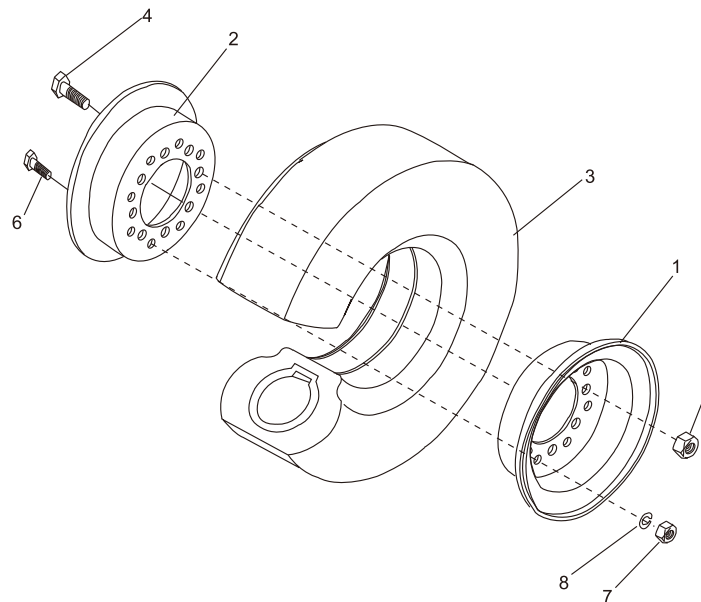
Steering axle

Item	Part No	Description	Q'ty	Remark
30	GB/T93	14 Washer, lock	4	
31	A30A6-10211	O-ring	2	
32	A30A6-10212	Seal, oil	2	
33	A30A6-10213	Bushing	4	
34	A30A6-10214	Bolt	2	
35	ZBT33001.2	90° Fitting,grease	2	
36	GB/T5783	M8×18 Bolt	4	
37	GB/T93	8 Washer, lock	4	
38	A30A6-10216		2	
39	A30A6-10217	Pin	4	
40	A30A6-10218	ES Bearing	4	
41	A30A6-10219	Shim	4	
42	GB/T97.1	16 Washer	8	
43	GB/T5783	M16×40 Bolt	4	
44	GB/T889.1	M16 Nut	4	



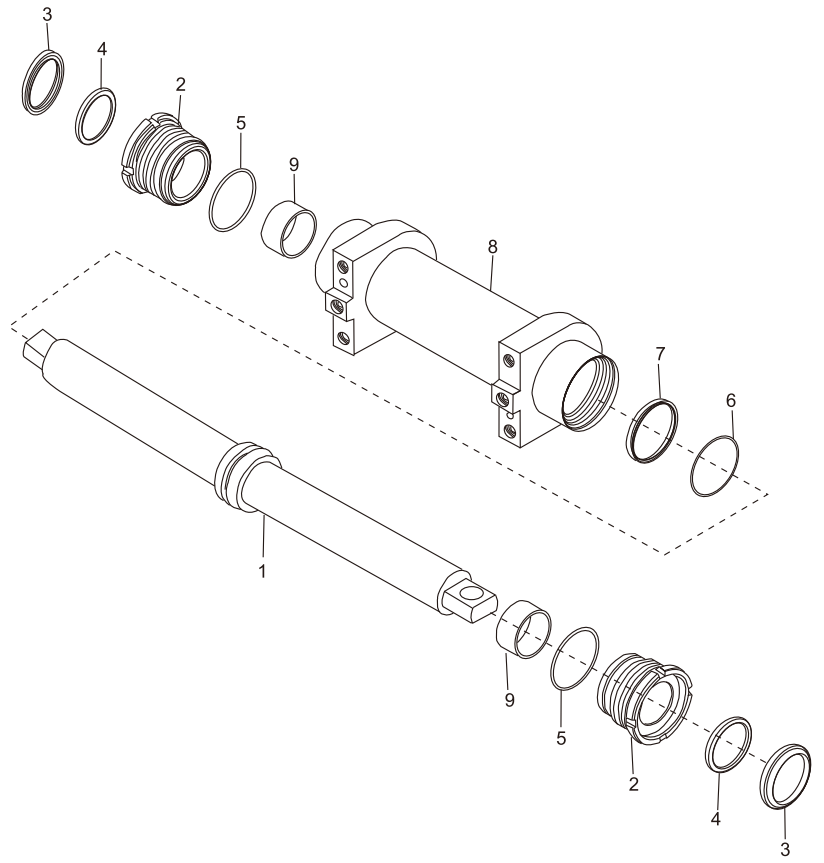
Steering wheel

Item	Part No	Description	Q'ty	Remark
1	A30A6-10301	Rim outside	2	3-3.5t
-	A20A6-10301	Rim outside	2	2-2.5t
2	A30A6-10302	Rim inside	2	3-3.5t
-	A20A6-10302	Rim inside	2	2-2.5t
3	GB/T2982	6. 50×10-10PR Tire	2	3-3.5t
-	GB/T2982	6. 00-9-10PR Tire	2	2-2.5t
4	A30A6-10006	Bolt	16	
5	A30A6-10004	Nut	16	
6	A30A6-10005	Bolt	16	
7	GB/T6170	M12 Nut	16	
8	GB/T93	12 Washer, lock	16	



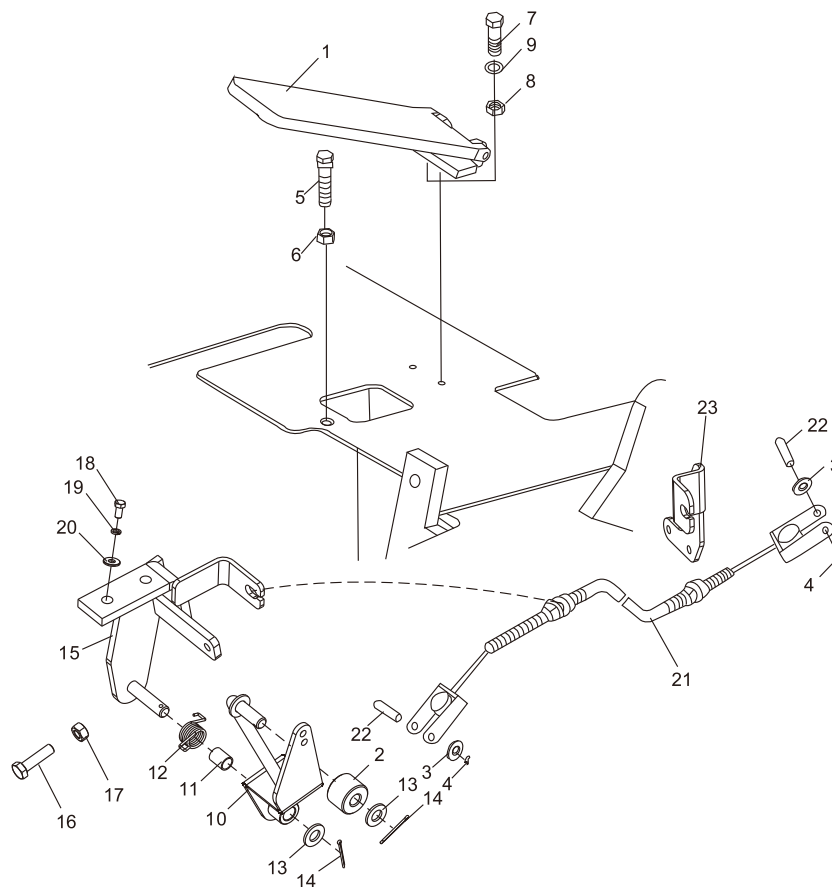
Steering cylinder

Item	Part No	Description	Q'ty	Remark
A	A30A6-10400	Power cylinder ass'y	1	
1	A30A6-10600	Piston rod ass'y	1	
2	A30A6-10401	Cap	2	
3	A30A6-10402	50×72 Seal, dust	2	
4	A30A6-10406	50×65×9 Yx-ring	2	
5	GB/T3452. 1	63×3. 55 O-ring	2	
6	GB/T3452. 1	60×3. 55 O-ring	1	
7	A30A6-10403	Seal, slipper	1	
8	A30A6-10404	Body, power steering	1	
9	A30A6-10405	5030 Bearing	2	



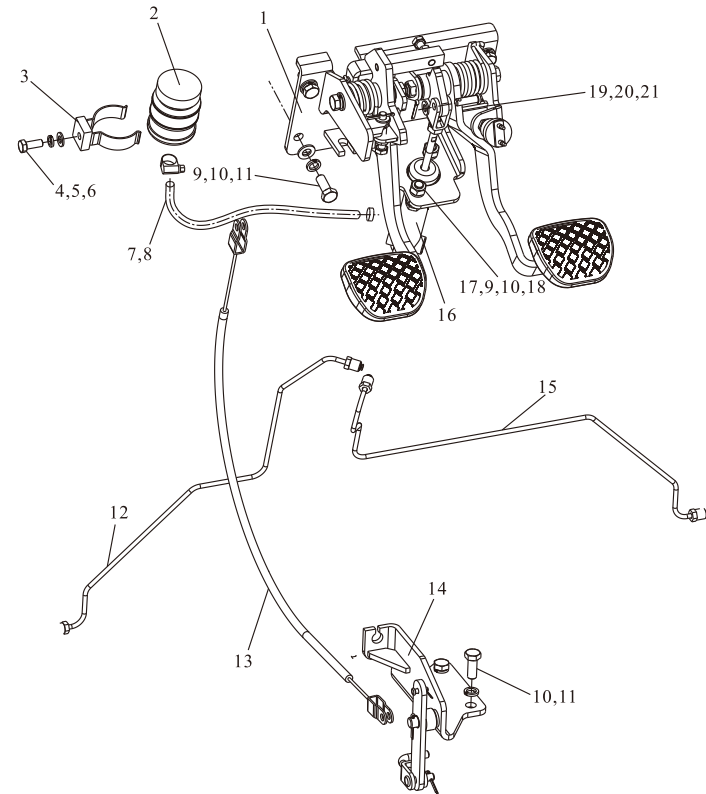
Accelerator pedal

Item	Part No	Description	Q'ty	Remark
1	A30A7-30100	Accelerator pedal ass'y	1	
2	A30C7-30204	Sheave	1	
3	GB/T97.1	6 Washer	2	
4	GB/T91	2×16 Pin	2	
5	A30A7-30002	Bolt	1	
6	GB/T6170	M12 Nut	1	
7	GB/T5783	M6×20 Bolt	2	
8	GB/T6170	M6 Nut	2	
9	GB/T93	6 Washer,lock	2	
10	A30C7-30310	Link, ass'y	1	
11	A30C7-30307	1015 Bushing	1	
12	A30C7-30306	Spring	1	
13	GB/T97.1	10 Washer	2	
14	GB/T91	2×24 Pin	2	
15	Y30A7-30410	Bracket	1	
16	GB/T5783	M8×30 Bolt	1	
17	GB/T6170	M8 Nut	1	
18	GB/T5783	M8×20 Bolt	2	
19	GB/T93	8 Washer,lock	2	
20	GB/T97.1	8 Washer	2	
21	A30D7-30200	Soft shaft	1	FD20~35-Y1/Y2/Y3
-	A30E7-30100	Soft shaft	1	FY20~35-R1/R2
-	A30BA7-30100	Soft shaft	1	FD20~35-S2/S5
-	A30D7-30200	Soft shaft	1	FD30G-W1
22	GB/T882	B6×16 Pin	2	
23	A30H7-30001	Bracket	1	FD30,35-Y3



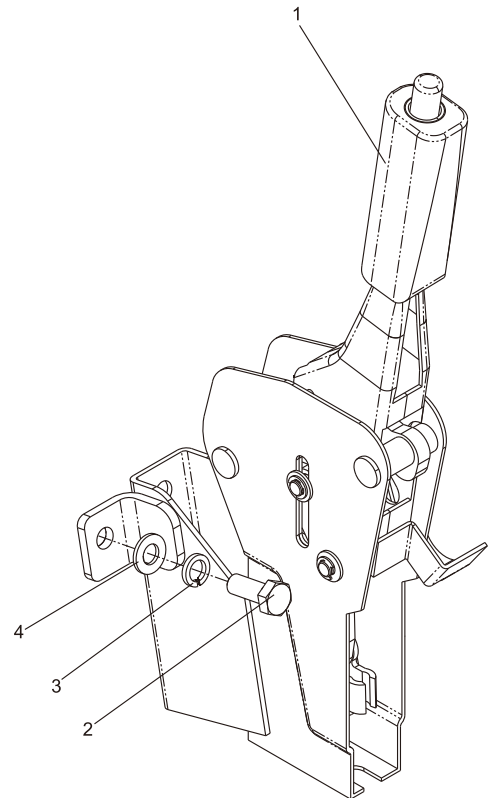
Brake & inching control

Item	Part No	Description	Q'ty	Remark
1	A30DA7-11000	Pedal,Brake	1	
2	A45G7-10800	Fitting	1	
3	A30A7-10001	37 Clip	1	
4	GB/T 5783	M8×20 Bolt	1	
5	GB/T 93	8 Washer, lock	1	
6	GB/T 97.1	8 Washer	1	
7	JB/T 8870	16×10 Clip	2	
8	TG000-10050	φ 10×500 Hose	1	
9	GB/T 97.1	10 Washer	6	
10	GB/T 93	10 Washer, lock	8	
11	GB/T 5783	M10×25 Bolt	6	
12	A30DA7-10100	Pipe ass'y	1	
13	A30DA7-10300	Cable assembly, inching	1	
14	A22A7-10300	Plate, brake	1	
15	A30DA7-10200	Pipe ass'y	1	
16	A30A7-10100	Brake cylinder	1	
17	GB/T 5783	M10×30 Bolt	2	
18	GB/T 6170	M10 Nut	2	
19	GB/T 882	8×26 Pin, clevis	1	
20	GB/T 97.1	8 Washer	1	
21	GB/T 91	3.2×22 Pin	1	



Brake lever

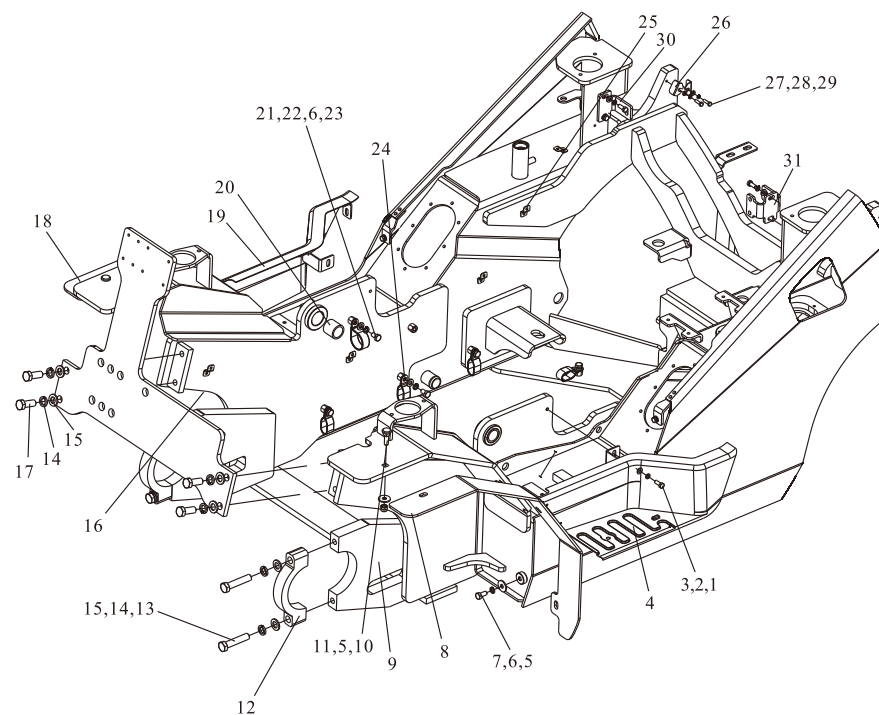
Item	Part No	Description	Q'ty	Remark
1	A30DA7-20100	Hand brake ass'y	1	
2	GB/T 5783	M10×25 Bolt	2	
3	GB/T 93	10 Washer, lock	2	
4	GB/T 97.1	10 Washer	2	



Frame system

Item	Part No	Description	Q'ty	Remark
1	GB/T 97.1	8 Washer	8	
2	GB/T 93	8 Washer,lock	8	
3	GB/T 5783	M8×20 Bolt	8	
4	D30DA1-10700L	Corner plate(L)	1	
5	GB/T 96	10 Washer	6	
6	GB/T 93	10 Washer,lock	12	
7	GB/T 5783	M10×20 Bolt	2	
8	D30DA1-10002L	Fender(L)	1	
9	D30DA1-10100	Frame	1	
-	D30DC1-10100	Frame	1	
-	D30DF1-10100	Frame	1	
-	D30DE1-10100	Frame	1	
-	D30DE1-10500	Frame	1	LPG
-	D30DH1-10100	Frame	1	
-	D30DL1-10100	Frame	1	
10	D30DA1-10004	Bolt	4	
11	GB/T 889.1	M10 Nut	4	
12	M30A3-00001	Cap	2	
13	GB/T 5785	M16×1.5×75 Bolt	4	
14	GB/T93	16 Washer,lock	8	
15	GB/T 97.1	16 Washer	8	
16	D30DA1-10600	Plate	1	
17	GB/T 5786	M16×1.5×40 Bolt	4	
18	D30DA1-10002R	Fender(R)	1	
19	D30DA1-10700R	Corner plate(R)	1	
20	D22A1-10005	Bearing	2	
21	D30A1-11002	Clip	1	
22	GB/T 97.1	10 Washer	9	
23	GB/T5783	M10×16 Bolt	10	
24	D30A1-11008	Clip	9	

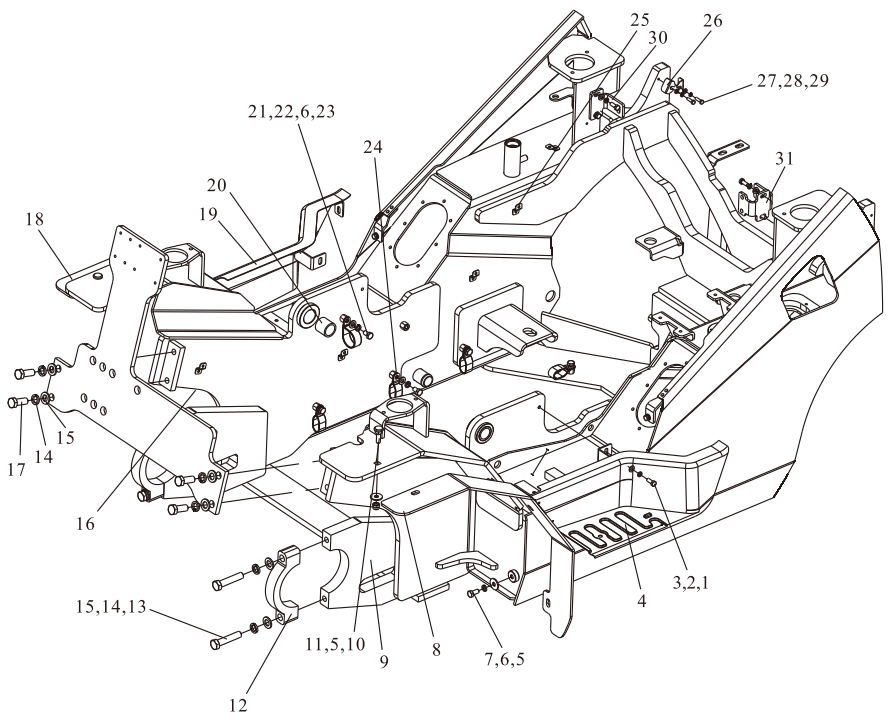
FD30/35S-Y2/Y3/S2/S5
FY30/35S-R2
FD30G-W1/DS1



Frame system

Item	Part No	Description	Q'ty	Remark
25	D30DA1-10800	Pipe trap diagram	1	
26	D30PI1-10002	Plate	4	
27	GB/T5783	M6×20 Bolt	4	
28	GB/T 93	6 Washer,lock	4	
29	GB/T 97.1	6 Washer	4	
30	D30DN1-10001	support	1	
31	D30DN1-10002	support	1	

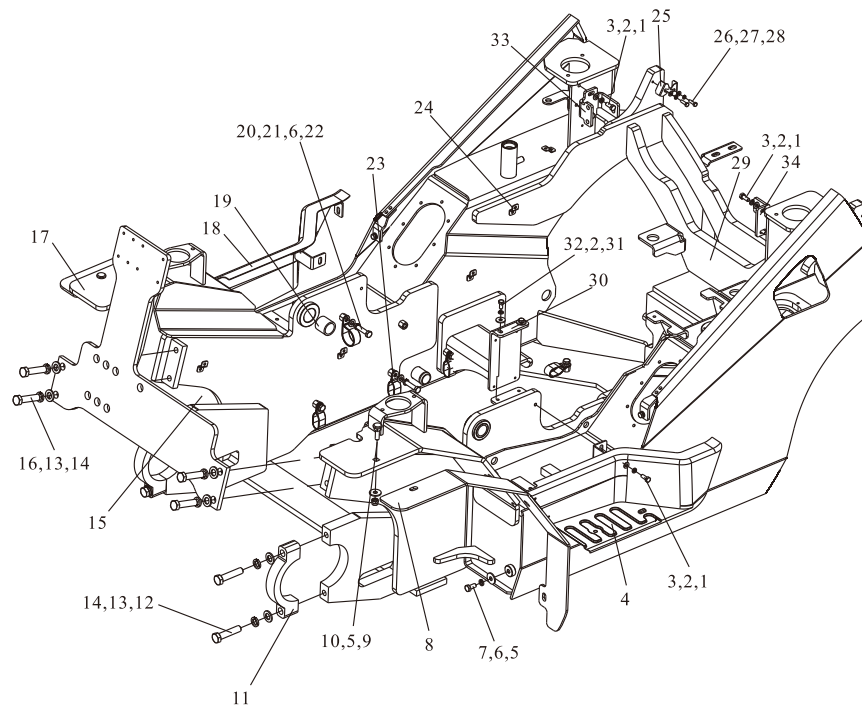
FD30/35S-Y2/Y3/S2/S5
FY30/35S-R2
FD30G-W1/DS1



Frame system

Item	Part No	Description	Q'ty	Remark
1	GB/T 97.1	8 Washer	8	
2	GB/T 93	8 Washer,lock	10	
3	GB/T 5783	M8×20 Bolt	8	
4	D30DA1-10700L	Corner plate(L)	1	
5	GB/T 96	10 Washer	6	
6	GB/T 93	10 Washer,lock	12	
7	GB/T 5783	M10×20 Bolt	2	
8	D30DA1-10002L	Fender(L)	1	
9	D30DA1-10004	Bolt	4	
10	GB/T 889.1	M10 Nut	4	
11	M30A3-00001	Cap	2	
12	GB/T 5785	M16×1.5×75 Bolt	4	
13	GB/T93	16 Washer,lock	8	
14	GB/T 97.1	16 Washer	8	
15	D30DA1-10600	Plate	1	
16	GB/T 5786	M16×1.5×40 Bolt	4	
17	D30DA1-10002R	Fender(R)	1	
18	D30DA1-10700R	Corner plate(R)	1	
19	D22A1-10005	Bearing	2	
20	D30A1-11002	Clip	1	
21	GB/T 97.1	10 Washer	9	
22	GB/T5783	M10×16 Bolt	10	
23	D30A1-11008	Clip	9	
24	D30DA1-10800	Pipe trap diagram	1	
25	D30PI1-10002	Plate	4	
26	GB/T5783	M6×20 Bolt	4	
27	GB/T 93	6 Washer,lock	4	
28	GB/T 97.1	6 Washer	4	
29	D30DB1-10100	Frame	1	
30	D30C1-10005	ECU Plate	1	

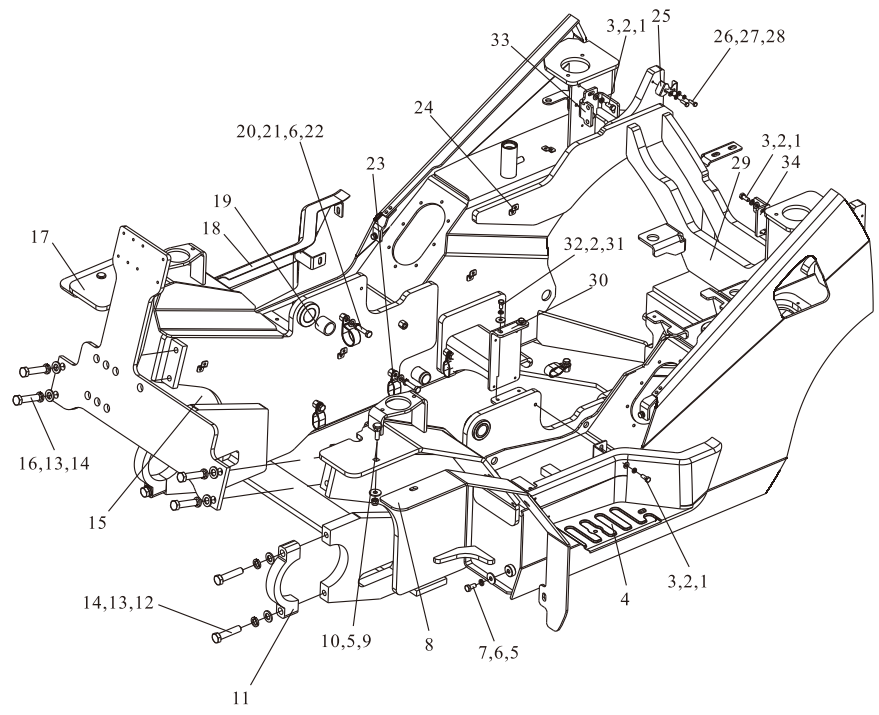
FD30/35S-X24



Frame system

Item	Part No	Description	Q'ty	Remark
31	GB/T 96	8 Washer	2	
32	GB/T 5783	M8×16 Bolt	2	
33	D30DB1-10001	support	1	
34	D30DN1-10002	support	1	

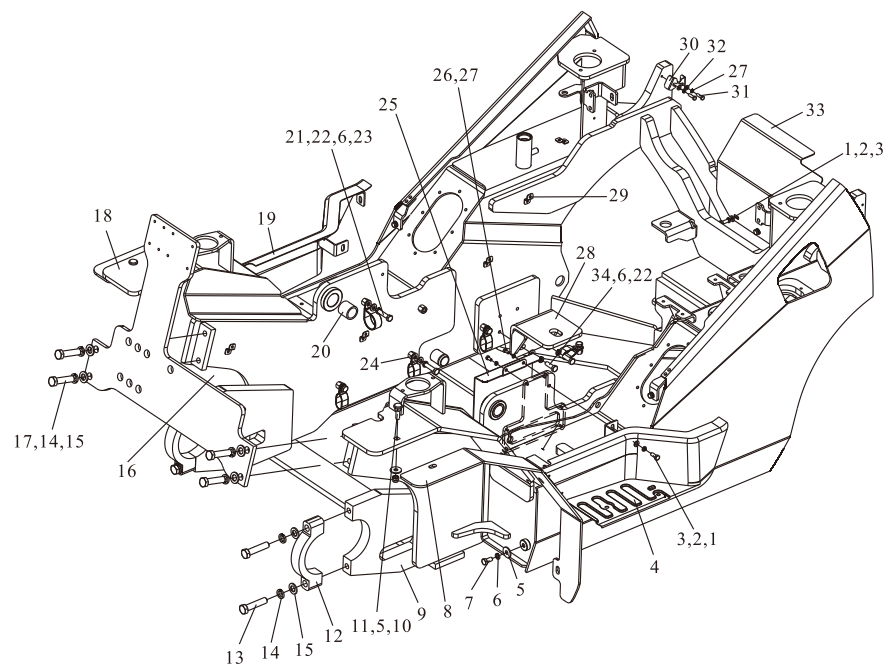
FD30/35S-X24



Frame system

Item	Part No	Description	Q'ty	Remark
1	GB/T 97.1	8 Washer	7	
2	GB/T 93	8 Washer,lock	7	
3	GB/T 5783	M8×20 Bolt	7	
4	D30DA1-10700L	Corner plate(L)	1	
5	GB/T 96	10 Washer	6	
6	GB/T 93	10 Washer,lock	20	
7	GB/T 5783	M10×20 Bolt	2	
8	D30DA1-10002L	Fender(L)	1	
9	D30DD1-10100	Frame	1	
10	D30DA1-10004	Bolt	4	
11	GB/T 889.1	M10 Nut	4	
12	M30A3-00001	Cap	2	
13	GB/T 5785	M16×1.5×75 Bolt	4	
14	GB/T93	16 Washer,lock	8	
15	GB/T 97.1	16 Washer	8	
16	D30DA1-10600	Plate	1	
17	GB/T 5786	M16×1.5×40 Bolt	4	
18	D30DA1-10002R	Fender(R)	1	
19	D30DA1-10700R	Corner plate(R)	1	
20	D22A1-10005	Bearing	2	
21	D30A1-11002	Clip	1	
22	GB/T 97.1	10 Washer	17	
23	GB/T5783	M10×16 Bolt	10	
24	D30A1-11008	Clip	9	
25	D30DD1-10001	Cover	1	
26	GB/T5783	M6×10 Bolt	2	
27	GB/T 93	6 Washer,lock	6	
28	D30HG1-10800	Frame mount	2	
29	D30DD1-10300	Pipe trap diagram	1	
30	D30PI1-10002	Plate	4	

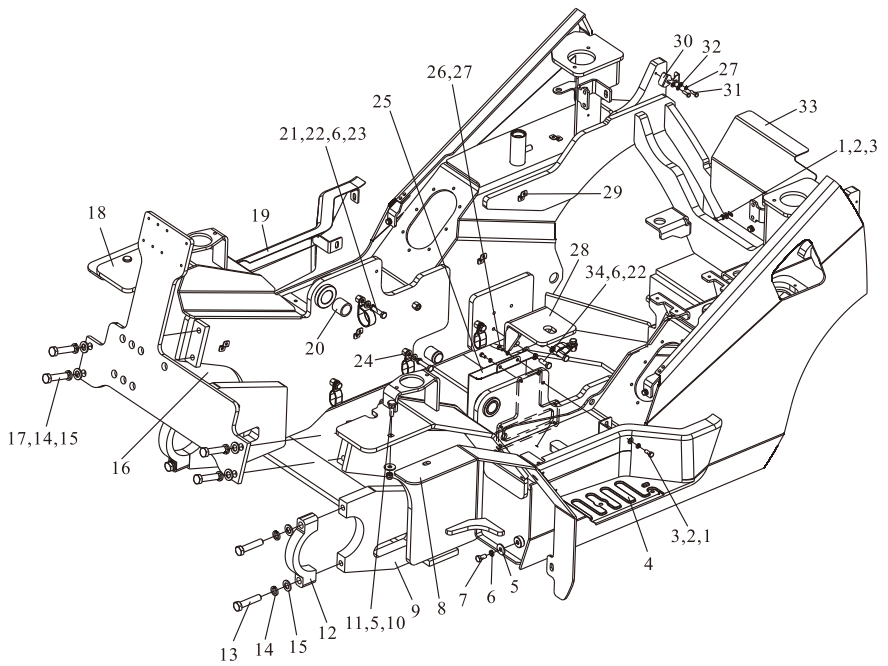
FD30/35S-S14



Frame system

FD30/35S-S14

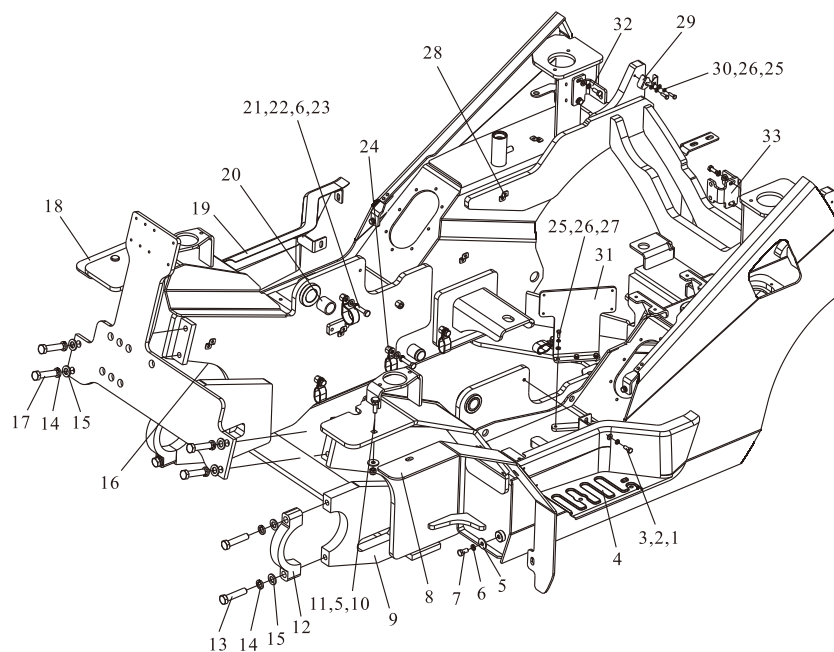
Item	Part No	Description	Q'ty	Remark
31	GB/T5783	M6×20 Bolt	4	
32	GB/T 97.1	6 Washer	4	
33	D30DD1-10002	DOC Plate	1	
34	GB/T5783	M10×30 Bolt	8	



Frame system

Item	Part No	Description	Q'ty	Remark
1	GB/T 97.1	8 Washer	8	
2	GB/T 93	8 Washer,lock	8	
3	GB/T 5783	M8×20 Bolt	8	
4	D30DA1-10700L	Corner plate(L)	1	
5	GB/T 96	10 Washer	6	
6	GB/T 93	10 Washer,lock	12	
7	GB/T 5783	M10×20 Bolt	2	
8	D30DA1-10002L	Fender(L)	1	
9	D30DI1-10100	Frame	1	
10	D30DA1-10004	Bolt	4	
11	GB/T 889.1	M10 Nut	4	
12	M30A3-00001	Cap	2	
13	GB/T 5785	M16×1.5×75 Bolt	4	
14	GB/T93	16 Washer,lock	8	
15	GB/T 97.1	16 Washer	8	
16	D30DA1-10600	Plate	1	
17	GB/T 5786	M16×1.5×40 Bolt	4	
18	D30DA1-10002R	Fender(R)	1	
19	D30DA1-10700R	Corner plate(R)	1	
20	D22A1-10005	Bearing	2	
21	D30A1-11002	Clip	1	
22	GB/T 97.1	10 Washer	9	
23	GB/T5783	M10×16 Bolt	10	
24	D30A1-11008	Clip	9	
25	GB/T 97.1	6 Washer	7	
26	GB/T 93	6 Washer,lock	7	
27	GB/T5783	M6×16 Bolt	3	
28	D30DA1-10800	Pipe trap diagram	1	
29	D30PI1-10002	Plate	4	
30	GB/T5783	M6×20 Bolt	4	

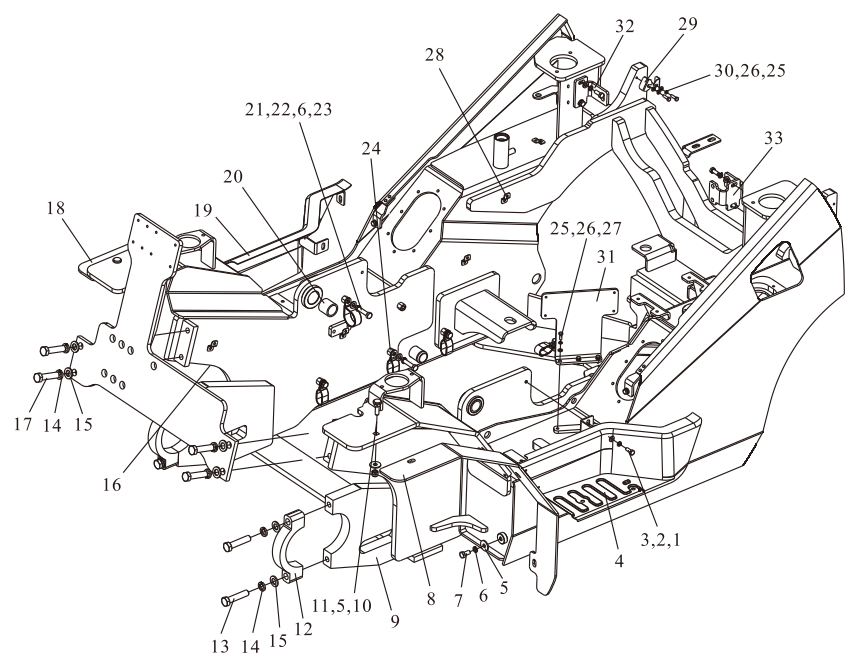
FD30G-H3



Frame system

FD30G-H3

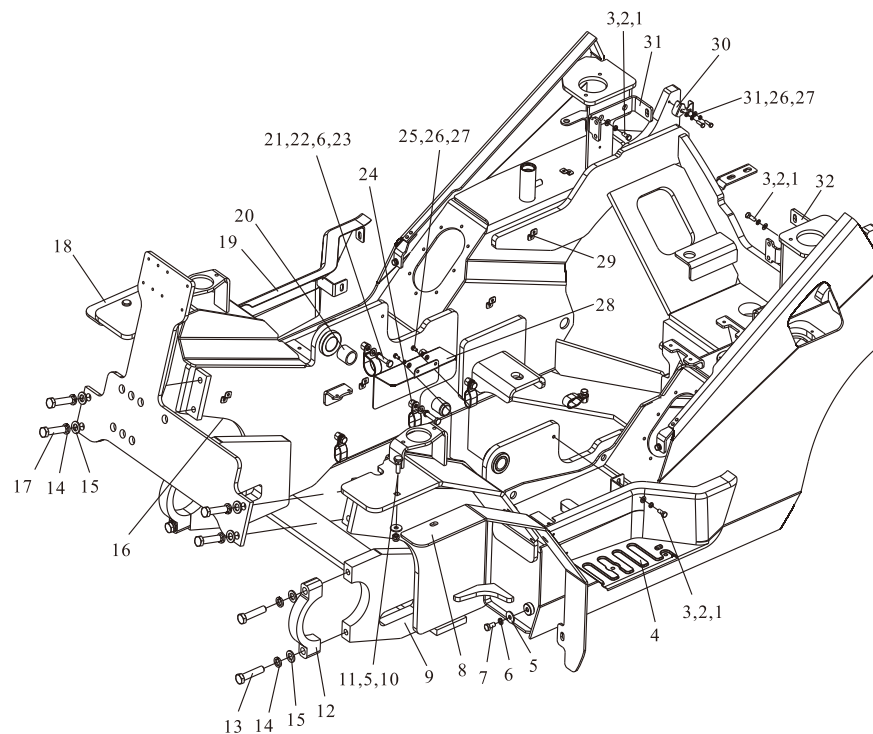
Item	Part No	Description	Q'ty	Remark
31	D30DI1-10103	ECU Plate	1	
32	D30DJ1-10001	support. R	1	
33	D30DJ1-10101	support	1	



Frame system

Item	Part No	Description	Q'ty	Remark
1	GB/T 97.1	8 Washer	8	
2	GB/T 93	8 Washer,lock	8	
3	GB/T 5783	M8×20 Bolt	8	
4	D30DA1-10700L	Corner plate(L)	1	
5	GB/T 96	10 Washer	6	
6	GB/T 93	10 Washer,lock	12	
7	GB/T 5783	M10×20 Bolt	2	
8	D30DA1-10002L	Fender(L)	1	
9	D30DJ1-10100	Frame	1	
10	D30DA1-10004	Bolt	4	
11	GB/T 889.1	M10 Nut	4	
12	M30A3-00001	Cap	2	
13	GB/T 5785	M16×1.5×75 Bolt	4	
14	GB/T93	16 Washer,lock	8	
15	GB/T 97.1	16 Washer	8	
16	D30DA1-10600	Plate	1	
17	GB/T 5786	M16×1.5×40 Bolt	4	
18	D30DA1-10002R	Fender(R)	1	
19	D30DA1-10700R	Corner plate(R)	1	
20	D22A1-10005	Bearing	2	
21	D30A1-11002	Clip	1	
22	GB/T 97.1	10 Washer	9	
23	GB/T5783	M10×16 Bolt	10	
24	D30A1-11008	Clip	9	
25	GB/T5783	M6×12 Bolt	2	
26	GB/T 93	6 Washer,lock	6	
27	GB/T 97.1	6 Washer	6	
28	D30PP1-10003	Water shield	1	
29	D30DA1-10800	Pipe trap diagram	1	
30	D30PI1-10002	Plate	4	

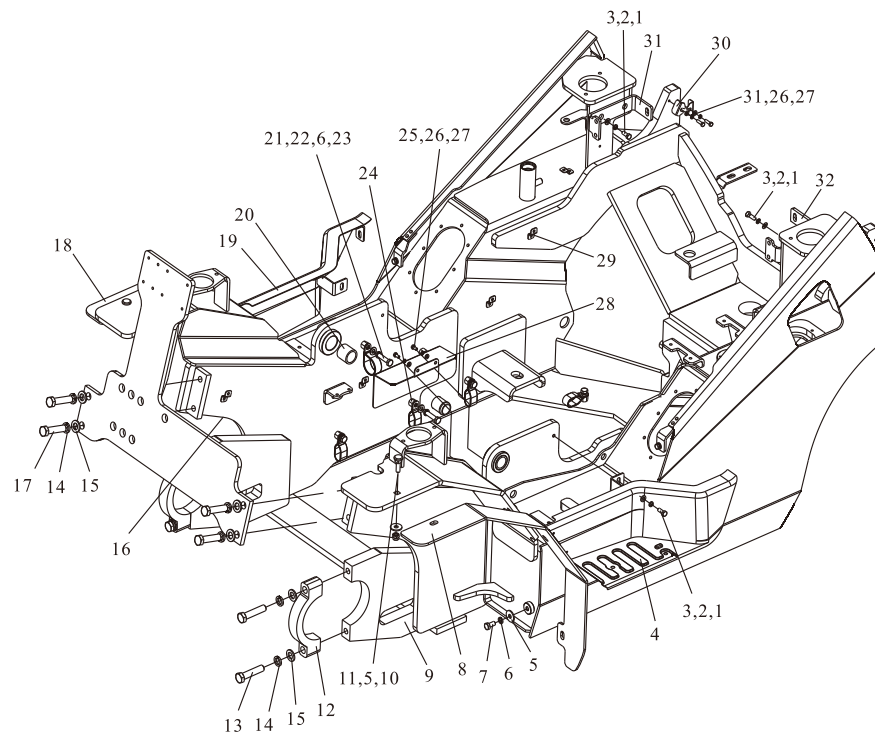
FD30G-D2



Frame system

Item	Part No	Description	Q'ty	Remark
31	GB/T5783	M6×20 Bolt	4	
32	D30DJ1-10001	support. R	1	
33	D30DJ1-10101	support	1	

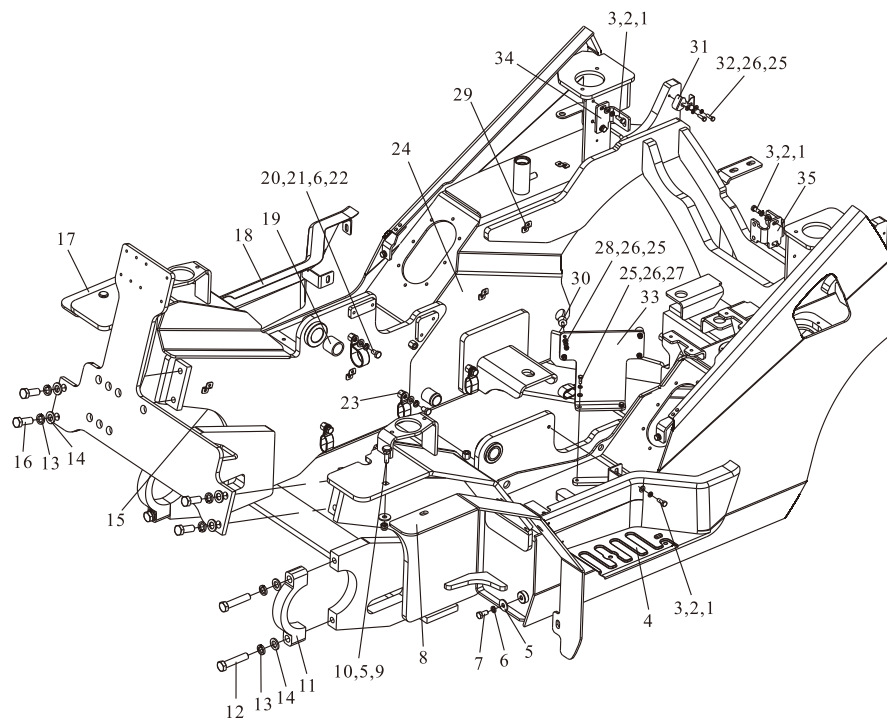
FD30G-D2



Frame system

Item	Part No	Description	Q'ty	Remark
1	GB/T 97.1	8 Washer	8	
2	GB/T 93	8 Washer,lock	8	
3	GB/T 5783	M8×20 Bolt	8	
4	D30DA1-10700L	Corner plate(L)	1	
5	GB/T 96	10 Washer	6	
6	GB/T 93	10 Washer,lock	12	
7	GB/T 5783	M10×20 Bolt	2	
8	D30DA1-10002L	Fender(L)	1	
9	D30DA1-10004	Bolt	4	
10	GB/T 889.1	M10 Nut	4	
11	M30A3-00001	Cap	2	
12	GB/T 5785	M16×1.5×75 Bolt	4	
13	GB/T93	16 Washer,lock	8	
14	GB/T 97.1	16 Washer	8	
15	D30DA1-10600	Plate	1	
16	GB/T 5786	M16×1.5×40 Bolt	4	
17	D30DA1-10002R	Fender(R)	1	
18	D30DA1-10700R	Corner plate(R)	1	
19	D22A1-10005	Bearing	2	
20	D30A1-11002	Clip	1	
21	GB/T 97.1	10 Washer	9	
22	GB/T5783	M10×16 Bolt	10	
23	D30A1-11008	Clip	9	
24	D30DK1-10100	Frame	1	
25	GB/T 97.1	6 Washer	10	
26	GB/T 93	6 Washer,lock	10	
27	GB/T5783	M6×16 Bolt	2	
28	GB/T6170	M6 Nut	5	
29	D30DA1-10800	Pipe trap diagram	1	
30	D22A1-10004	Plate	4	

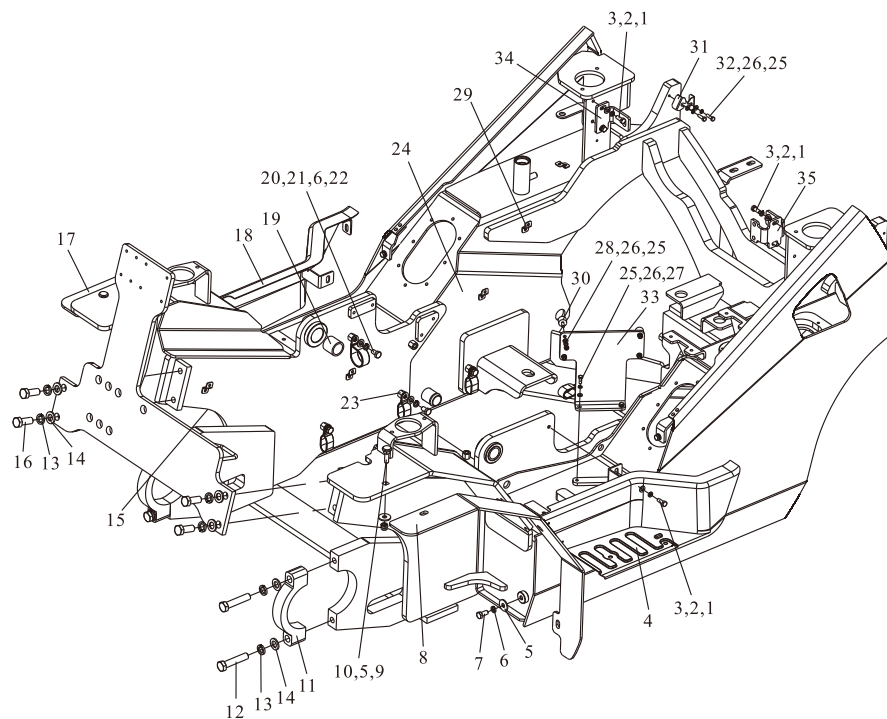
FD30G-KL1



Frame system

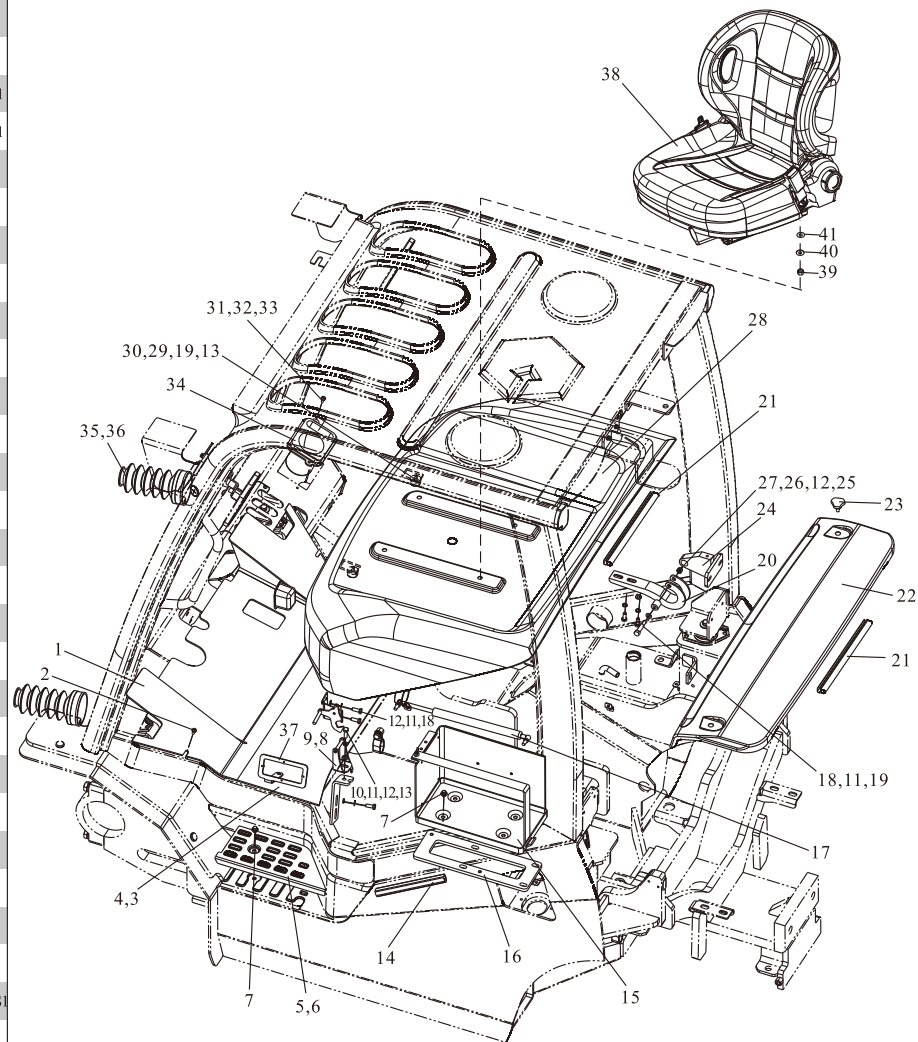
Item	Part No	Description	Q'ty	Remark
31	D30PI1-10002	Plate	4	
32	GB/T5783	M6×20 Bolt	4	
33	D30DI1-10001	ECU Plate	1	
34	D30DN1-10002	support. R	1	
35	D30DB1-10001	support. L	1	

FD30G-KL1



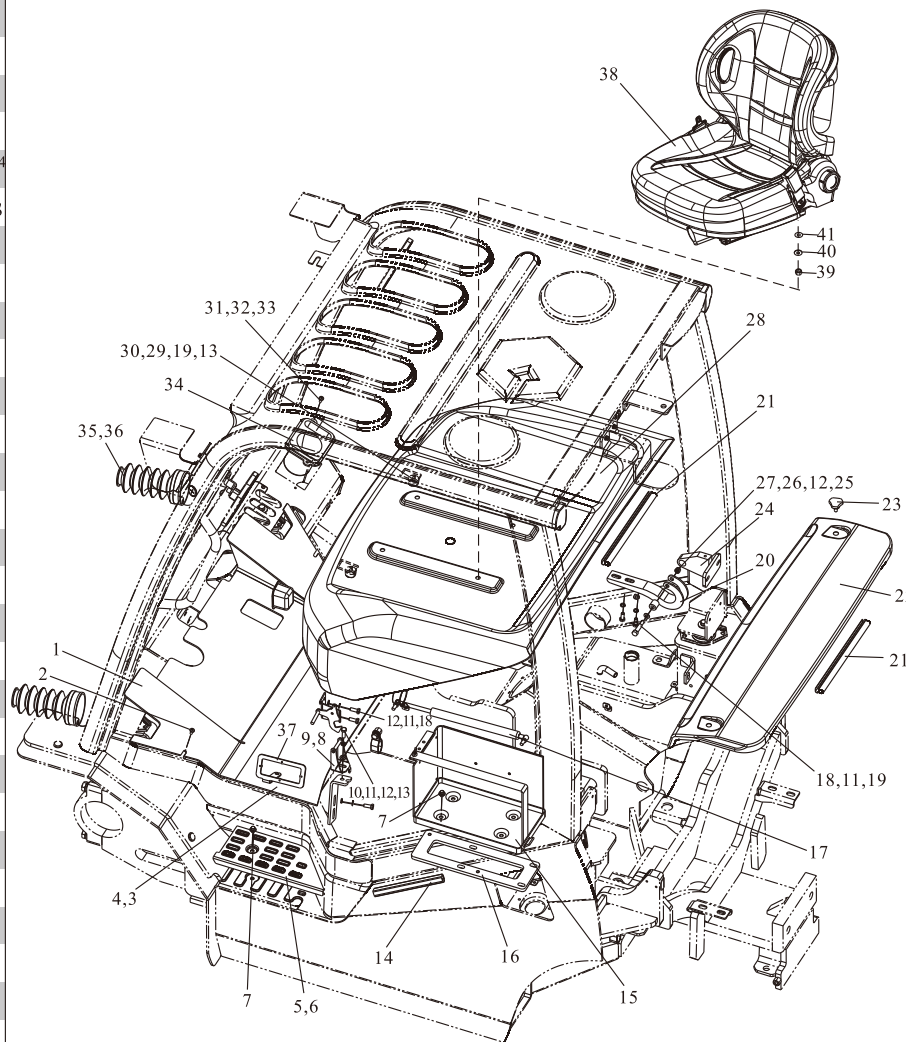
Hood, Floor Board & Seat

Item	Part No	Description	Q'ty	Remark
1	D30DA1-20300	Floor board	1	
-	D30DA1-20600	Floor board	1	
-	D30DD1-20100	Floor board	1	FY30/35SFD30G-S14/KL1
-	D30DD1-20200	Floor board	1	FY30/35SFD30G-S14/KL1
-	D30DI1-20100	Floor board	1	FD30G-H3
-	D30DI1-20200	Floor board	1	FD30G-H3
-	D30DJ1-20100	Floor board	1	FD30G-D2
-	D30DJ1-20200	Floor board	1	FD30G-D2
2	D30A1-20003	M8×16 Screw	2	
3	D30DA1-20400	Floor board	1	
4	D30DA1-20010	Mat-floor	1	
5	D30DA1-20001	Pedal(L.H)	1	
6	D30DA1-20002	Pedal(R.H)	1	
7	GB/T 16674.1	M8×8 Bolt	8	
8	D30A1-20710	Hook	1	
9	D30DA1-20004	Frame	1	
10	GB/T5783	M8×25 Bolt	1	
11	GB/T93	8 Washer,lock	11	
12	GB/T97.1	8 Washer	6	
13	GB/T6170	M8 Nut	5	
14	D30DA1-20003	3M Gasket	1	
15	D30DA1-20500	Box	1	
-	D30C1-20500	Box	1	FD30/35S-S14
-	D30DE1-20100	Box	1	FY30/35S
-	D30BN1-20100	Box	1	FD30G-KL1/DS1
16	D30DA1-20005	Battery box plate	1	
-	D30DD1-20001	Battery box plate	1	FD30/35S/30G-S14/KL1/DS1
-	D30DE1-20001	Battery box plate	1	FY30/35S
-	D30DI1-20001	Battery box plate	1	FD30G-H3
17	D30DA1-20030	Shock absorber	1	



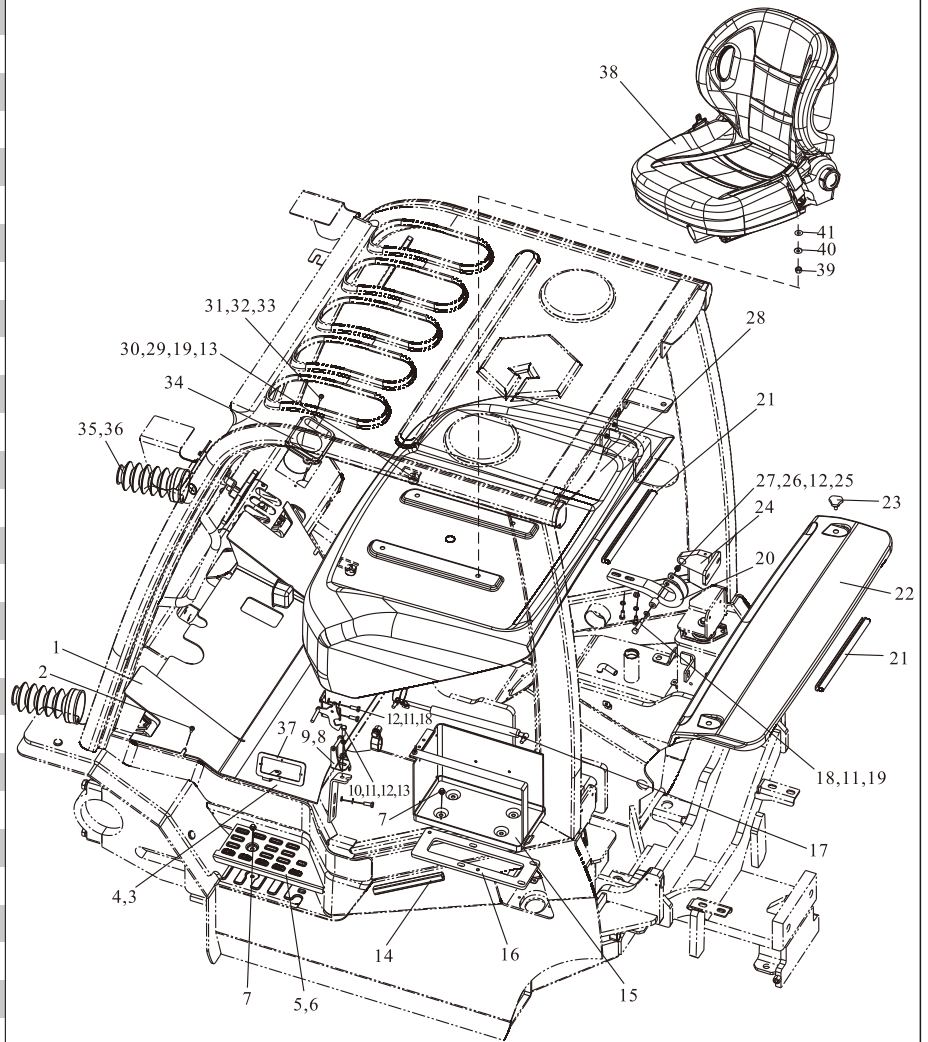
Hood, Floor Board & Seat

Item	Part No	Description	Q'ty	Remark
18	GB/T5783	M8×20 Bolt	10	
19	GB/T96	8 Washer	10	
20	D30DA1-20040	Hinge	2	
21	D30A1-20007	1 Gasket	2	
22	D30DA1-20200	Radiator cover	2	FD20-35-Y1/Y2/Y3/S2/S5/S14 FD30G-H3/KL1/D2
-	D30DC1-20100	Radiator cover	2	FY20-35-R1/R2,FY30/35S
-	D30DL1-20100	Radiator cover	2	FD30G-DS1
23	D30A1-20009	Screw	2	
24	D30DA1-20050	Bracket	1	
25	GB/T889.1	M8 Nut	2	
26	D30A1-20005	Bushing	2	
27	D30A1-20004	Bolt	2	
28	D30DA1-20100	Bonnet ass'y	2	
29	GB/T5783	M8×40 Bolt	2	
30	D30A1-20011	Packing	1	
31	D30C1-20009	M6×16 Screw	1	
32	GB/T93	6 Washer,lock	1	
33	GB/T97.1	6 Bolt	2	
34	D30PI1-20003	Tool box	2	
35	D30C1-20014	Tilting cylinder cover	2	2-3t
-	D30C1-20015	Tilting cylinder cover	2	3.5t
36	JB/T8870	Clip	2	2-3t
-	JB/T8870	Clip	2	3.5t-4t
37	D30DK1-20001	Bracket	1	FD30G-KL1
38	A30A1-00100	BF2 Seat	1	
-	A30A1-00500	BF2 Seat	1	
-	A30A1-00400	Seat	1	
-	A30A1-00300	BF2 Seat	1	OPS
-	A30A1-00600	BF2 Seat	1	OPS
-	A30A1-00800	BF5 Seat	1	OPS



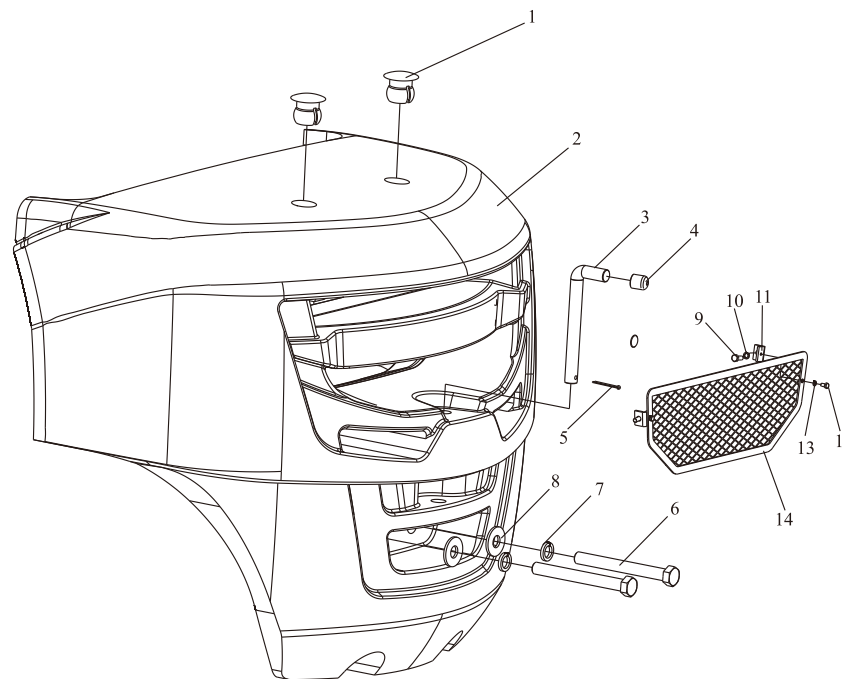
Hood, Floor Board & Seat

Item	Part No	Description	Q'ty	Remark
-	A30A1-01000	BF5 Seat	1	OPS
-	A30A1-00700	BF5 Seat	1	CE
-	A30A1-00900	BF5 Seat	1	CE
39	GB/T6170	M8 Nut	4	
40	GB/T93		4	
41	GB/T97.1		4	



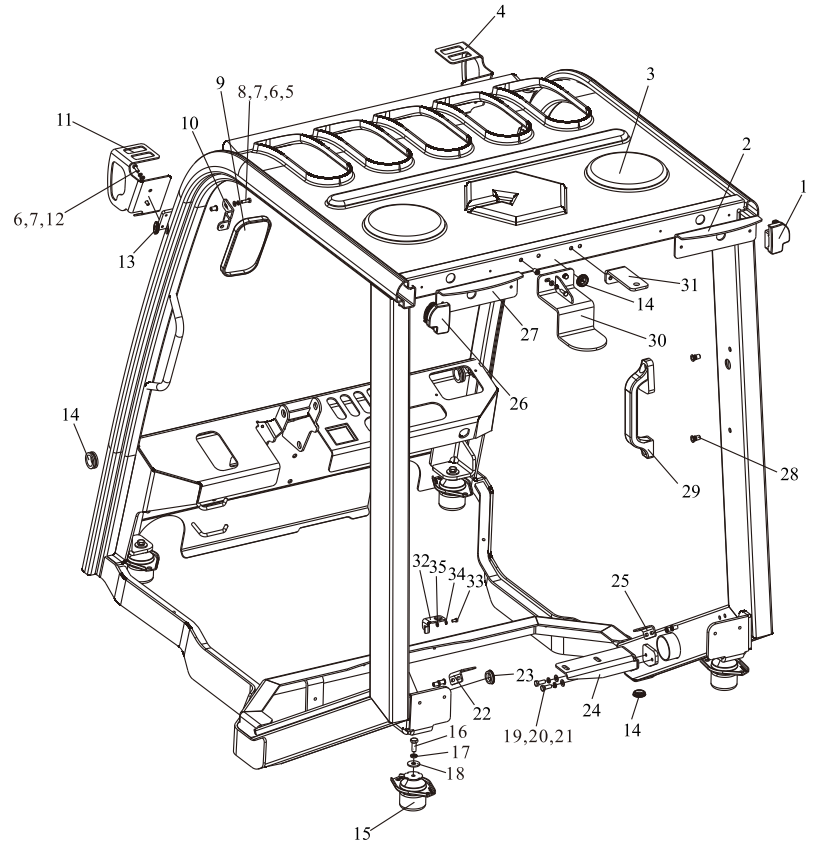
Balance weight installation

Item	Part No	Description	Q'ty	Remark
1	D30A1-50002	Cover cap	2	
2	D30DA1-50001	Balance	1	
-	D35DA1-50001	Balance	1	
3	D30DA1-50002	Pin	1	
4	D30DA1-50003	Rubber sheath	2	
5	QC/T 623	25×4 Lock pin	2	
6	GB/T 5782	M24×220 Bolt	2	
-	GB/T 5782	M24×260 Bolt	2	
7	GB/T93	24 Washer,lock	2	
8	D15G1-50009	Washer	2	
9	GB/T 5783	M8×20 Bolt	2	
10	GB/T93	8 Washer,lock	2	
11	D30A1-50003	Bracket	2	
12	GB/T 5783	M6×10 Bolt	2	
13	GB/T93	6 Washer,lock	2	
14	D30DA1-50100	Balance net	1	



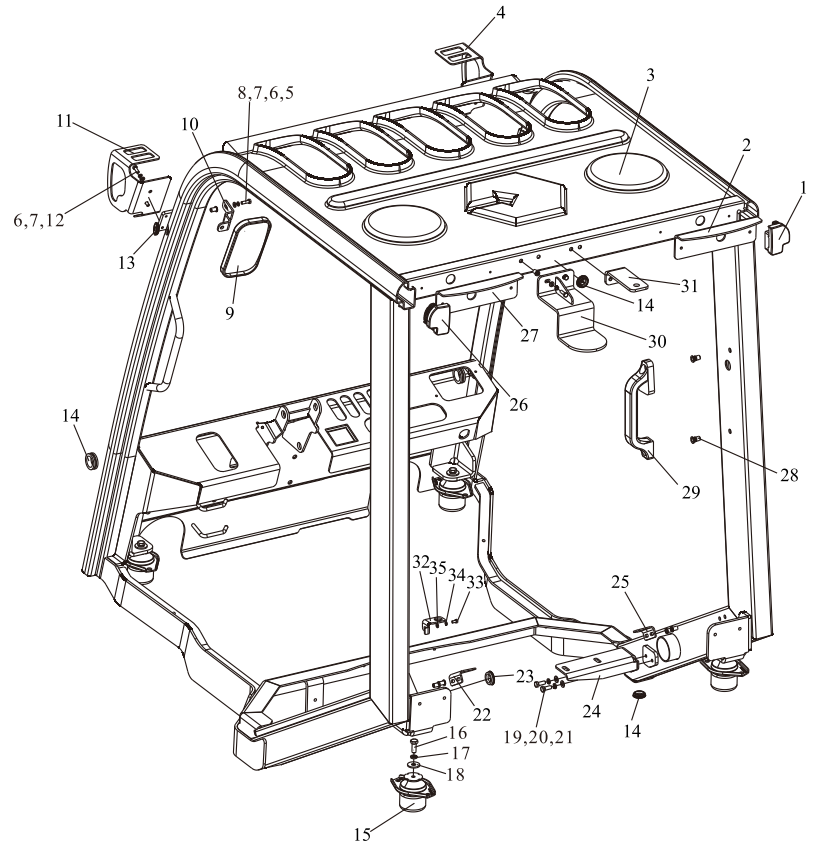
Head guard

Item	Part No	Description	Q'ty	Remark
1	D30D1-30004R	Back cover(R)	1	
2	D30D1-31002R	Protective plate(R)	1	
3	D30DA1-30100	Overhead guard	1	FD20~35-Y1/Y2/Y3
-	D30DC1-30100	Overhead guard	1	FY20~35-R1/R2 FD20~35-S2/S5
4	D30DA1-30003R	LED Guard(R)	1	
5	D30C1-30001	M6 Nut	8	
6	GB/T 97.1	6 Washer	8	
7	GB/T 93	6 Washer,lock	8	
8	GB/T 5783	M6×20 Bolt	4	
9	D30A1-30800	Back-mirror	2	
10	D30A1-30002	Guard	2	
11	D30DA1-30003L	LED Guard(L)	1	
12	GB/T 5783	M6×16 Bolt	4	
13	D15G1-30001	Grommet	4	
14	D30A1-30005	II Grommet	2	
15	A30EG5-10300	Rubber	4	
16	GB/T 5783	M10×25 Bolt	4	
17	GB/T 93	10 Washer,lock	4	
18	GB/T 96	10 Washer	4	
19	GB/T 97.1	8 Washer	2	
20	GB/T 93	8 Washer,lock	2	
21	GB/T 5783	M8×20 Bolt	2	
22	D30DA1-30002L	Baffle plate(L)	1	
23	D30A1-20001	Overlay	1	
24	D30DA1-30001	Bracket	1	FD20~35-Y1/Y2/Y3
-	D30DC1-30001	Bracket	1	FY20~35-R1/R2 FD20~35-S2/S5
25	D30DA1-30002R	Baffle plate(R)	1	
26	D30D1-30004L	Back cover(L)	1	
27	D30D1-31002L	Protective plate(L)	1	
28	D35G1-30001	M8 Nut	2	



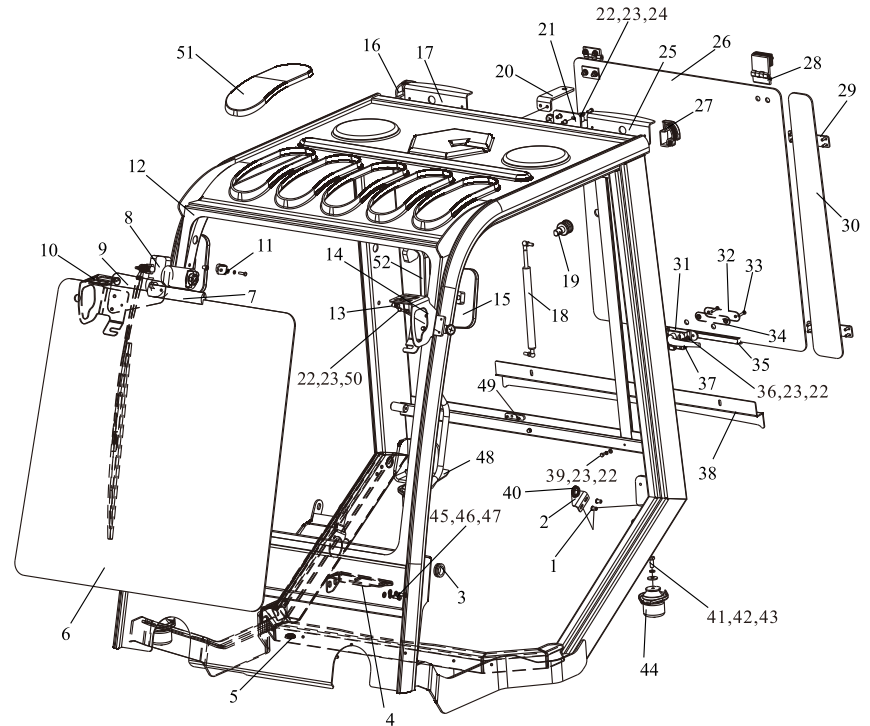
Head guard

Item	Part No	Description	Q'ty	Remark
29	D30C1-30500	Handle	1	
30	D30D1-31020	Bracket	1	
31	D30D1-32001	Bracket	1	
32	D30EY1-30101	Bracket plate	1	FY20~35-R1/R2 FD20~35-S2/S5
33	GB/T 5783	M6×20 Bolt	1	FY20~35-R1/R2 FD20~35-S2/S5
34	GB/T 93	6 Washer,lock	1	FY20~35-R1/R2 FD20~35-S2/S5
35	GB/T 97.1	6 Washer	1	FY20~35-R1/R2 FD20~35-S2/S5



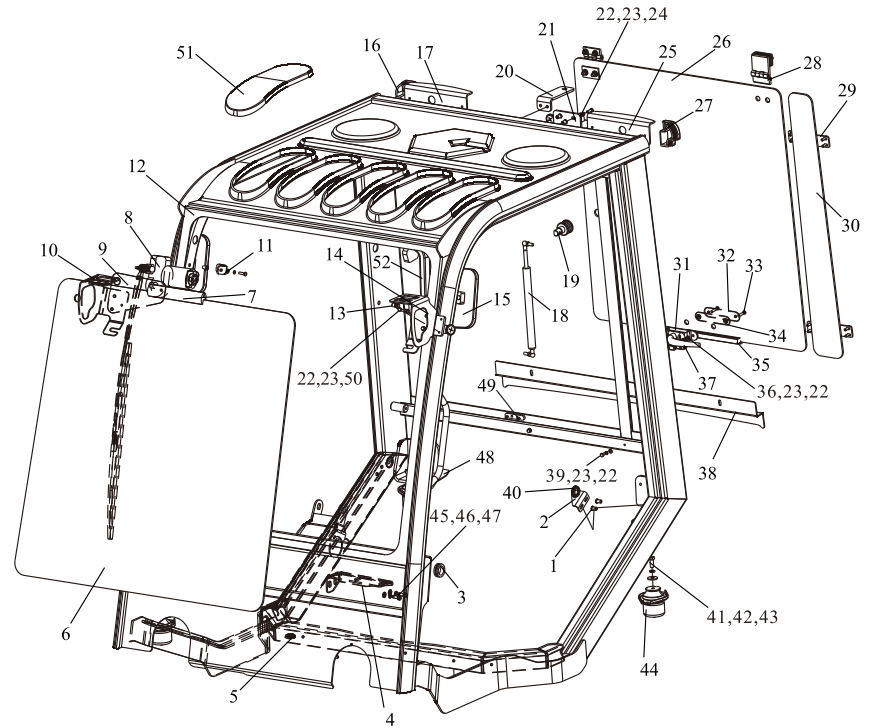
Head guard (option)

Item	Part No	Description	Q'ty	Remark
1	D30C1-30001	M6 Nut	8	
2	D30DA1-30002L	Baffle plate(L)	1	
3	D30A1-30005	II Grommet	2	
4	D30DA1-30001	Bracket	1	
5	D15G1-30001	Grommet	4	
6	D30DB1-30001	Front glass	1	
7	D30D1-40023	Three strip	1	
8	A30C2-30200	Wiper	1	
9	D30D1-40021	Baffle plate	1	
10	D30DA1-30003R	LED Guard(R)	1	
11	D30A1-30002	Bracket	2	
12	D30DB1-30100	Overhead guard	1	
-	D30DB1-30300	Overhead guard	2	
13	D35G1-30001	M8 Nut	1	
14	D30DA1-30003L	LED Guard(L)	2	
15	D30A1-30800	Back-mirror	1	
16	D30D1-30004R	Back cover(R)	1	
17	D30D1-31002R	Protective plate(R)	1	
18	D30DB1-30010	Shock,absorber	1	
19	D30D1-41250	Gas spring bearing ass'y	1	
20	D30D1-32001	Bolt	1	
21	D30D1-31020	Bracket	1	
22	GB/T 97.1	6 Washer	21	
23	GB/T 93	6 Washer,lock	21	
24	GB/T 5783	M6×20 Bolt	12	
25	D30D1-31002L	Protective plate(L)	1	
26	D30DB1-30003	Backstop glass	1	
27	D30D1-30004L	Back cover(L)	1	
28	D30D1-41240	Hinge hardware ass'y	2	
29	D30D1-41262	1 Plate	4	



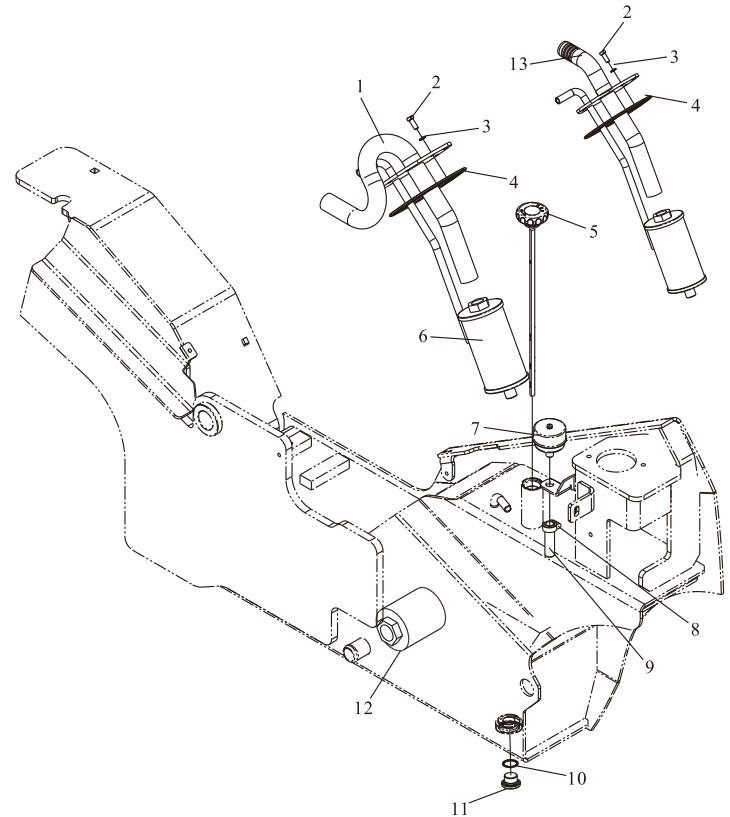
Head guard (option)

Item	Part No	Description	Q'ty	Remark
30	D30DB1-30002	Glass	1	
31	D30D1-41211	Handle fixed seat	1	
32	D30D1-41210	Handle fixed plate	1	
33	GB/T 70.2	M6×40 Screw	2	
34	D30D1-41209	Rubber mat	2	
35	D30D1-40019	Sealing strip	1	
36	GB/T 6170	M6 Nut	2	
37	D30D1-41230	Handle	1	
38	D30DB1-30004	Baffle plate	1	
39	GB/T 5783	M6X10 Guard	3	
40	D30A1-20001	Cover	2	
41	GB/T 5783	M10×25 Bolt	4	
42	GB/T 93	10 Washer,lock	4	
43	GB/T96	10 Washer	4	
44	A30EG5-10300	Engine cushioning	4	
45	GB/T 5783	M8×20 Bolt	2	
46	GB/T 93	8 Washer,lock	2	
47	GB/T 97.1	8 Washer	2	
48	D30DA1-30002R	Baffle plate(R)	2	
49	GB/T 70.1	M4×16 Screw	2	
50	GB/T 5783	M6×16 Bolt	4	
51	D30C1-30002	Cover	5	
52	D30C1-30500	Handle	1	



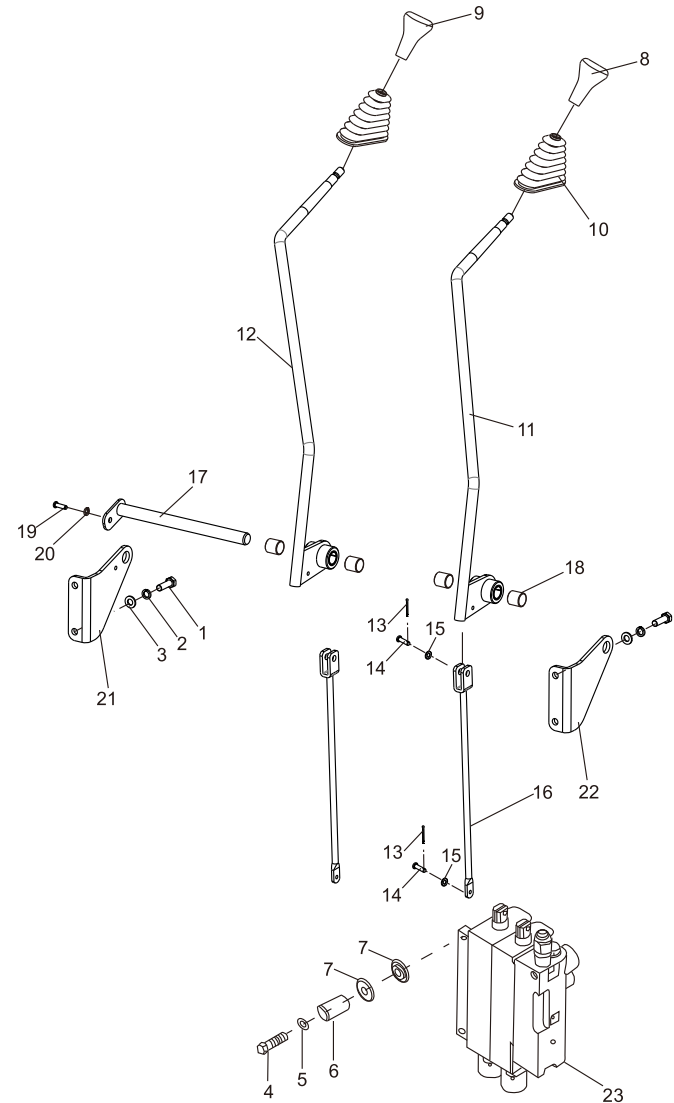
oil tank

Item	Part No	Description	Q'ty	Remark
1	A30DA4-50100	Coverplate ass'y	1	
2	GB/T 5783	M8×20 Bolt	8	
3	JB/T 982	8 Cushion	8	
4	A30DA5-30002	Oil tank cover plate	1	
5	A30DA4-50200	Oiling cap ass'y	1	
6	A30A4-50300	Strainer	1	
7	A30A4-50500	Breather	1	
8	JB/T 8870	25×16 Clip	2	
9	TG000-10010	φ 10×300 Oil resistance hose	1	
10	A30A4-50004	26 Sealing ring	1	
11	A30A4-50002	Plug, drain	1	
12	A30DA4-50300	Strainer	1	
13	A30DI4-50100	Coverplate ass'y	1	FD30G-H3



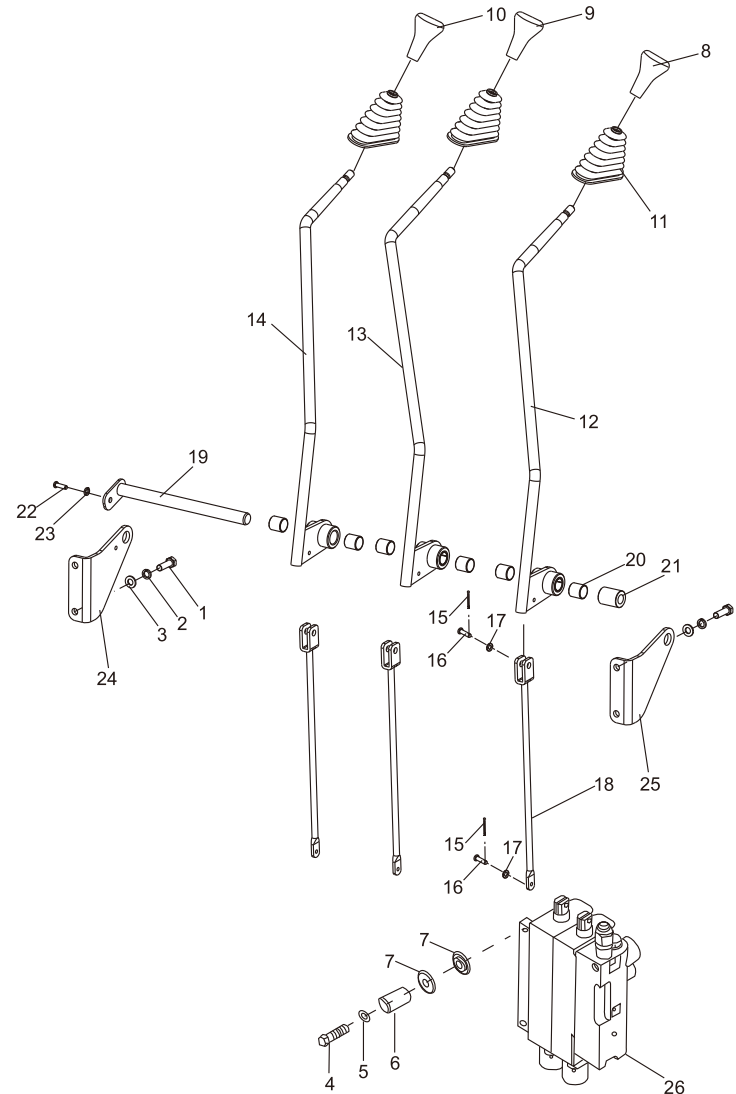
Valve control(two-throw)

Item	Part No	Description	Q'ty	Remark
1	GB/T5783	M8×25 Bolt	4	
2	GB/T93	8 Washer ,lock	4	
3	GB/T97.1	8 Washer	4	
4	GB/T5786	M10×1.25×35 Bolt	3	
5	A30A5-20003	Plate	3	
6	A30A7-40001	Coller	3	
7	A30A7-40002	Rubber	6	
8	A30A7-40003	Knob, lift	1	
9	A30A7-40004	Knob, tilt	1	
10	A15H7-40001	Dust Cover	2	
11	A30DA7-40110	Level, lift	1	
12	A30DA7-40120	Level, tilt	1	
13	GB/T91	φ 1.6×20 Pin, cotter	4	
14	A30C7-40001	Pin	4	
15	GB/T97.1	6 Washer	4	
16	A30DA7-40003	Joint	2	
17	A30C7-40110	Shaft, valve	1	
18	A30C7-40004	Bearing	4	
19	GB/T5783	M6×10 Bolt	1	
20	GB/T93	6 Washer ,lock	1	
21	A30DA7-40001	I Bracket, valve lever	1	
22	A30DA7-40002	II Bracket, valve lever	1	
23	A30A4-30000*2	Control ass'y	1	
-	A30DA4-30000*2	Control ass'y	1	



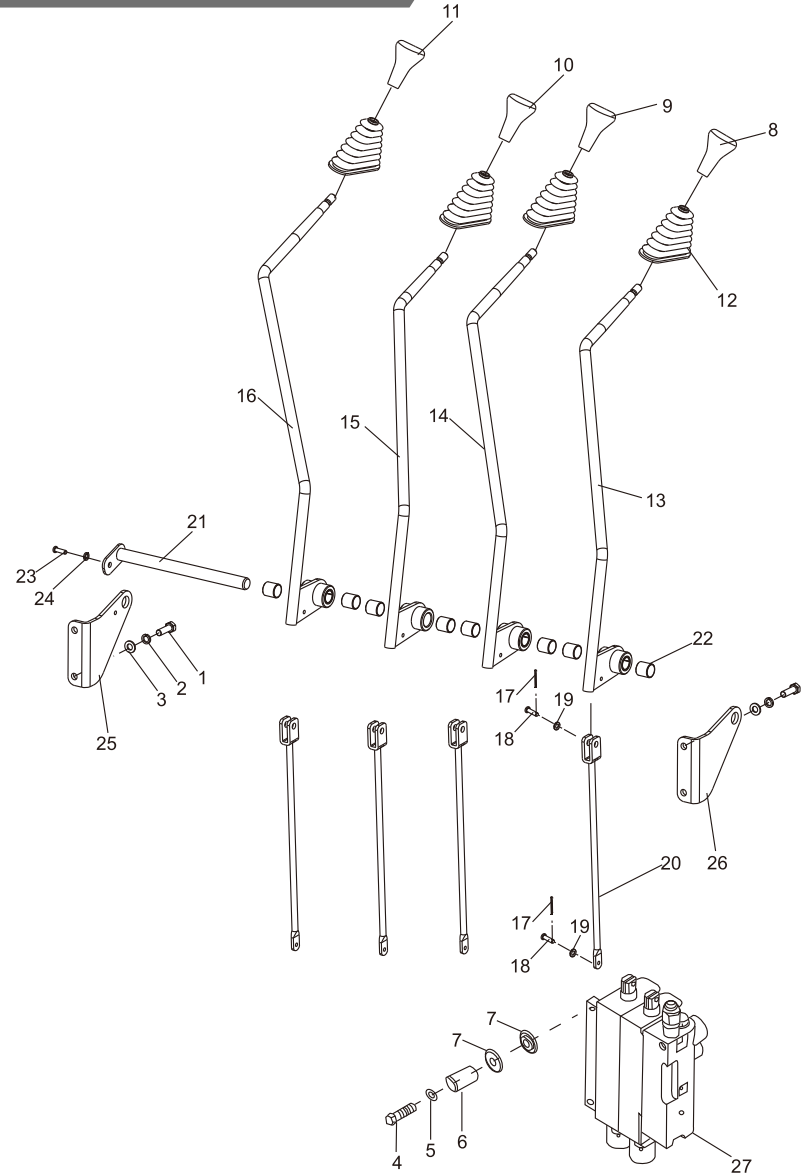
Valve control(three-throw)

Item	Part No	Description	Q'ty	Remark
1	GB/T5783	M8×25 Bolt	4	
2	GB/T93	8 Washer ,lock	4	
3	GB/T97.1	8 Washer	4	
4	GB/T5786	M10×1.25×35 Bolt	3	
5	A30A5-20003	Plate	3	
6	A30A7-40001	Coller	3	
7	A30A7-40002	Rubber	6	
8	A30A7-40003	Knob, lift	1	
9	A30A7-40004	Knob, tilt	1	
10	A30A7-40005	Knob, sidesway	1	
11	A15H7-40001	Dust Cover	3	
12	A30DA7-40110	Level, lift	1	
13	A30DA7-40120	Level, tilt	1	
14	A30DA7-40130	Lever, third	1	
15	GB/T91	φ 1.6×20 Pin, cotter	6	
16	A30C7-40001	Pin	6	
17	GB/T97.1	6 Washer	6	
18	A30DA7-40003	Joint	3	
19	A30C7-40120	Shaft, valve	1	
20	A30C7-40004	Bearing	6	
21	A30C7-40003	Coller	1	
22	GB/T5783	M6×10 Bolt	1	
23	GB/T93	6 Washer ,lock	1	
24	A30DA7-40001	I Bracket, valve lever	1	
25	A30DA7-40002	II Bracket, valve lever	1	
26	A30A4-30000*2	Control ass'y	1	
-	A30DA4-30000*2	Control ass'y	1	



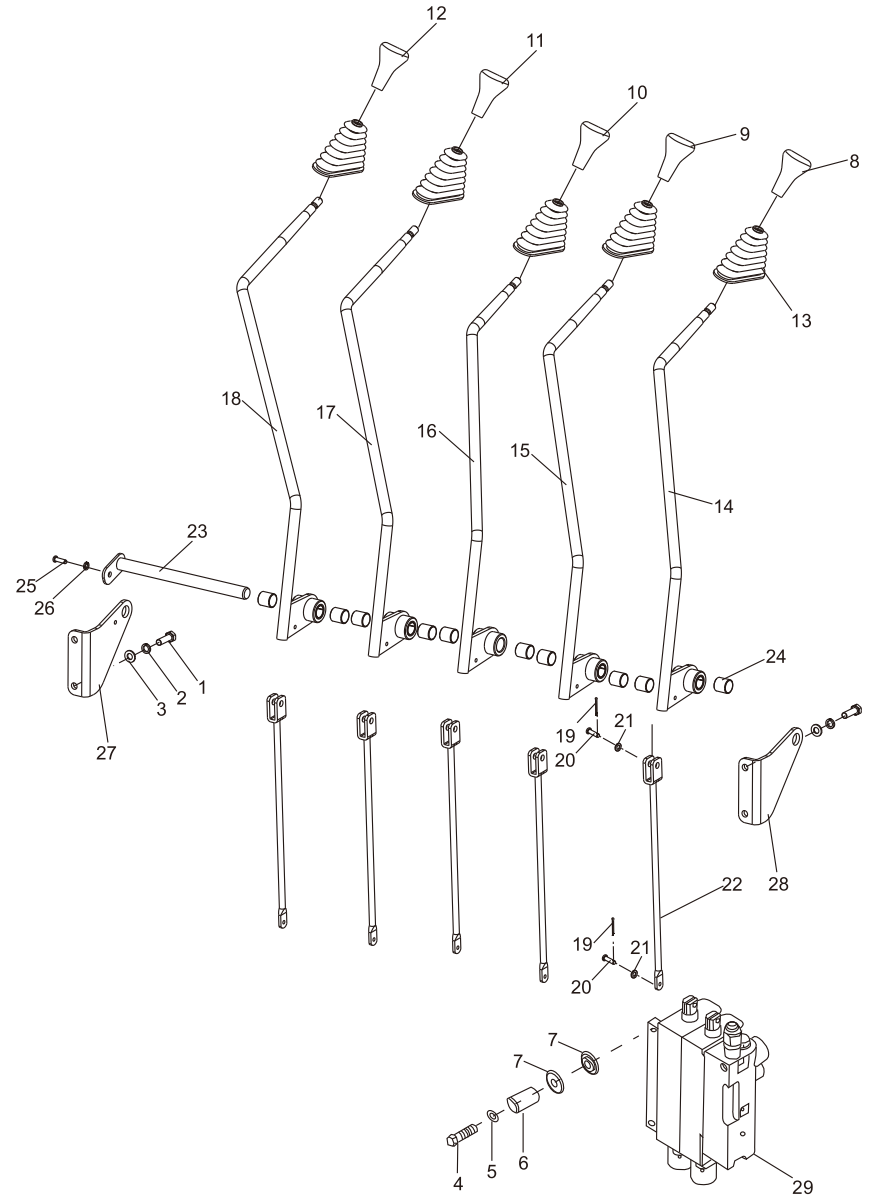
Valve control(four-throw)

Item	Part No	Description	Q'ty	Remark
1	GB/T5783	M8×25 Bolt	4	
2	GB/T93	8 Washer ,lock	4	
3	GB/T97.1	8 Washer	4	
4	GB/T5786	M10×1.25×35 Bolt	3	
5	A30A5-20003	Plate	3	
6	A30A7-40001	Coller	3	
7	A30A7-40002	Rubber	6	
8	A30A7-40003	Knob, lift	1	
9	A30A7-40004	Knob, tilt	1	
10	A30A7-40005	Knob, sidesway	1	
11	A30A7-40006	Knob, clamp	1	
12	A15H7-40001	Dust Cover	4	
13	A30DA7-40110	Level, lift	1	
14	A30DA7-40120	Level, tilt	1	
15	A30DA7-40130	Lever, third	1	
16	A30DA7-40140	Lever, fourth	1	
17	GB/T91	φ 1.6×20 Pin, cotter	8	
18	A30C7-40001	Pin	8	
19	GB/T97.1	6 Washer	8	
20	A30DA7-40003	Joint	4	
21	A30C7-40120	Shaft, valve	1	
22	A30C7-40004	Bearing	8	
23	GB/T5783	M6×10 Bolt	1	
24	GB/T93	6 Washer ,lock	1	
25	A30DA7-40001	I Bracket, valve lever	1	
26	A30DA7-40002	II Bracket, valve lever	1	
27	A30A4-30000*2	Control ass'y	1	
-	A30DA4-30000*2	Control ass'y	1	



Valve control(five-throw)

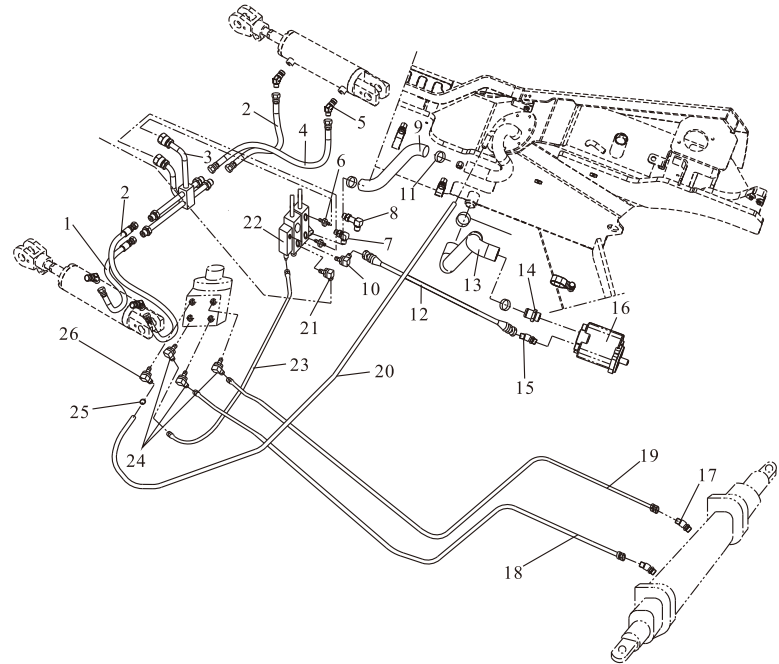
Item	Part No	Description	Q'ty	Remark
1	GB/T5783	M8×25 Bolt	4	
2	GB/T93	8 Washer ,lock	4	
3	GB/T97.1	8 Washer	4	
4	GB/T5786	M10×1.25×35 Bolt	3	
5	A30A5-20003	Plate	3	
6	A30A7-40001	Coller	3	
7	A30A7-40002	Rubber	6	
8	A30A7-40003	Knob, lift	1	
9	A30A7-40004	Knob, tilt	1	
10	A30A7-40005	Knob, sidesway	1	
11	A30A7-40006	Knob, clamp	1	
12	A30A7-40007	Knob, rotate	1	
13	A15H7-40001	Dust Cover	5	
14	A30DA7-40110	Level, lift	1	
15	A30DA7-40120	Level, tilt	1	
16	A30DA7-40130	Lever, third	1	
17	A30DA7-40140	Lever, fourth	1	
18	A30DA7-40150	Lever, fifth	1	
19	GB/T91	φ 1.6×20 Pin, cotter	10	
20	A30C7-40001	Pin	10	
21	GB/T97.1	6 Washer	10	
22	A30DA7-40003	Joint	5	
23	A30C7-40130	Shaft, valve	1	
24	A30C7-40004	Bearing	10	
25	GB/T5783	M6×10 Bolt	1	
26	GB/T93	6 Washer ,lock	1	
27	A30DA7-40001	I Bracket, valve lever	1	
28	A30DA7-40002	II Bracket, valve lever	1	
29	A30A4-30000*2	Control ass'y	1	
-	A30DA4-30000*2	Control ass'y	1	



Hydraulic system

Item	Part No	Description	Q'ty	Remark
1	TGIBII-08050*J	8II×500 Hose H.P	1	
2	TGIBII-08040*J	8II×400 Hose H.P	2	
3	A30DA4-00100	Steel pipe ass'y	1	
4	TGIBII-08030*J	8II×300 Hose H.P	1	
5	GJT-681-00	Connector	4	
6	GJT-18-00	Nipple	2	
7	GJT-11-00	Elbow	0	
-	GJT-11-00	Elbow	1	
-	GJT-11-00	Elbow	2	
-	GJT-11-00	Elbow	3	
8	GJT-12-00	Elbow	0	
-	GJT-12-00	Elbow	1	
-	GJT-12-00	Elbow	2	
-	GJT-12-00	Elbow	3	
9	A30DA4-00001	Hose	1	
10	GJT-20-00	Elbow	1	
11	JB/T 8870	50×32 Clip	4	
12	TGIBII-13122*G	13II×1220 Hose H. P	1	
13	A30DA4-00002	Hose	1	
-	A30DB4-00001	Hose	1	FD30/35S-X24
-	A30DJ4-00001	Hose	1	FD30G-H3
14	GJT-08-00	Nipple	1	
15	GJT-09-00	Elbow	1	
16	A30D4-20000	Gearpump	1	FD20~35-Y1/Y2/Y3
-	A30E4-20000	Gearpump	1	FY20~35-R1/R2,FD30G-H3 D2
-	A30A4-20000	Gearpump	1	FD30/35S-X24
17	GJT-17-00	Joint	2	
-	GJT-10-00	Through joint	2	
18	TGIBI-08240*G	8I×2400 Hose H. P	1	
-	TGUBI-08250-H2500h50*G	8I×2500 Hose H. P	1	

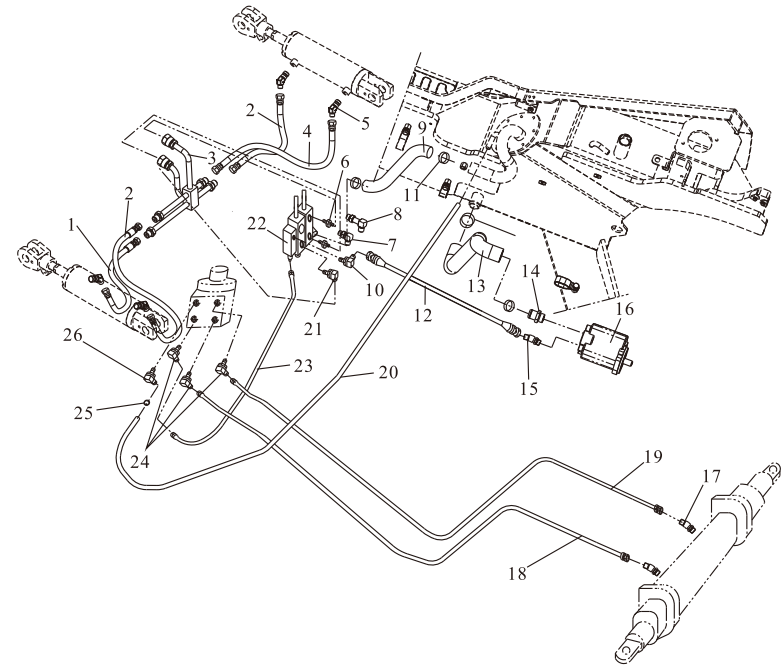
FD20~35-Y1/Y2/Y3
FY20~35-R1/R2
FD30/35S-X24
FD30G-H3



hydraulic system

Item	Part No	Description	Q'ty	Remark
19	TGIBI-08250*G	8I×2500 Hose H. P.	1	
-	TGUBI-08260-H2600h50*G	8I×2600 Hose H. P.	1	
20	TG000-13150	φ 13×1500 Hose L.P.	1	
21	GJT-19-00	Elbow	1	
22	A30A4-30000	Control ass'y	1	
-	A30DA4-30000	Control ass'y	1	
23	TGLBI-08080-H35*G	8I×800 Hose H.P.	1	
24	GJT-682-00	Connector	3	
25	JB/T 8870	25×16 Clip	2	
26	GJT-683-00	Connector	1	

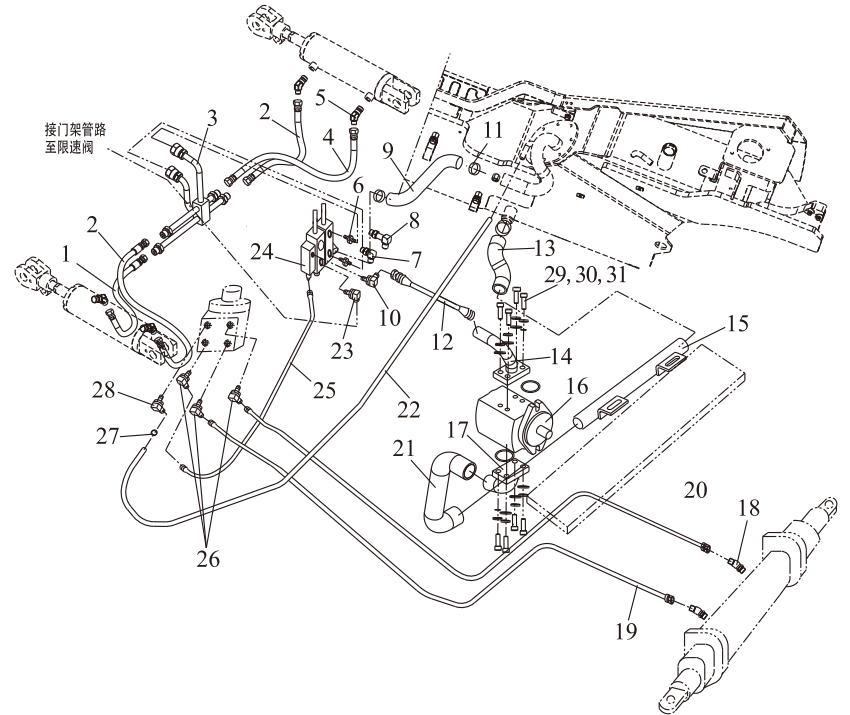
FD20~35-Y1/Y2/Y3
 FY20~35-R1/R2
 FD30/35S-X24
 FD30G-H3



Hydraulic system

Item	Part No	Description	Q'ty	Remark
1	TGIBII-08050*J	8II×500 Hose H.P	1	EX-B
-	TGICII-08050*J	8II×500 Hose H.P	1	EX-A
2	TGIBII-08040*J	8II×400 Hose H.P	2	EX-B
-	TGICII-08040*J	8II×400 Hose H.P	2	EX-A
3	A30DA4-00100	Steel pipe ass'y	1	EX-B
-	A30DD4-00100	Steel pipe ass'y	1	EX-A
4	TGIBII-08030*J	8II×300 Hose H.P	1	EX-B
-	TGICII-08030*J	8II×300 Hose H.P	1	EX-A
5	GJT-681-00	Connector	4	EX-B
-	GJT-758-00	Connector	4	EX-A
6	GJT-18-00	Nipple	2	
7	GJT-11-00	Elbow	0	EX-B
-	GJT-11-00	Elbow	1	EX-B
-	GJT-11-00	Elbow	2	EX-B
-	GJT-11-00	Elbow	3	EX-B
-	GJT-706-00	Elbow	0	EX-A
-	GJT-706-00	Elbow	1	EX-A
-	GJT-706-00	Elbow	2	EX-A
-	GJT-706-00	Elbow	3	EX-A
8	GJT-12-00	Elbow	0	EX-B
-	GJT-12-00	Elbow	1	EX-B
-	GJT-12-00	Elbow	2	EX-B
-	GJT-12-00	Elbow	3	EX-B
-	GJT-707-00	Elbow	0	EX-A
-	GJT-707-00	Elbow	1	EX-A
-	GJT-707-00	Elbow	2	EX-A
-	GJT-707-00	Elbow	3	EX-A
9	A30DA4-00001	Hose	1	
10	GJT-20-00	Elbow	1	
-	GJT-230-00	Elbow	1	

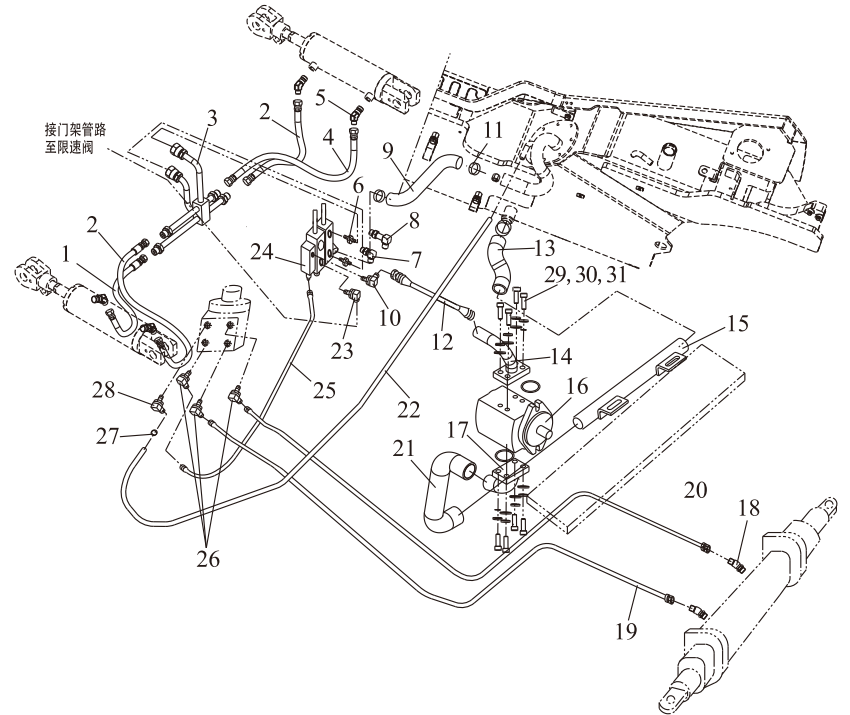
FD30/35S-S14



Hydraulic system

Item	Part No	Description	Q'ty	Remark
11	JB/T 8870	50×32 Clip	4	
12	TGIBII-1347*G	13II×1470 Hose H. P	1	EX-B
-	TGICII-13147*G	13II×1470 Hose H. P	1	EX-A
13	A30DD4-00001	I Hose	1	
14	GJT-178-00	Elbow	1	EX-B
-	GJT-719-00	Elbow	1	EX-A
15	A30BA4-00100	Steel pipe ass'y	1	
16	A30BA4-20000	Gearpump	1	
17	GJT-221-00	Elbow	1	
18	GJT-17-00	Joint	2	EX-B
-	GJT-10-00	Through joint	2	EX-B
-	GJT-705-00	Connector	2	EX-A
-	GJT-708-00	Nipple	2	EX-A
19	TGIBI-08240*G	8I×2400 Hose H. P	1	EX-B
-	TGUBI-08250-H2500h50*G	8I×2500 Hose H. P	1	EX-B
-	TGICI-08240*G	8I×2400 Hose H. P	1	EX-A
-	TGUCI-08250-H2500h50*G	8I×2500 Hose H. P	1	EX-A
20	TGIBI-08250*G	8I×2500 Hose H. P.	1	EX-B
-	TGUBI-08260-H2600h50*G	8I×2500 Hose H. P	1	EX-B
-	TGICI-08250*G	8I×2500 Hose H. P.	1	EX-A
-	TGUBI-08260-H2600h50*G	8I×2500 Hose H. P	1	EX-A
21	A30DD4-00002	II Hose	1	
22	TG000-13150	φ13×1500 Hose L.P	1	
23	GJT-19-00	Elbow	1	EX-B
-	GJT-232-00	Elbow	1	EX-A
24	A30A4-30000	Control ass'y	1	
-	A30DA4-30000	Control ass'y	1	
25	TGLBI-08080-H35*G	8I×800 Hose H.P	1	EX-B
-	TGLBCI-08080-H35*G	8I×800 Hose H.P	1	EX-A
26	GJT-682-00	Connector	3	EX-B

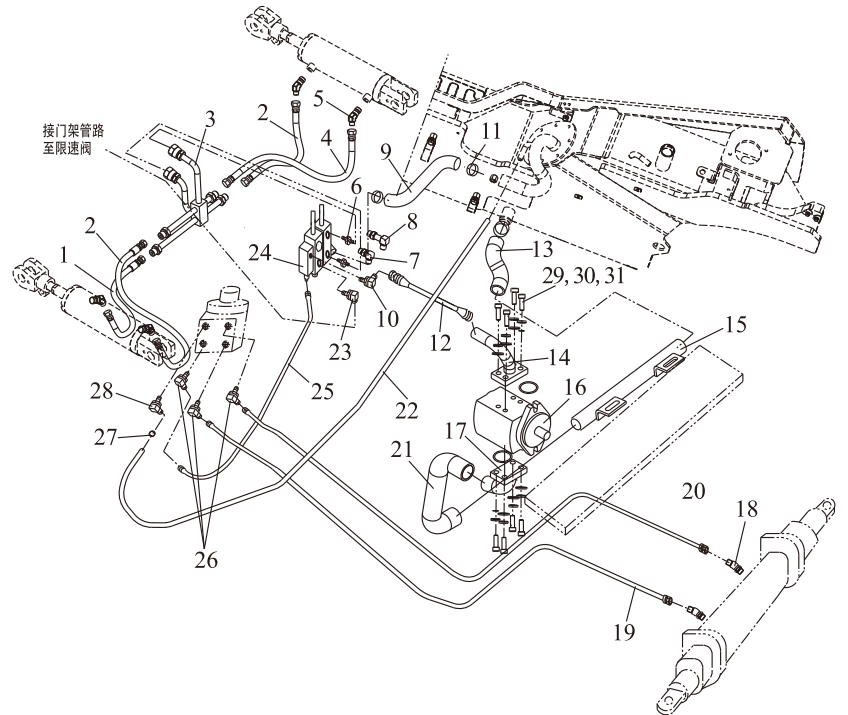
FD30/35S-S14



Hydraulic system

Item	Part No	Description	Q'ty	Remark
-	GJT-759-00	Connector	3	EX-A
27	JB/T 8870	25×16 Clip	2	
28	GJT-683-00	Connector	1	
29	GB/T70.1	M10×1.25×30 Screw	8	
30	GB/T93	10 Washer ,lock	8	
31	GB/T97.1	10 Washer	8	

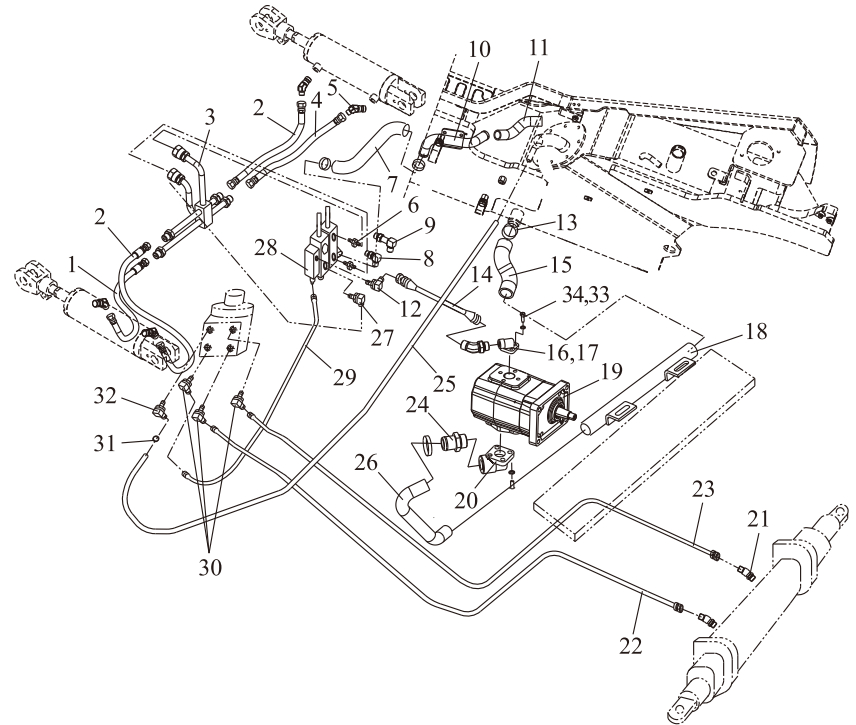
FD30/35S-S14



Hydraulic system

Item	Part No	Description	Q'ty	Remark
1	TGIBII-08050*J	8II×500 Hose H.P	1	EX-B
-	TGICII-08050*J	8II×500 Hose H.P	1	EX-A
2	TGIBII-08040*J	8II×400 Hose H.P	2	EX-B
-	TGICII-08040*J	8II×400 Hose H.P	2	EX-A
3	A30DA4-00100	Steel pipe ass'y	1	EX-B
-	A30DD4-00100	Steel pipe ass'y	1	EX-A
4	TGIBII-08030*J	8II×300 Hose H.P	1	EX-B
-	TGICII-08030*J	8II×300 Hose H.P	1	EX-A
5	GJT-681-00	Connector	4	EX-B
-	GJT-758-00	Connector	4	EX-A
6	GJT-18-00	Nipple	2	
7	A30DK4-00003	Hose	1	
8	GJT-11-00	Elbow	0	EX-B
-	GJT-11-00	Elbow	1	EX-B
-	GJT-11-00	Elbow	2	EX-B
-	GJT-11-00	Elbow	3	EX-B
-	GJT-706-00	Elbow	0	EX-A
-	GJT-706-00	Elbow	1	EX-A
-	GJT-706-00	Elbow	2	EX-A
-	GJT-706-00	Elbow	3	EX-A
9	GJT-12-00	Elbow	0	EX-B
-	GJT-12-00	Elbow	1	EX-B
-	GJT-12-00	Elbow	2	EX-B
-	GJT-12-00	Elbow	3	EX-B
-	GJT-707-00	Elbow	0	EX-A
-	GJT-707-00	Elbow	1	EX-A
-	GJT-707-00	Elbow	2	EX-A
-	GJT-707-00	Elbow	3	EX-A
10	A30DK4-00100	Steel pipe	1	
11	A30DK4-00002	I Hose	1	

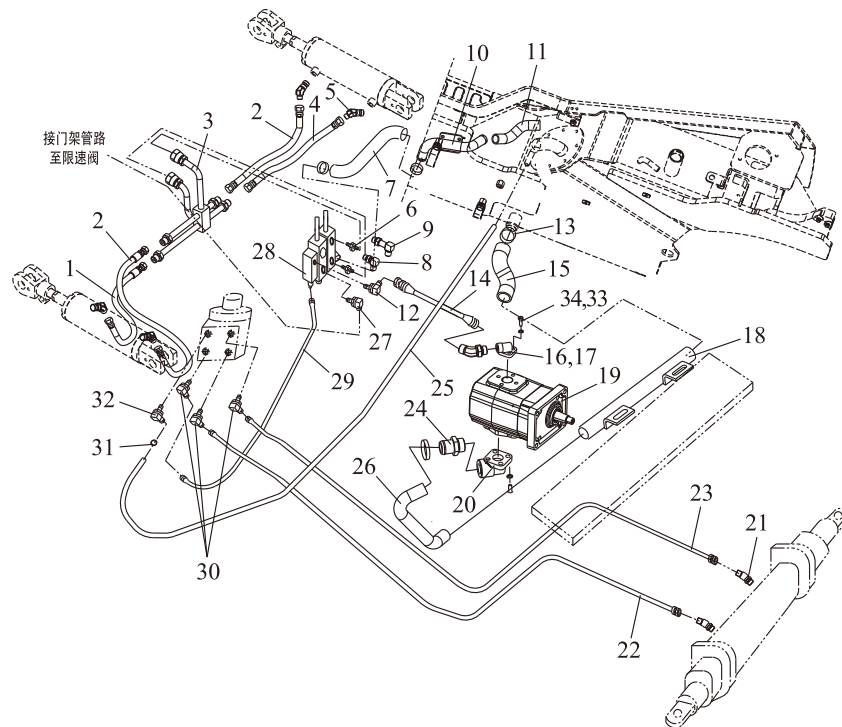
FD30G-KL1



Hydraulic system

Item	Part No	Description	Q'ty	Remark
12	GJT-20-00	Elbow	1	EX-B
-	GJT-230-00	Elbow	1	EX-A
13	JB/T 8870	50×32 Clip	4	
14	TGIBII-13147*G	13II×1470 Hose H. P	1	EX-B
-	TGICII-13147*G	13II×1470 Hose H. P	1	EX-A
15	A30DD4-00001	I Hose	1	
16	A30BN4-00004	Elbow	1	
17	GJT-09-00	Elbow	1	EX-B
-	GJT-322-00	Elbow	1	EX-A
18	A30BA4-00100	Steel pipe ass'y	1	
19	A30BN4-20000	Gearpump	1	
20	A30BN4-00003	Elbow	1	
21	GJT-17-00	Joint	2	EX-B
-	GJT-10-00	Through joint	2	EX-B
-	GJT-705-00	Connector	2	EX-A
-	GJT-708-00	Nipple	2	EX-A
22	TGIBI-08240*G	8I×2400 Hose H. P	1	EX-B
-	TGUBI-08250-H2500h50*G	8I×2500 Hose H. P	1	EX-B
-	TGICI-08240*G	8I×2400 Hose H. P	1	EX-A
-	TGUCI-08250-H2500h50*G	8I×2500 Hose H. P	1	EX-A
23	TGIBI-08250*G	8I×2500 Hose H. P	1	EX-B
-	TGUBI-08260-H2600h50*G	8I×2500 Hose H. P	1	EX-B
-	TGICI-08250*G	8I×2500 Hose H. P	1	EX-A
-	TGUBI-08260-H2600h50*G	8I×2500 Hose H. P	1	EX-A
24	GJT-08-00	Through joint	1	
25	TG000-13150	φ 13×1500 Hose L.P.	1	
26	A30DK4-00001	Hose	1	
27	GJT-19-00	Elbow	1	EX-B
-	GJT-232-00	Elbow	1	EX-A
28	A30A4-30000	Control ass'y	1	

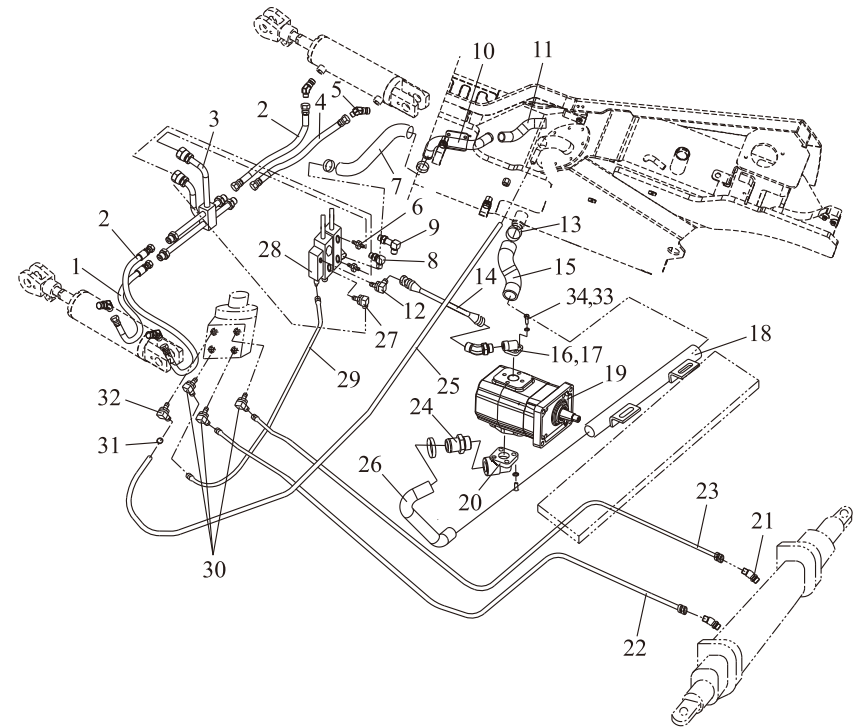
FD30G-KL1



Hydraulic system

FD30G-KL1

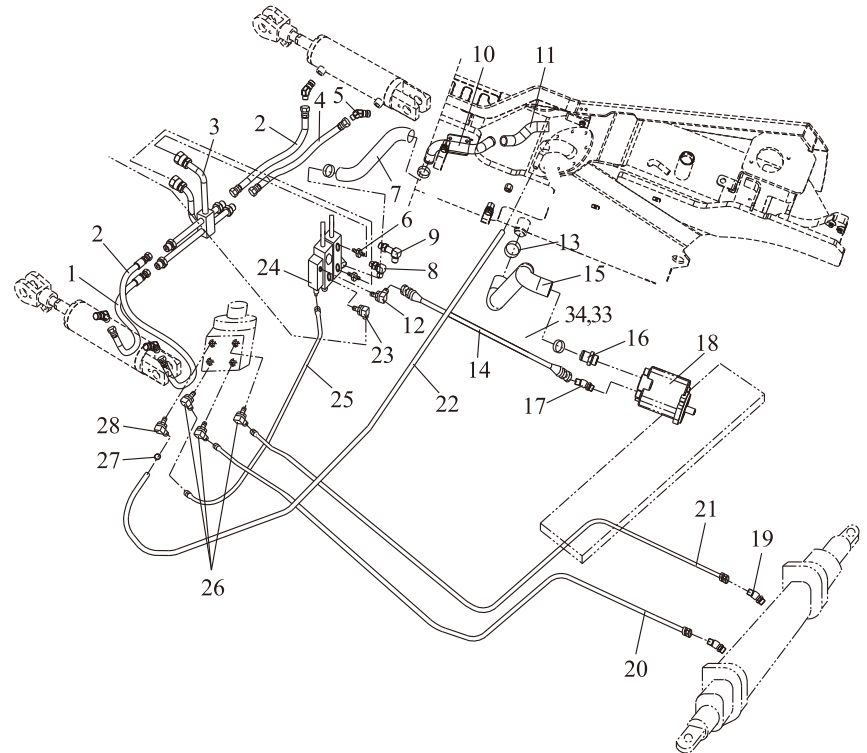
Item	Part No	Description	Q'ty	Remark
-	A30DA4-30000	Control ass'y	1	
29	TGLBL-08080-H35*G	8I×800 Hose H.P	1	EX-B
-	TGLBCI-08080-H35*G	8I×800 Hose H.P	1	EX-A
30	GJT-682-00	Connector	3	EX-B
-	GJT-759-00	Connector	3	EX-A
31	JB/T 8870	25×16 Clip	2	
32	GJT-683-00	Connector	1	
33	GB/T93	10 Washer ,lock	8	
34	GB/T70.1	M10×1.25×30 Screw	8	



Hydraulic system

Item	Part No	Description	Q'ty	Remark
1	TGIBII-08050*J	8II×500 Hose H.P	1	EX-B
-	TGICII-08050*J	8II×500 Hose H.P	1	EX-A
2	TGIBII-08040*J	8II×400 Hose H.P	2	EX-B
-	TGICII-08040*J	8II×400 Hose H.P	2	EX-A
3	A30DA4-00100	Steel pipe ass'y	1	EX-B
-	A30DD4-00100	Steel pipe ass'y	1	EX-A
4	TGIBII-08030*J	8II×300 Hose H.P	1	EX-B
-	TGICII-08030*J	8II×300 Hose H.P	1	EX-A
5	GJT-681-00	Connector	4	EX-B
-	GJT-758-00	Connector	4	EX-A
6	GJT-18-00	Nipple	2	
7	A30DK4-00003	Hose	1	
8	GJT-11-00	Elbow	0	EX-B
-	GJT-11-00	Elbow	1	EX-B
-	GJT-11-00	Elbow	2	用EX-B
-	GJT-11-00	Elbow	3	EX-B
-	GJT-706-00	Elbow	0	EX-A
-	GJT-706-00	Elbow	1	EX-A
-	GJT-706-00	Elbow	2	EX-A
-	GJT-706-00	Elbow	3	EX-A
9	GJT-12-00	Elbow	0	EX-B
-	GJT-12-00	Elbow	1	EX-B
-	GJT-12-00	Elbow	2	EX-B
-	GJT-12-00	Elbow	3	EX-B
-	GJT-707-00	Elbow	0	EX-A
-	GJT-707-00	Elbow	1	EX-A
-	GJT-707-00	Elbow	2	EX-A
-	GJT-707-00	Elbow	3	EX-A
10	A30DK4-00100	Steel pipe	1	
11	A30DK4-00002	I Hose	1	

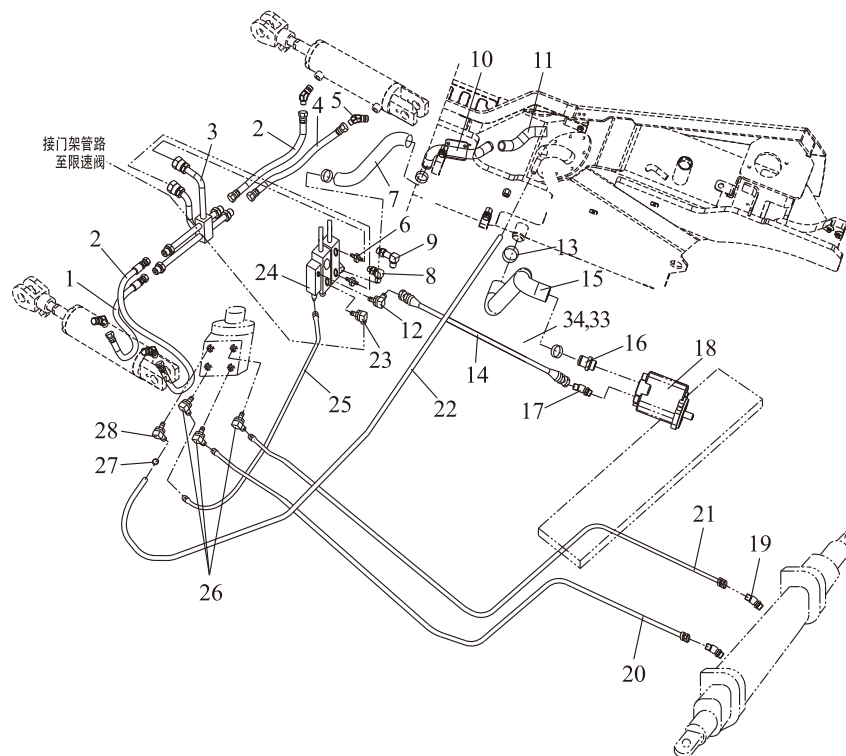
FD30G-DS1



Hydraulic system

Item	Part No	Description	Q'ty	Remark
12	GJT-20-00	Elbow	1	EX-B
-	GJT-230-00	Elbow	1	EX-A
13	JB/T 8870	50×32 Clip	4	
14	TGIBII-13122*G	13II×1220 Hose H. P	1	EX-B
-	TGICII-13122*G	13II×1220 Hose H. P	1	EX-A
15	A30DA4-00002	I Hose	1	
16	GJT-08-00	Through joint	1	
17	GJT-09-00	Elblow	1	EX-B
-	GJT-322-00	Elblow	1	EX-A
18	A30D4-20000	Gearpump	1	
19	GJT-17-00	Joint	2	EX-B
-	GJT-10-00	Through joint	2	EX-B
-	GJT-705-00	Connector	2	EX-A
-	GJT-708-00	Nipple	2	EX-A
20	TGIBI-08240*G	8I×2400 Hose H. P	1	EX-B
-	TGUBI-08250-H2500h50*G	8I×2500 Hose H. P	1	EX-B
-	TGICI-08240*G	8I×2400 Hose H. P	1	EX-A
-	TGUCL-08250-H2500h50*G	8I×2500 Hose H. P	1	EX-A
21	TGIBI-08250*G	8I×2500 Hose H. P.	1	EX-B
-	TGUBI-08260-H2600h50*G	8I×2500 Hose H. P	1	EX-B
-	TGICI-08250*G	8I×2500 Hose H. P.	1	EX-A
-	TGUBI-08260-H2600h50*G	8I×2600 Hose H. P	1	EX-A
22	TG000-13150	φ 13×1500 Hose L.P.	1	
23	GJT-19-00	Elbow	1	EX-B
-	GJT-232-00	Elbow	1	EX-A
24	A30A4-30000	Control ass'y	1	
-	A30DA4-30000	Control ass'y	1	
25	TGLBI-08080-H35*G	8I×800 Hose H.P	1	EX-B
-	TGLBCI-08080-H35*G	8I×800 Hose H.P	1	EX-A
26	GJT-682-00	Connector	3	EX-B

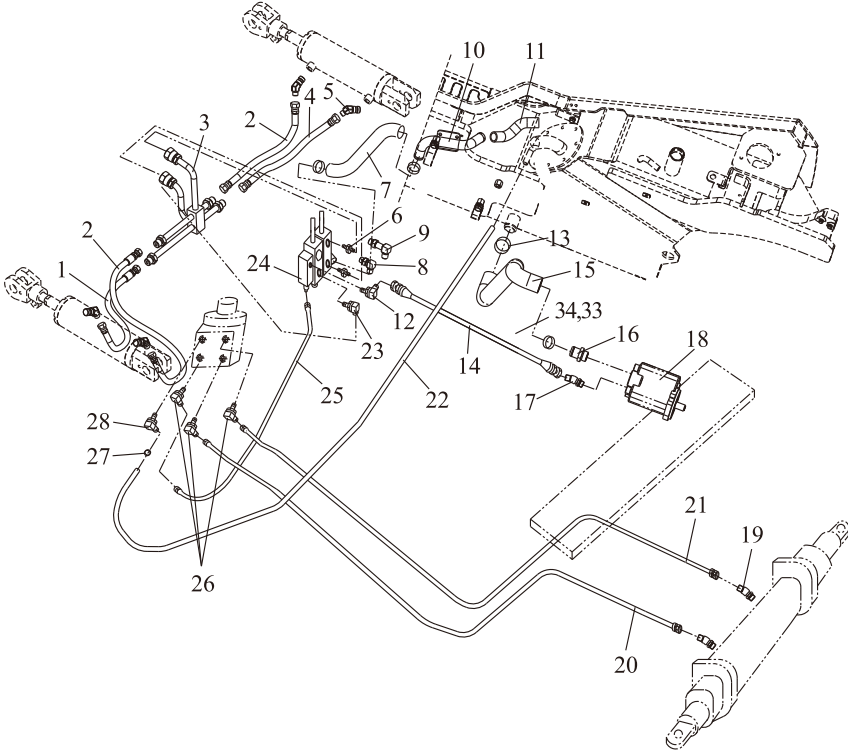
FD30G-DS1



Hydraulic system

FD30G-DS1

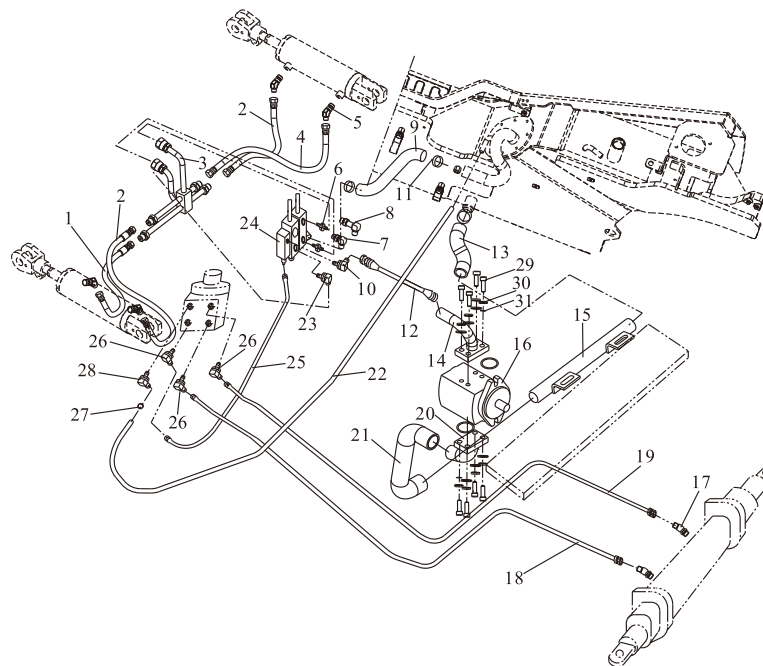
Item	Part No	Description	Q'ty	Remark
-	GJT-759-00	Connector	3	EX-A
27	JB/T 8870	25×16 Clip	2	
28	GJT-683-00	Connector	1	



hydraulic system

Item	Part No	Description	Q'ty	Remark
1	TGIBII-08050*J	8II×500 Hose H.P	1	
2	TGIBII-08040*J	8II×400 Hose H.P	2	
3	A30DA4-00100	Steel pipe ass'y	1	
4	TGIBII-08030*J	8II×300 Hose H.P	1	
5	GJT-681-00	Connector	4	
6	GJT-18-00	Nipple	2	
7	GJT-11-00	Nipple	0	
-	GJT-11-00	Nipple	1	
-	GJT-11-00	Nipple	2	
-	GJT-11-00	Nipple	3	
8	GJT-12-00	Nipple	0	
-	GJT-12-00	Nipple	1	
-	GJT-12-00	Nipple	2	
-	GJT-12-00	Nipple	3	
9	A30DA4-00001	Hose	1	
10	GJT-20-00	Elbow	1	
11	JB/T 8870	50×32 Clip	4	
12	TGIBII-13147*G	13II×1470 Hose H. P	1	
13	A30DD4-00001	I Hose	1	
14	GJT-178-00	Oil outlet joint	1	
15	A30BA4-00100	Pipe ass'y	1	
16	A30F4-20000	Gearpump	1	FD20~35-S2
-	A30BA4-20000	Gearpump	1	FD20~35-S5
17	GJT-17-00	Joint	2	
-	GJT-10-00	Through joint	2	
18	TGIBI-08240*G	8I×2400 Hose H. P	1	
-	TGUBI-08250-H2500h50*G	8I×2500 Hose H. P	1	
19	TGIBI-08250*G	8I×2500 Hose H. P.	1	
-	TGUBI-08260-H2600h50*G	8I×2600 Hose H. P	1	
20	GJT-221-00	Oil inlet joint	1	

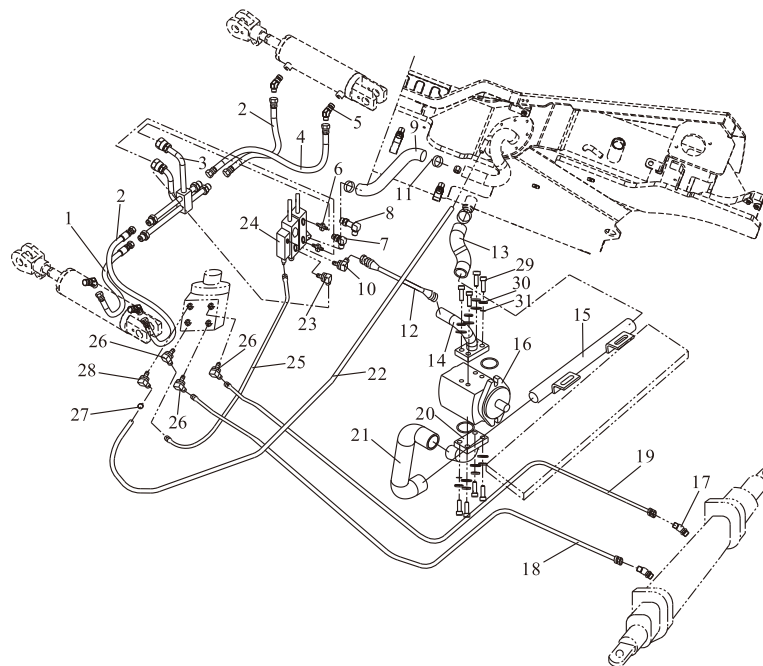
FD20~35-S2/S5



hydraulic system

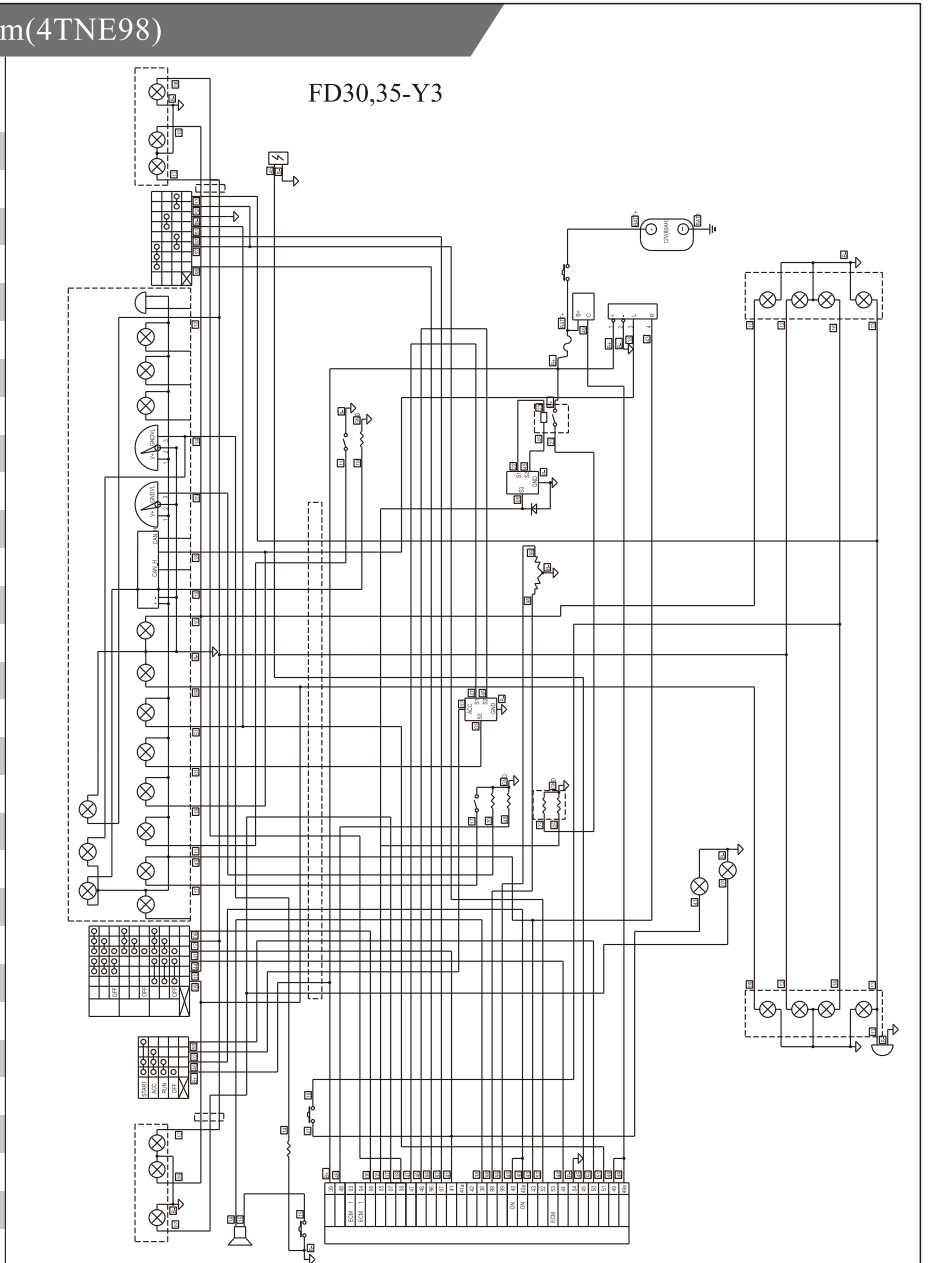
Item	Part No	Description	Q'ty	Remark
21	A30DD4-00002	II Hose	1	
22	TG000-13150	$\phi 13 \times 1500$ Hose L.P.	1	
23	GJT-19-00	Elbow	1	
24	A30A4-30000	Control ass'y	1	
-	A30DA4-30000	Control ass'y	1	
25	TGLBI-08080-H35*G	8I \times 800 Hose H.P.	1	
26	GJT-682-00	Connector	3	
27	JB/T 8870	25 \times 16 Clip	2	
28	GJT-683-00	Connector	1	
29	GB/T5783	M10 \times 1.25 \times 30 Screw	8	
30	GB/T93	10 Washer ,lock	8	
31	GB/T97.1	10 Washer	8	

FD20~35-S2/S5



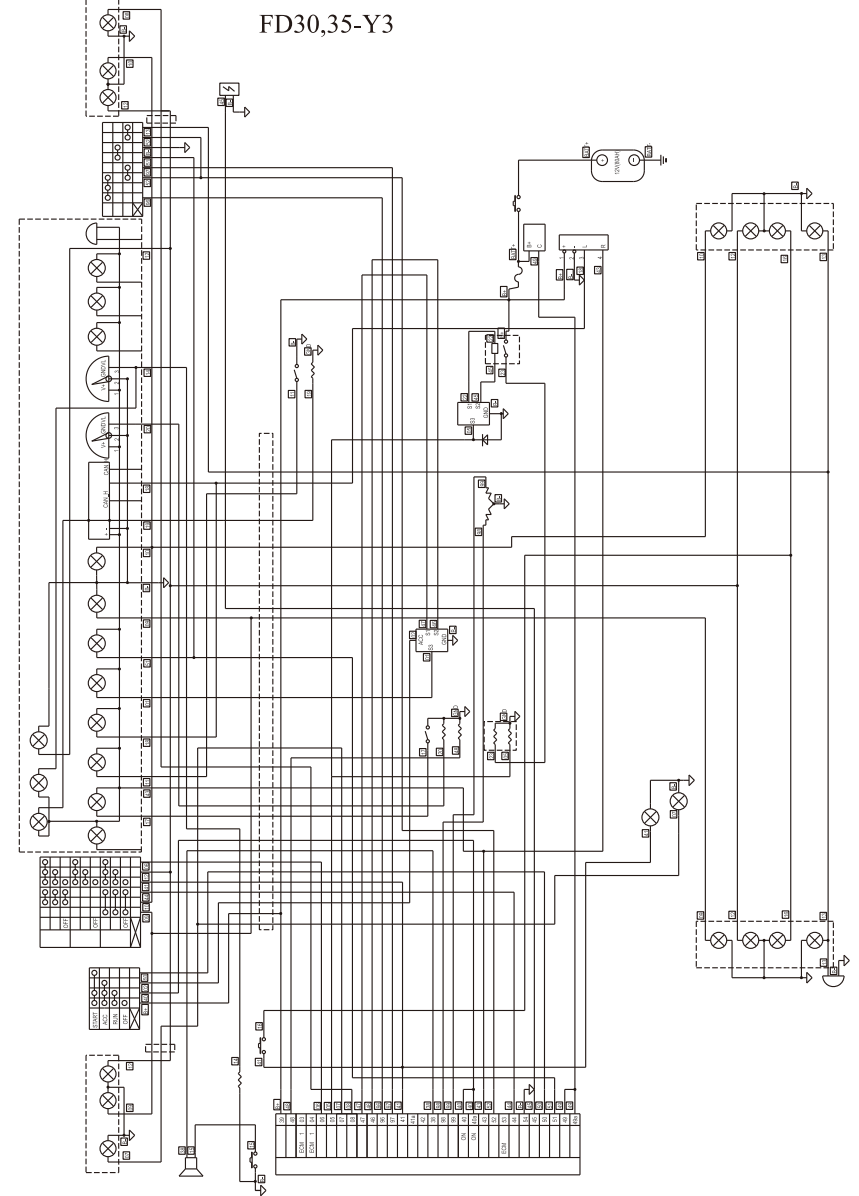
Electrical system(4TNE98)

Item	Part No	Description	Q'ty	Remark
1	A30C2-20002	Battery	1	
2	A30DA2-80400	Cable	1	
3	A45I2-80900	Cable	1	
4	T20G2-20100	Fuse box	1	
5	A30DA2-50200	Fuel sensor	1	
6	A15G2-40200	Front combination lamp	2	
7	A30DA2-80300	Taillight tieline	1	
8	A30DA2-80200	Head guard harness	1	
9	A30DA2-70100	Combination	1	
10	A30DA2-60100	Integral switch	1	
11	DT09G-DL124ED	Horn	1	
12	GB/T 5783	M8×20 Bolt	1	
13	GB/T97.1	8 Washer	1	
14	GB/T 93	8 Washer,lock	1	
15	A30DA2-10100	Panel	1	
16	GB/T 823	M5×12 Screw	4	
17	A35K2-40200	Three color tail lights	2	
18	A30C2-60500	Back buzzer	1	
19	GB/T 5783	M6×20 Bolt	1	
20	GB/T 96.1	6 Washer	2	
21	GB/T 93	6 Washer,lock	1	
22	GB/T 6170	M6 Nut	1	
23	DT04G-LTD152	Caution light	1	
24	T20G2-60500	Brake switch	1	
25	A30DA2-80100	Vehicle wiring harness	1	
26	180型	Banding belt	15	
27	T20A2-50500	Oil temp sending unit	1	
28	DZ03G-R1/2SY	Water temp sending unit	1	
29	A30DA2-60200	Key switch	1	
30	A30DA2-10200	Control box preheating time	1	



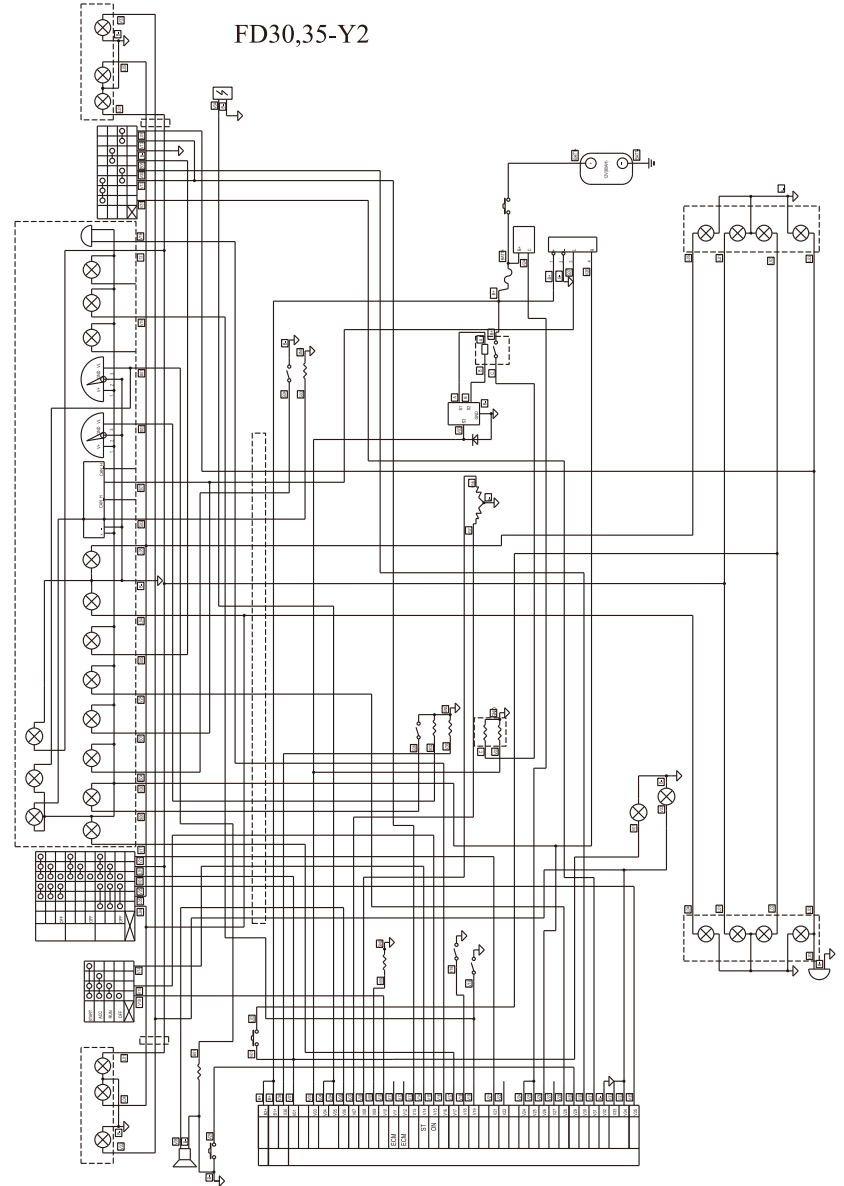
Electrical system(4TNE98)

Item	Part No	Description	Q'ty	Remark
31	A30C2-90100	USB charger hole	1	
32	A30C2-40200	Head lamp ass'y	1	



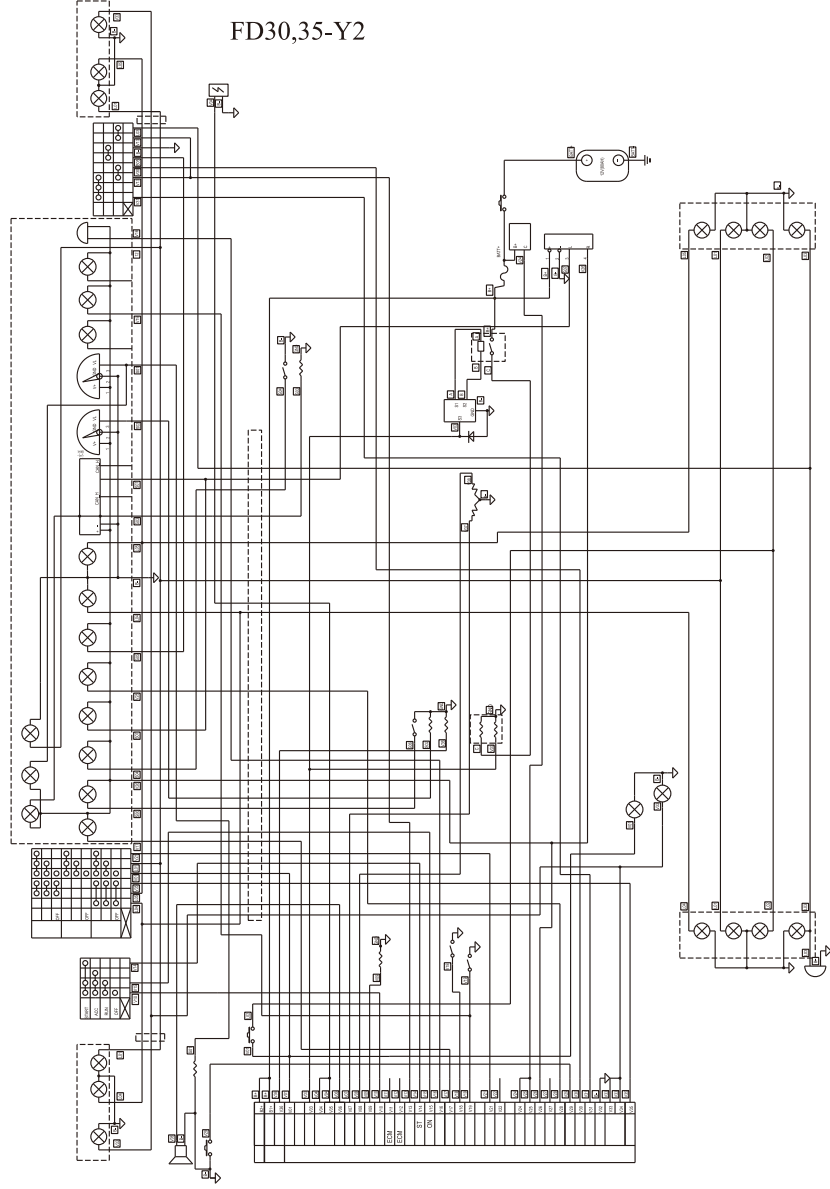
Electrical system(4TNE94)

Item	Part No	Description	Q'ty	Remark
1	A30C2-20002	Battery	1	
2	A30DA2-80400	Cable	1	
3	A45I2-80900	Cable	1	
4	T20G2-20100	Fuse box	1	
5	A30DA2-50200	Fuel sensor	1	
6	A15G2-40200	Front combination lamp	2	
7	A30DA2-80300	Rear lamp patchcord	1	
8	A30DA2-80200	Head guard harness	1	
9	A30DA2-70100	Combination	1	
10	A30DA2-60100	Integral switch	1	
11	DT09G-DL124ED	Horn	1	
12	GB/T 5783	M8×20 Bolt	1	
13	GB/T97.1	8 Washer	1	
14	GB/T 93	8 Washer,lock	1	
15	T20B2-10100	Panel	1	
16	GB/T 823	M5×12 Screw	4	
17	A35K2-40200	Rear combination lamp	2	
18	A30C2-60500	Back buzzer	1	
19	GB/T 5783	M6×20 Bolt	1	
20	GB/T 96.1	6 Bolt	2	
21	GB/T 93	6 Washer,lock	1	
22	GB/T 6170	M6 Nut	1	
23	DT04G-LTD152	Caution light	1	
24	T20G2-60500	Brake switch	1	
25	A30DA2-80500	Vehicle harness	1	
26	180	Strapping	15	
27	T20A2-50500	Oil temp sending unit	1	
28	DZ03G-R1/2SY	Water temp sending unit	1	
29	A30DA2-60200	Key switch	1	
30	A30C2-90100	USB charger hole	1	

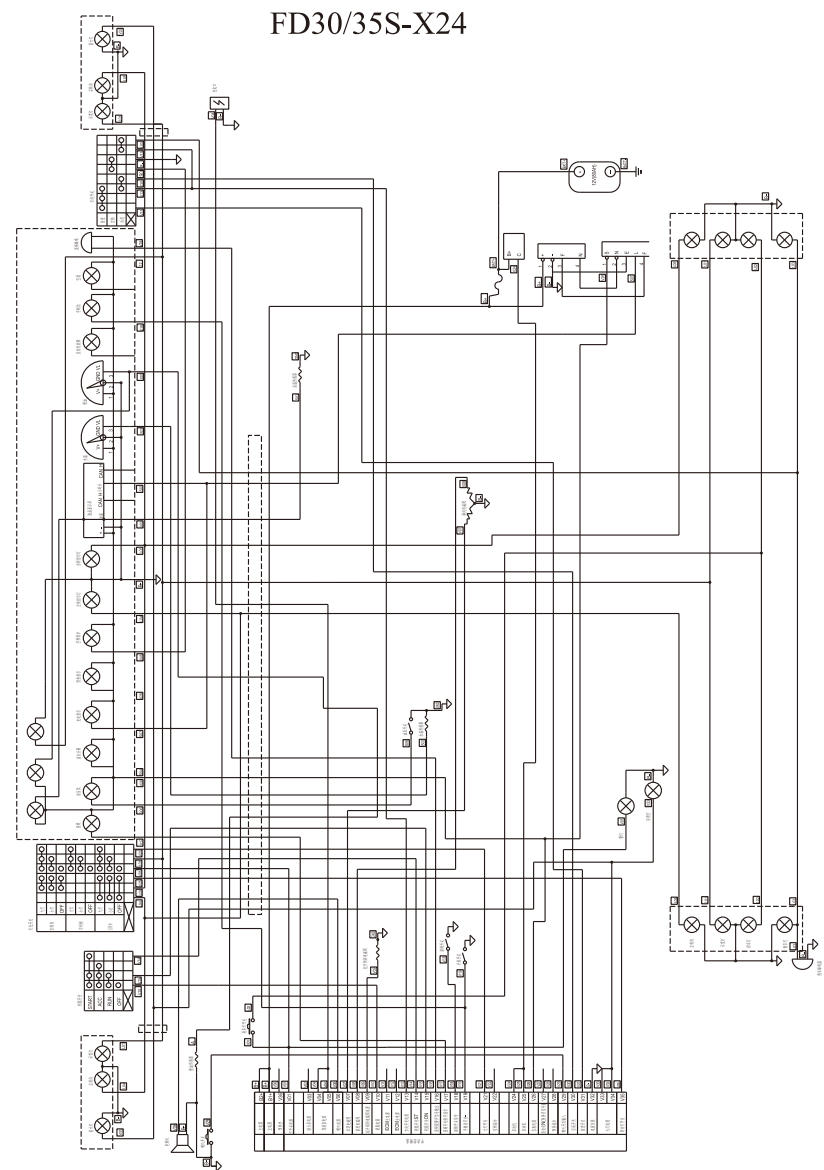


Electric system(Yanmar 4TNV94)

Item	Part No	Description	Q'ty	Remark
31	A30C2-40200	Head lamp ass y	1	
32	A70S2-00900	Emergency power switch	1	
33	A30DA2-80600	Cable	1	



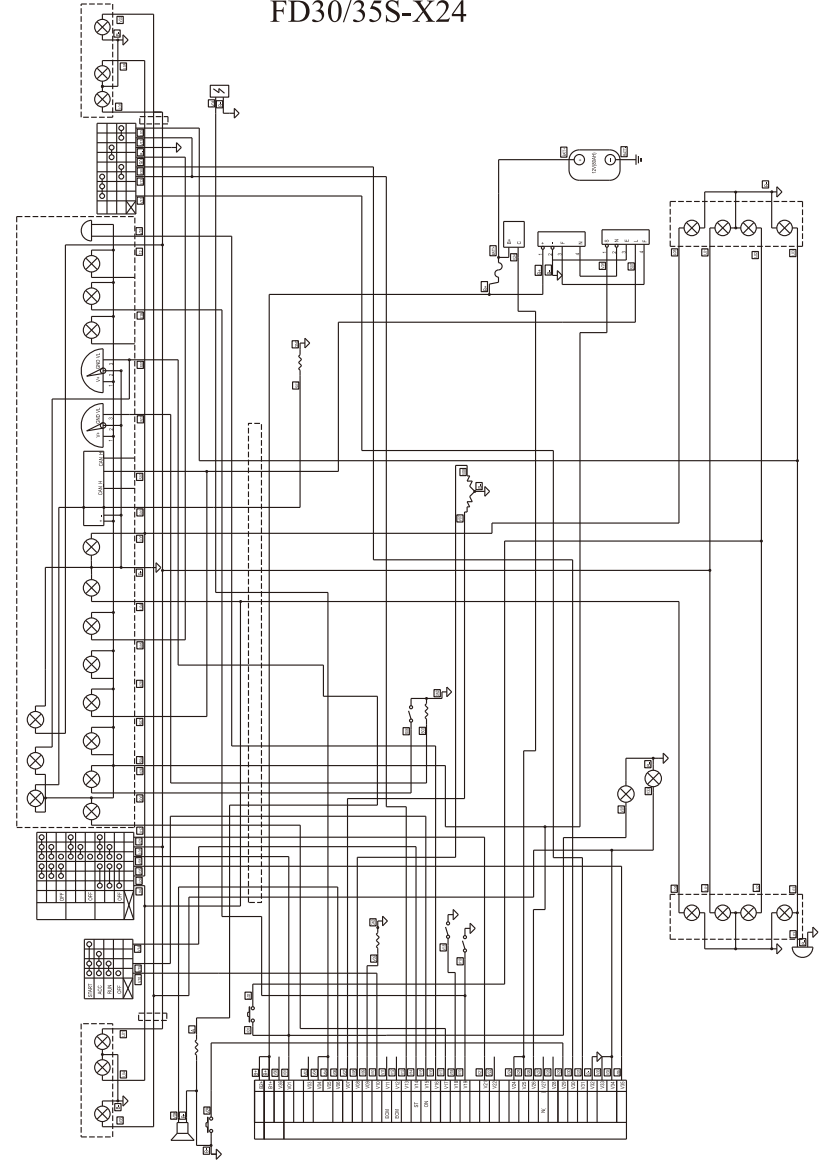
Item	Part No	Description	Q'ty	Remark
1	A30C2-20002	Battery	1	
2	T20I2-80200	Cable	1	
3	A45I2-80900	Cable	1	
4	T20G2-20100	Fuse box	1	
5	A30DA2-50200	Fuel sensor	1	
6	A15G2-40200	Front combination lamp	2	
7	A30DA2-80300	Rear lamp patchcord	1	
8	A30DA2-80200	Head guard harness	1	
9	A30DA2-70200	Combination	1	
10	A30DA2-60100	Integral switch	1	
11	DT09G-DL124ED	Horn	1	
12	GB/T 5783	M8×20 Bolt	1	
13	GB/T97.1	8 Washer	1	
14	GB/T 93	8 Washer,lock	1	
15	T20B2-10100	Panel	1	
16	GB/T 823	M5×12 Screw	4	
17	A35K2-40200	Rear combination lamp	2	
18	A30C2-60500	Back buzzer	1	
19	GB/T 5783	M6×20 Bolt	1	
20	GB/T 96.1	6 Bolt	2	
21	GB/T 93	6 Washer,lock	1	
22	GB/T 6170	M6 Nut	1	
23	DT04G-LTD152	Caution light	1	
24	T20G2-60500	Brake switch	1	
25	A30DB2-80100	Vehicle harness	1	
26	180型	Strapping	15	
27	DZ03G-R1/2SY	Oil temp sending unit	1	
28	DZ03G-Z3/8	Water temp sending unit	1	
29	A30DA2-60200	Key switch	1	
30	A30C2-90100	USB charger hole	1	



Electric system()

Item	Part No	Description	Q'ty	Remark
31	A30C2-40200	Head lamp ass'y	1	
32	DT09G-JK147		1	

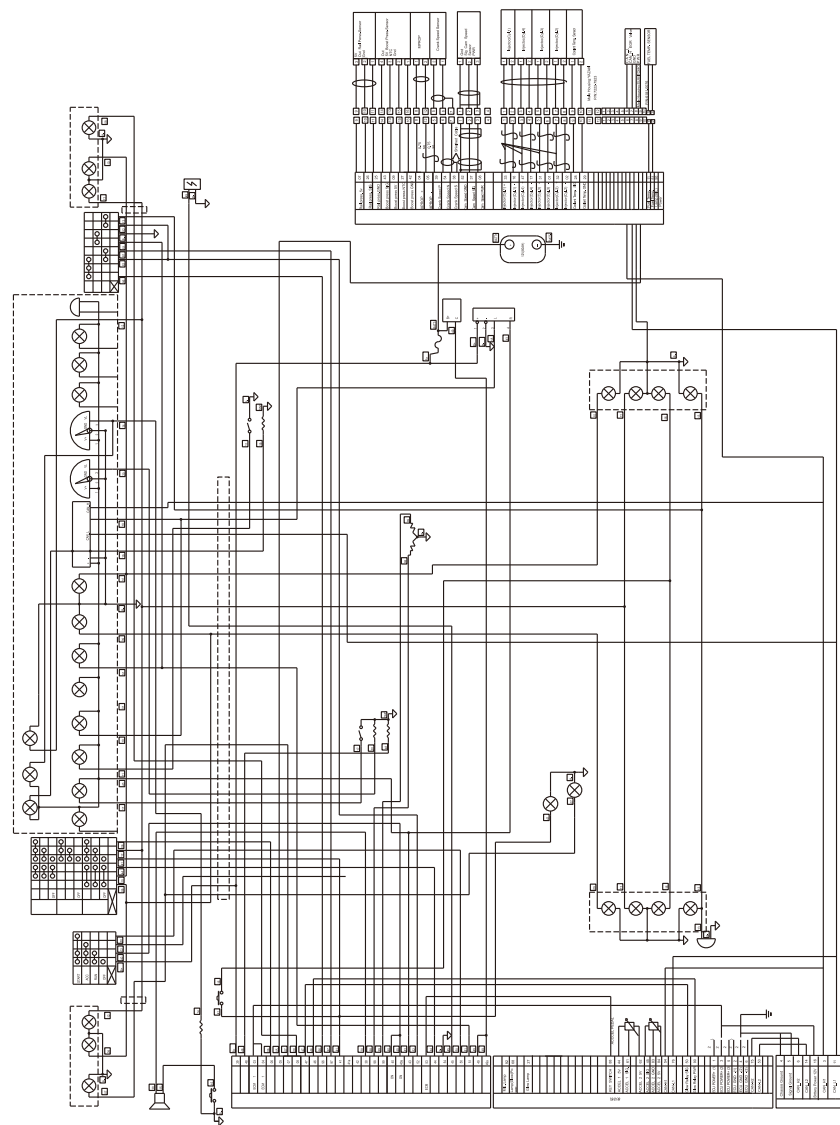
FD30/35S-X24



D04EG Electric system(Mitsubishi D04EG)

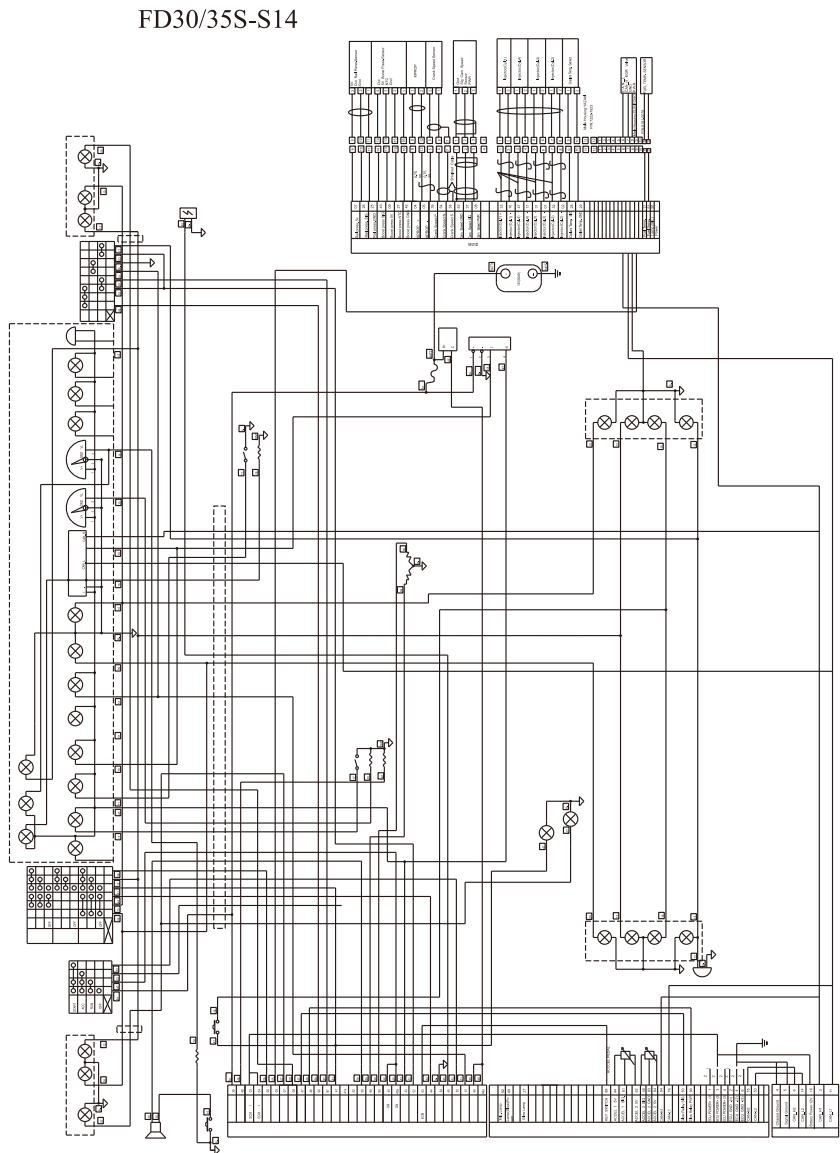
Item	Part No	Description	Q'ty	Remark
1	A30C2-20002	Battery	1	
2	T20I2-80200	Cable	1	
3	A45I2-80900	Cable	1	
4	T20G2-20100	Fuse box	1	
5	A30DA2-50200	Fuel sensor	1	
6	A15G2-40200	Front combination lamp	2	
7	A30DA2-80300	Rear lamp patchcord	1	
8	A30DA2-80200	Head guard harness	1	
9	A30DA2-70200	Combination	1	
10	A30DA2-60100	Integral switch	1	
11	DT09G-DL124ED	Horn	1	
12	GB/T 5783	M8×20 Bolt	1	
13	GB/T97.1	8 Washer	1	
14	GB/T 93	8 Washer,lock	1	
15	A30DA2-10100	Panel	1	
16	GB/T 823	M5×12 Screw	4	
17	A35K2-40200	Rear combination lamp	2	
18	A30C2-60500	Back buzzer	1	
19	GB/T 5783	M6×20 Bolt	1	
20	GB/T 96.1	6 Bolt	2	
21	GB/T 93	6 Washer,lock	1	
22	GB/T 6170	M6 Nut	1	
23	DT04G-LTD152	Caution light	1	
24	T20G2-60500	Brake switch	1	
25	A30DD2-80100	Vehicle harness	1	
26	180型	Strapping	15	
27	DZ03G-R1/2SY	Oil temp sending unit	1	
28	A30DA2-60200	Key switch	1	
29	A30C2-90100	USB charger hole	1	
30	A30C2-40200	Head lamp ass'y	1	

FD30/35S-S14



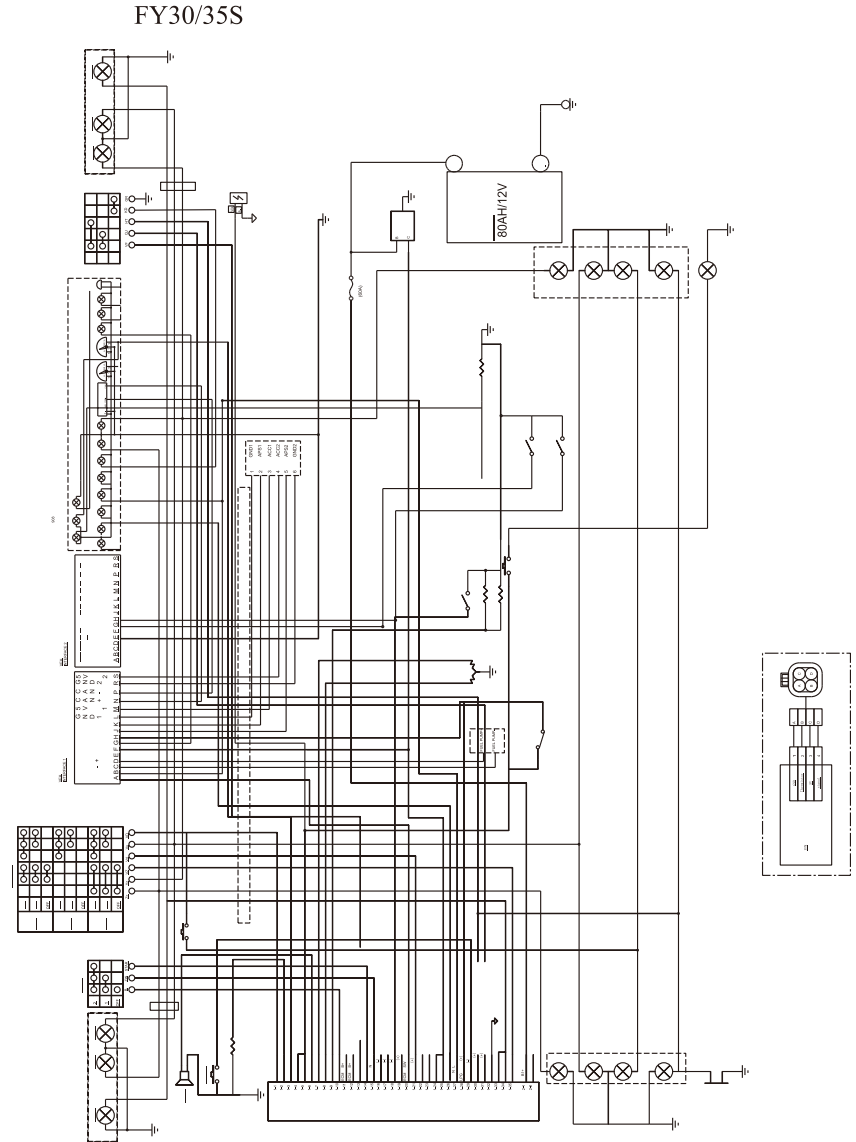
D04EG Electric system(Mitsubishi D04EG)

Item	Part No	Description	Q'ty	Remark
31	A30AB2-60100	Accelerator	1	
32	A30BN2-10200	OPS Control box	1	
33	F30B2-60101	Blocking	2	
34	F30B2-60102	Frame	2	



Electric system()

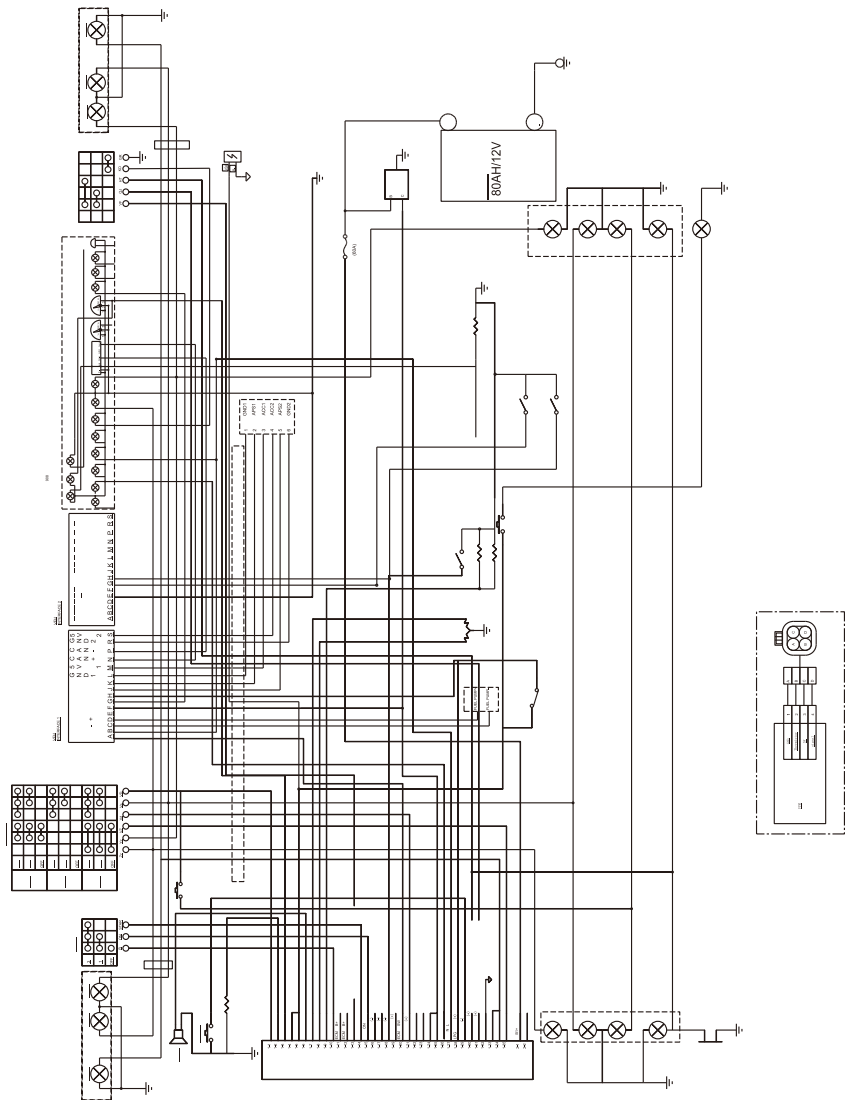
Item	Part No	Description	Q'ty	Remark
1	A30C2-20002	Battery	1	
2	A30BJ2-10200	Central control box	1	
3	GB/T 823	M5×12 Screw	4	
4	A15G2-40200	Front combination lamp	2	
5	DT04G-LTD152	Caution light	1	
6	A30DA2-80200	Head guard harness	2	
7	A30DA2-80400	Cable	1	
8	A45I2-80900	Cable	1	
9	T20G2-20100	Fuse	1	
10	A30DE2-80200	Vehicle harness	1	
11	180型	Strapping	15	
12	T20G2-60500	Brake switch	1	
13	A30DC2-60100	Fuel switch	1	
14	A30C2-60500	Back buzzer	1	
15	GB/T 5783	M6×20 Bolt	1	
16	GB/T 96.1	6 Bolt	2	
17	GB/T 93	6 Washer,lock	1	
18	GB/T 6170	M6 Nut	1	
19	DT09G-DL124ED	Horn	1	
20	GB/T 5783	M8×20 Bolt	1	
21	GB/T97.1	8 Washer	1	
22	GB/T 93	8 Washer,lock	1	
23	A30DA2-60100	Integral switch	1	
24	A30DA2-70100	Combination	1	
25	GB/T 5783	M6×35 Bolt	4	
26	GB/T 96.1	6 Washer	4	
27	A30A6-00008	Bushing	4	
28	DZ03G-R1/2SY	Oil temp sending unit	1	
29	A30DA2-50200	Fuel sensor	1	
30	GB/T 823	M5×12 Screw	5	



Electric system()

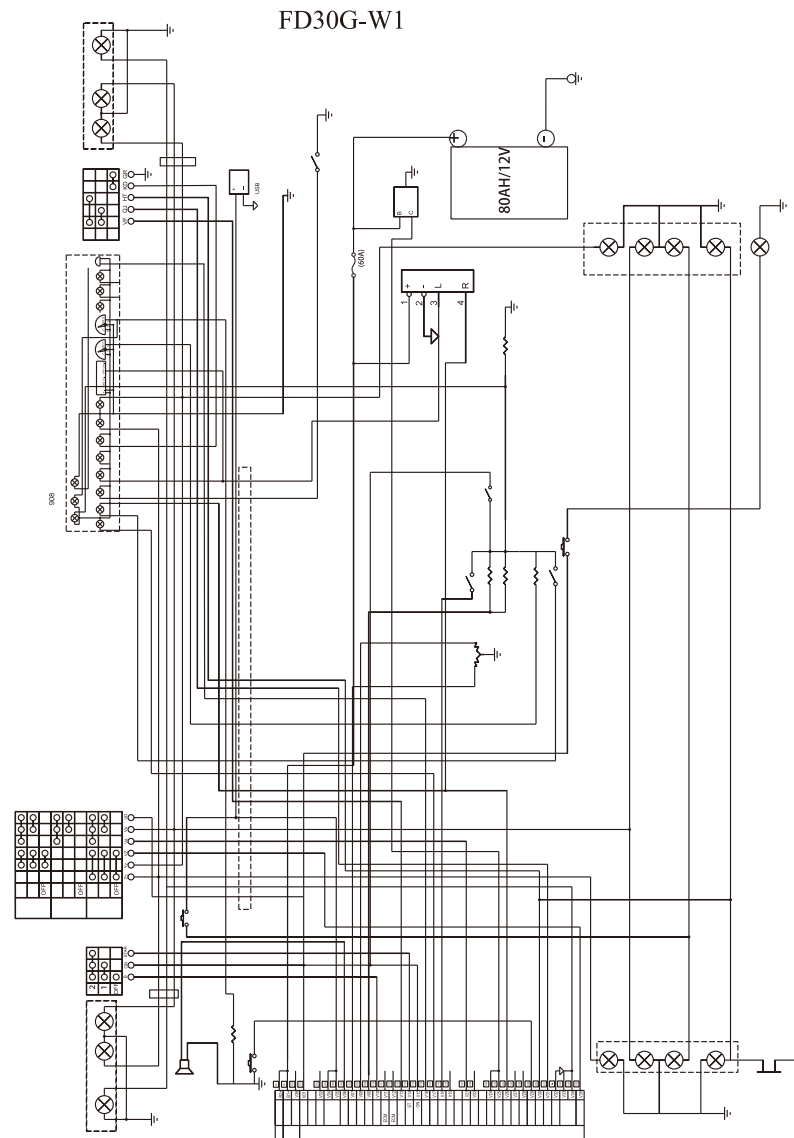
Item	Part No	Description	Q'ty	Remark
31	A30DA2-60200	Key switch	1	
32	A30BN2-10200	USB Charging port	1	
33	A30BJ2-60200	Delphi 16-hole plug	1	:15016868P
34	A30BJ2-60300	Delphi 16-hole plug	1	:15016832P
35	A30BN2-60100	Accelerator	1	
36	A30DA2-80300	Head guard harness	1	

FY30/35S



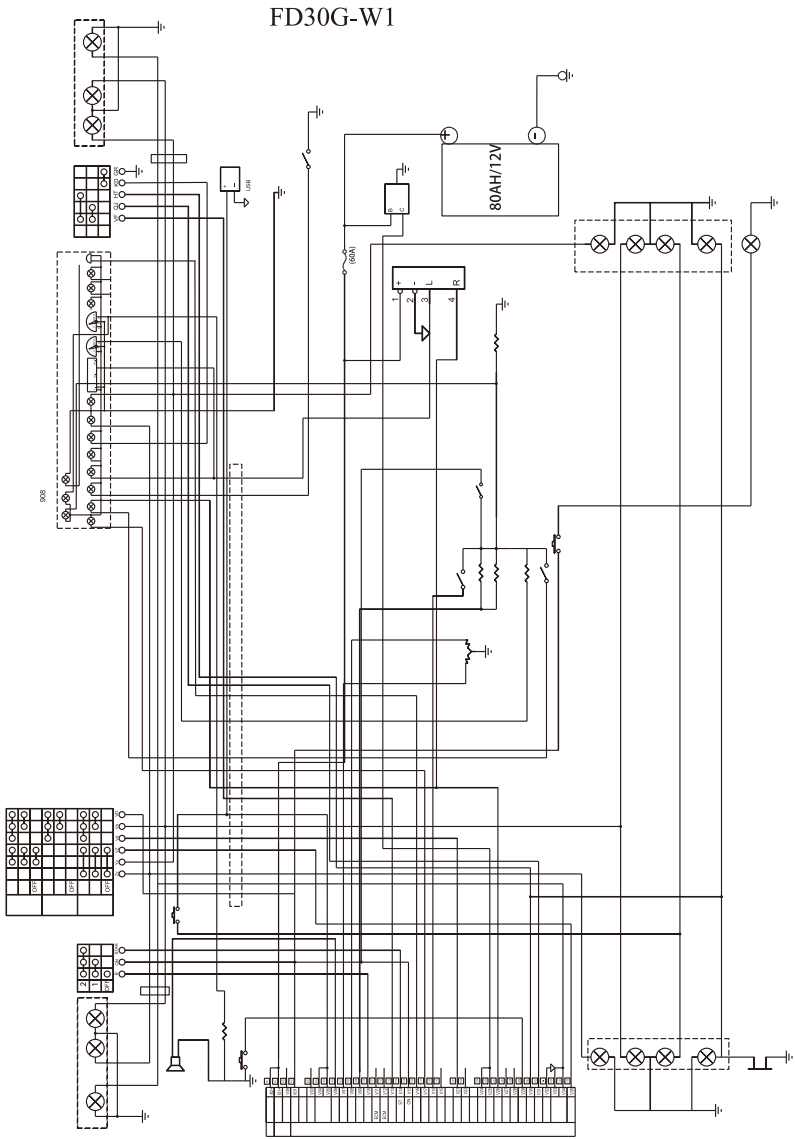
C240 Electric system()

Item	Part No	Description	Q'ty	Remark
1	A30C2-20002	Battery	1	
2	T20B2-10100	Central control box	1	
3	GB/T 823	M5×12 Screw	4	
4	A15G2-40200	Front combination lamp	2	
5	DT04G-LTD152	Caution light	1	
6	A30DA2-80200	Head guard harness	2	
7	A30DA2-80400	Cable	1	
8	A45I2-80900	Cable	1	
9	T20G2-20100	Fuse box	1	
10	A30DH2-80100	Vehicle harness	1	
11	180型	Strapping	15	
12	T20G2-60500	Brake switch	1	
13	A30C2-60500	Back buzzer	1	
14	GB/T 5783	M6×20 Bolt	1	
15	GB/T 96.1	6 Washer	2	
16	GB/T 93	6 Washer lock	1	
17	GB/T 6170	M6 Nut	1	
18	DT09G-DL124ED	Horn	1	
19	GB/T 5783	M8×20 Bolt	1	
20	GB/T97.1	8 Washer	1	
21	GB/T 93	8 Washer,lock	1	
22	A30DA2-60100	Integral switch	1	
23	A30DA2-70200	Combination	1	
24	GB/T 5783	M6×35 Bolt	4	
25	GB/T 96.1	6 Washer	4	
26	A30A6-00008	Bushing	4	
27	T20A2-50500	Oil temp sending unit	1	
28	A30DA2-50200	Fuel sensor	1	
29	GB/T 823	M5×12 Screw	5	
30	A30DA2-60200	Key switch	1	



C240 Electric system()

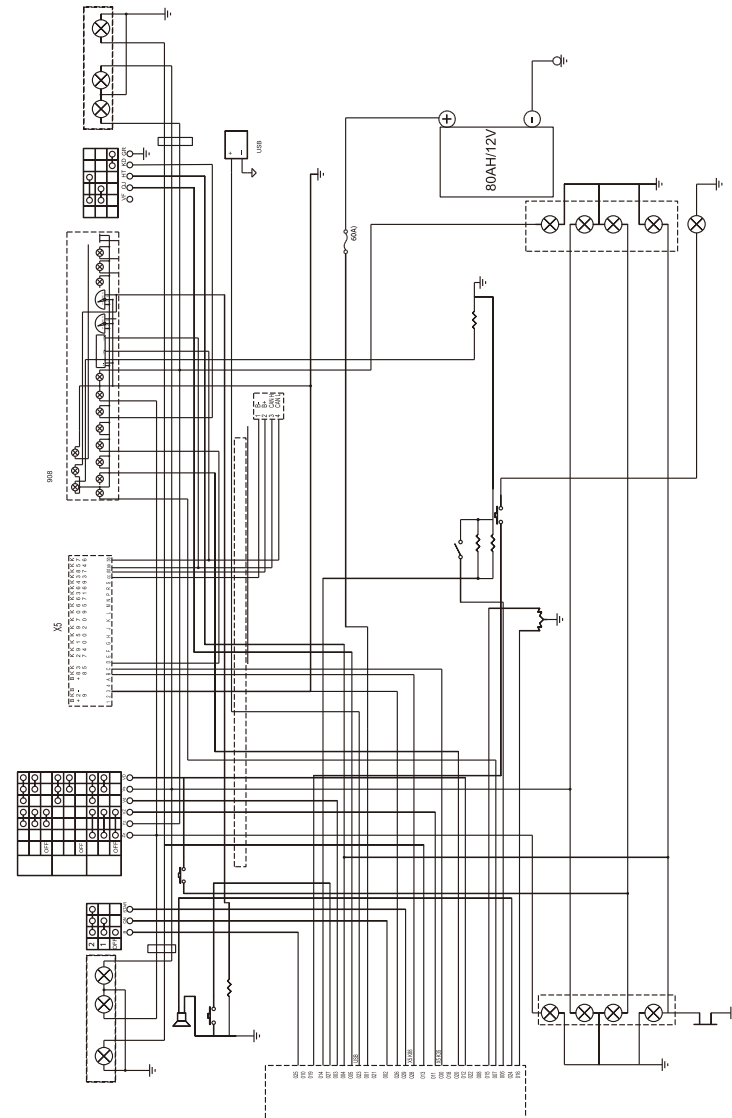
Item	Part No	Description	Q'ty	Remark
31	A30C2-90100	USB charger hole	1	
32	DZ03G-Z3/8	Water temp sending unit	1	
33	A30DA2-80300	Rear lamp patchcord	1	



Electrical system()

Item	Part No	Description	Q'ty	Remark
1	A30C2-20002	Battery	1	
2	Y35A2-10100	Centrol control box	1	
3	GB/T 823	M5×12 Screw	4	
4	A15G2-40200	Front combination lamp	2	
5	DT04G-LTD152	Caution light	1	
6	A30DA2-80200	Head guard harness	1	
7	T20I2-80200	Cable	1	
8	A45I2-80900	Cable	1	
9	T20G2-20100	Fuse box	1	
10	A30DI2-80100	Vehicle wiring harness	1	
11	180型	Banding belt	15	
12	T20G2-60500	Brake switch	1	
13	A30C2-60500	Back buzzer	1	
14	GB/T 5783	M6×20 Bolt	1	
15	GB/T 96.1	6 Washer	2	
16	GB/T 93	6 Washer,lock	1	
17	GB/T 6170	M6 Nut	1	
18	DT09G-DL124ED	Horn	1	
19	GB/T 5783	M8×20 Bolt	1	
20	GB/T97.1	8 Washer	1	
21	GB/T 93	8 Washer,lock	1	
22	A30DA2-60100	Integral switch	1	
23	A30DA2-70200	Combination	1	
24	GB/T 5783	M6×35 Bolt	4	
25	GB/T 96.1	6 Bolt	4	
26	A30A6-00008	Bushing	4	
27	T20A2-50500	Oil temp sending unit	1	
28	A30DA2-50200	Fuel sensor	1	
29	GB/T 823	M5×12 Screw	5	
30	A30DA2-60200	Key switch	1	

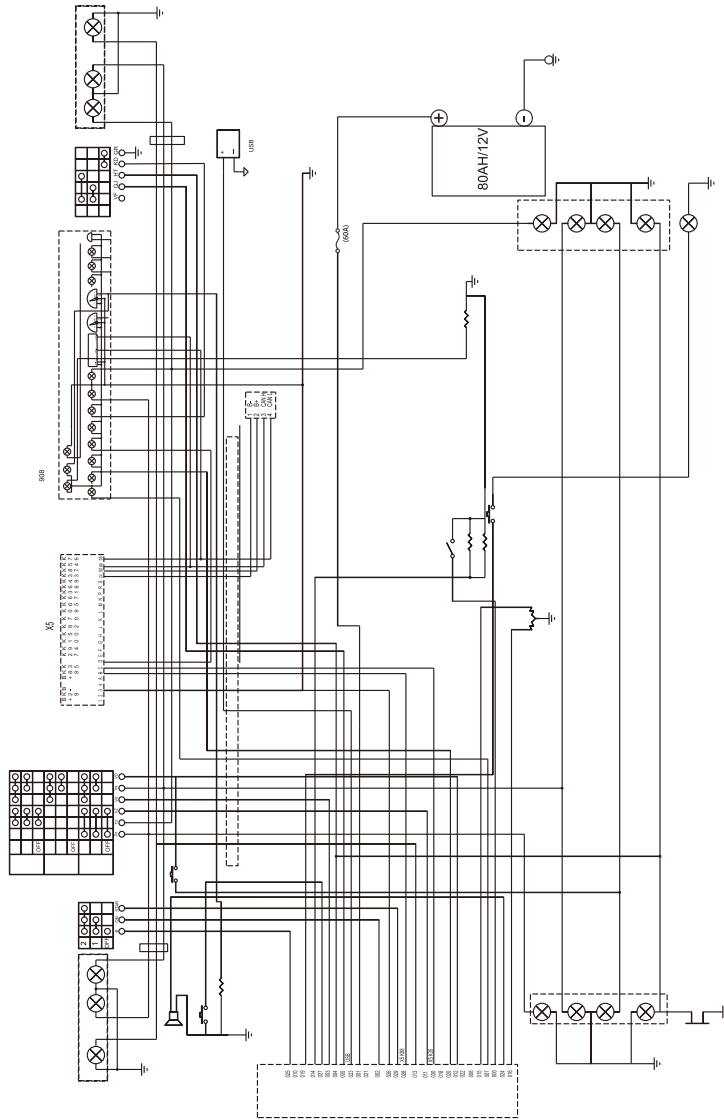
FD30G-H3



Electrical system()

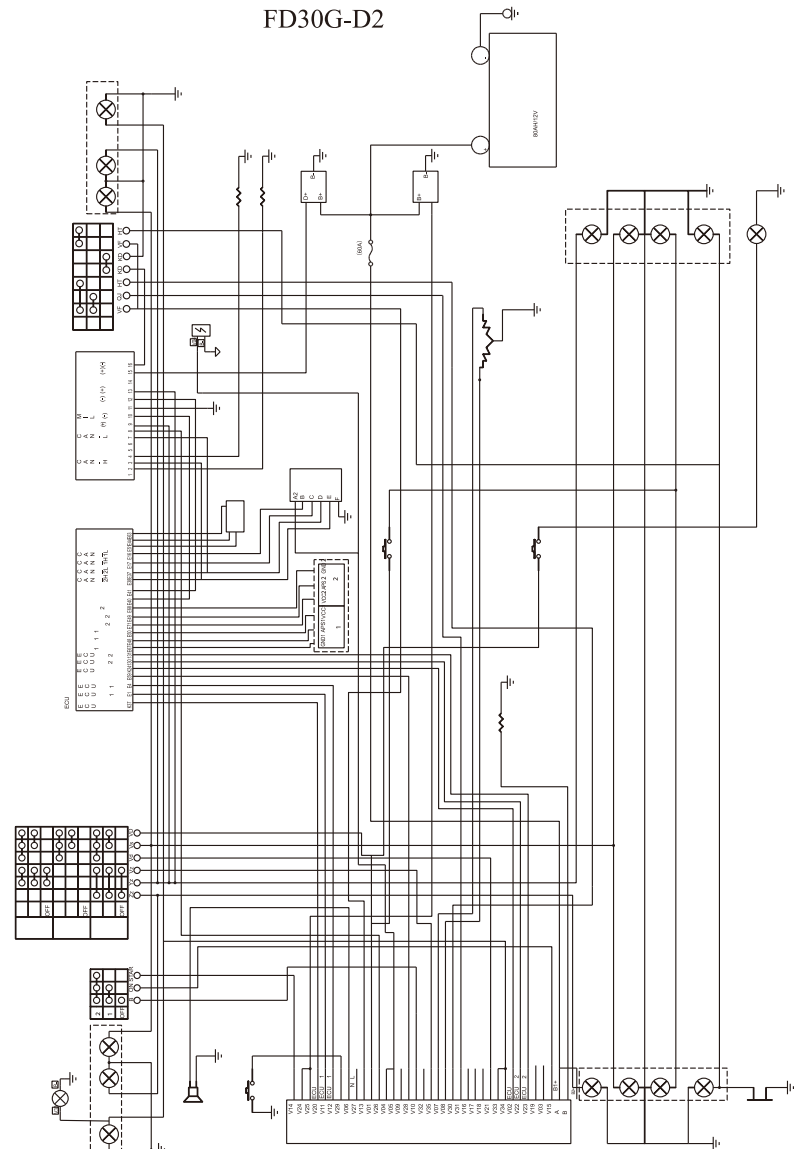
Item	Part No	Description	Q'ty	Remark
31	A30C2-90100	USB charger hole	1	

FD30G-H3



Electrical system()

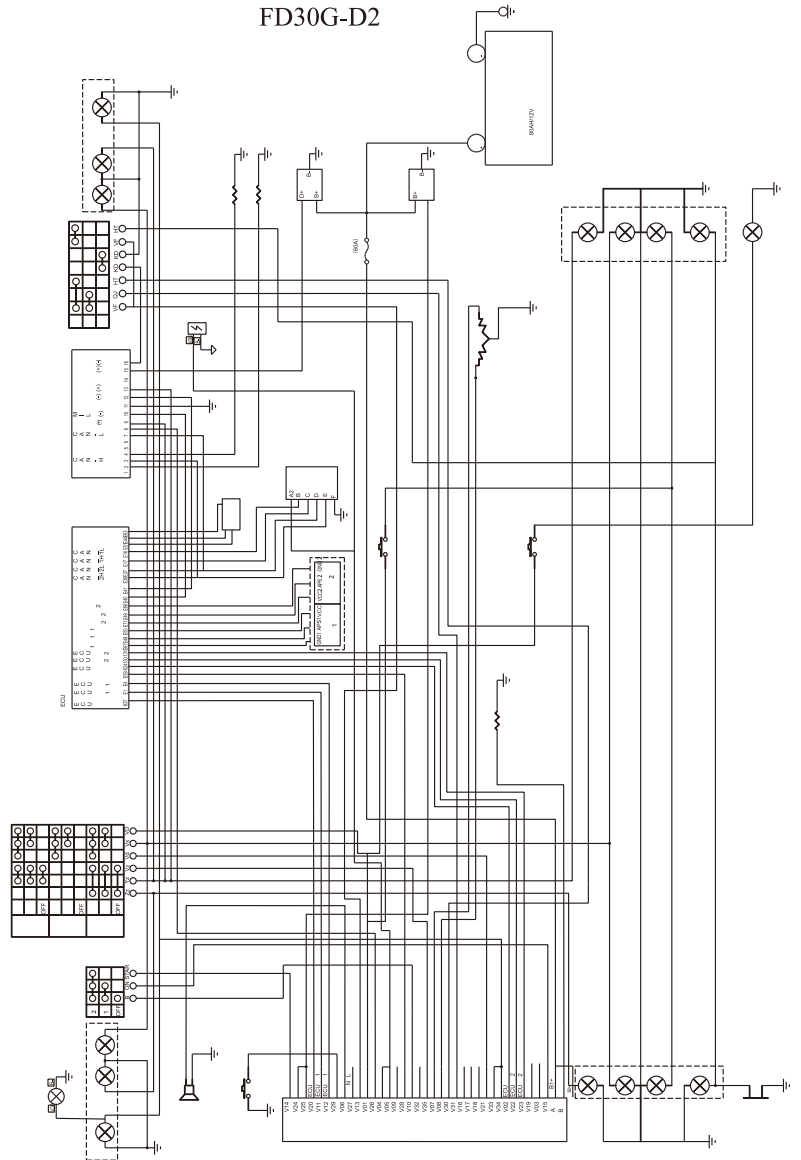
Item	Part No	Description	Q'ty	Remark
1	A30C2-20002	Battery	1	
2	T20I2-80200	Cable	1	
3	A45I2-80900	Cable	1	
4	T20G2-20100	Fuse box	1	
5	A30DA2-50200	Fuel sensor	1	
6	A15G2-40200	Front combination lamp	2	
7	A30DA2-80300	Taillight tieline	1	
8	A30DA2-80200	Head guard harness	1	
9	A30DA2-70200	Combination	1	
10	A30DA2-60100	Integral switch	1	
11	DT09G-DL124ED	Horn	1	
12	GB/T 5783	M8×20 Bolt	1	
13	GB/T97.1	8 Washer	1	
14	GB/T 93	8 Washer,lock	1	
15	A30KA2-10100	Panel	1	
16	GB/T 823	M5×12 Screw	4	
17	A35K2-40200	Three color tail lights	2	
18	A30C2-60500	Back buzzer	1	
19	GB/T 5783	M6×20 Bolt	1	
20	GB/T 96.1	6 Washer	2	
21	GB/T 93	6 Washer,lock	1	
22	GB/T 6170	M6 Nut	1	
23	DT04G-LTD152	Caution light	1	
24	T20G2-60500	Brake switch	1	
25	A30DJ2-80100	Vehicle wiring harness	1	
26	180型	Banding belt	15	
27	DZ03G-R1/2SY	Oil temp sending unit	1	
28	A30DA2-60200	Key switch	1	
29	A30C2-90100	USB charger hole	1	
30	A30C2-40200	Head lamp ass'y	1	



Electrical system()

Item	Part No	Description	Q'ty	Remark
31	A30PP2-60100	Accelerator	1	

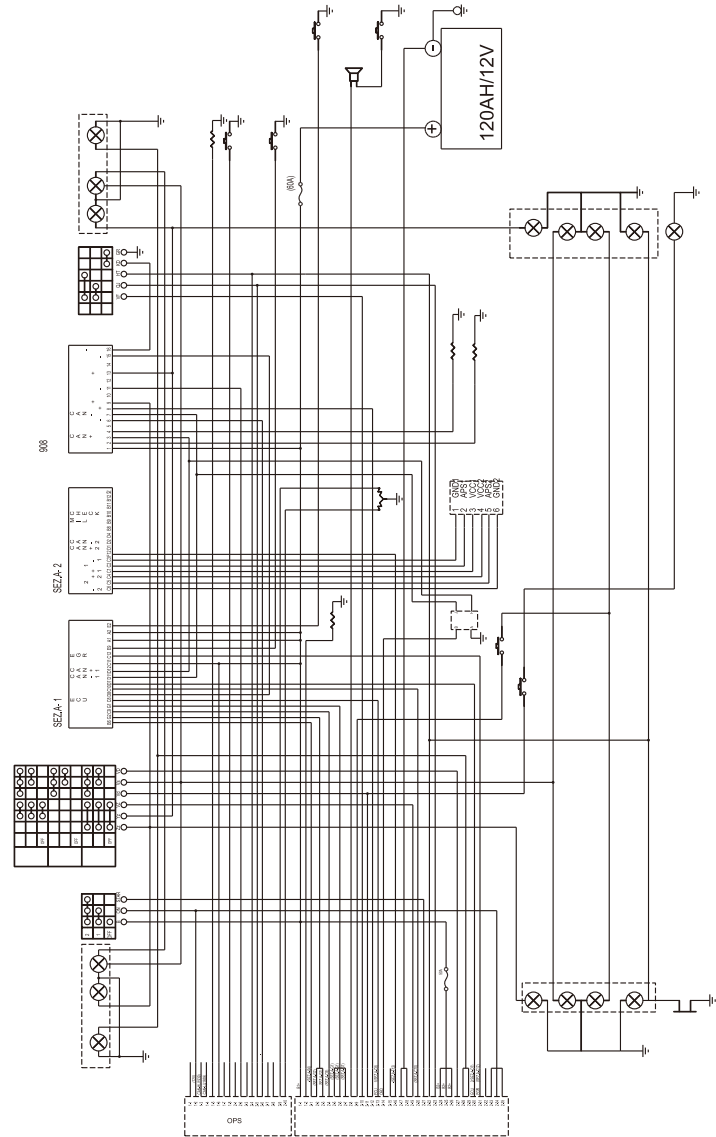
FD30G-D2



Electrical system()

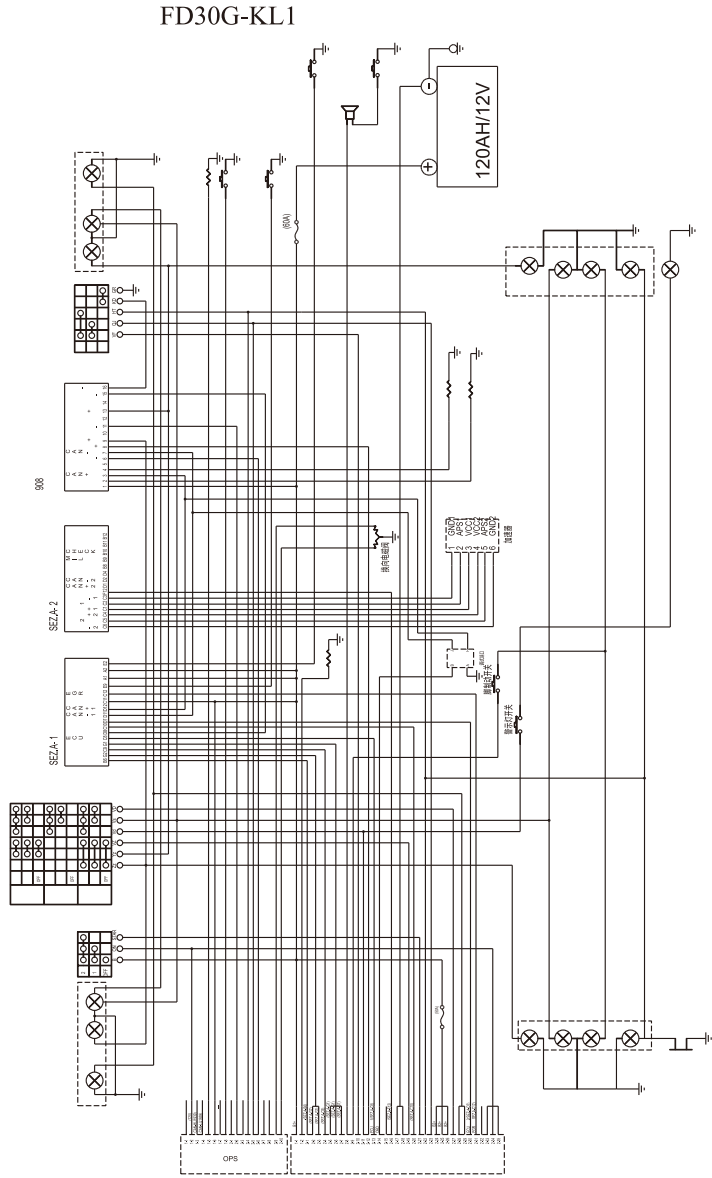
Item	Part No	Description	Q'ty	Remark
1	A30BN2-20100	Battery	1	
2	A30DK2-10100	Panel	1	
3	A30BN2-10200	Panel	1	
4	GB/T 823	M5×12 Screw	10	
5	DT04G-12WD2	Front lamp	2	
6	DT04G-12ZQX	Front lamp	2	
7	DT04G-12XH8	tail lights	1	
8	DT04G-LTD152	Caution light	1	
9	A30DA2-80200	Head guard harness	1	
10	A30DA2-80300	Taillight tieline	1	
11	A30BN2-80200	Cable	1	
12	A30BN2-80300	Cable	1	
13	A30C2-80900	Fuse	1	
14	A30DK2-80100	Vehicle wiring harness	1	
15	180型	Banding belt	15	
16	T20G2-60500	Brake switch	1	
17	A30C2-60500	Back buzzer	1	
18	GB/T 5783	6×20 Bolt	1	
19	GB/T 96.1	6 Washer	2	
20	GB/T 93	6 Washer,lock	1	
21	A30DA2-60200	Key switch	1	
22	A30C2-90100	USB charger hole	1	
23	DT09G-DL124ED	Horn	1	
24	GB/T 5783	M8×20 Bolt	1	
25	GB/T97.1	8 Washer	1	
26	GB/T 93	8 Washer lock	1	
27	A30DA2-60100	Integral switch	1	
28	A30DK2-70200	Combination	1	
29	T20A2-50500	Oil temp sending unit	1	
30	A30DA2-50200	Fuel sensor	1	

FD30G-KL1



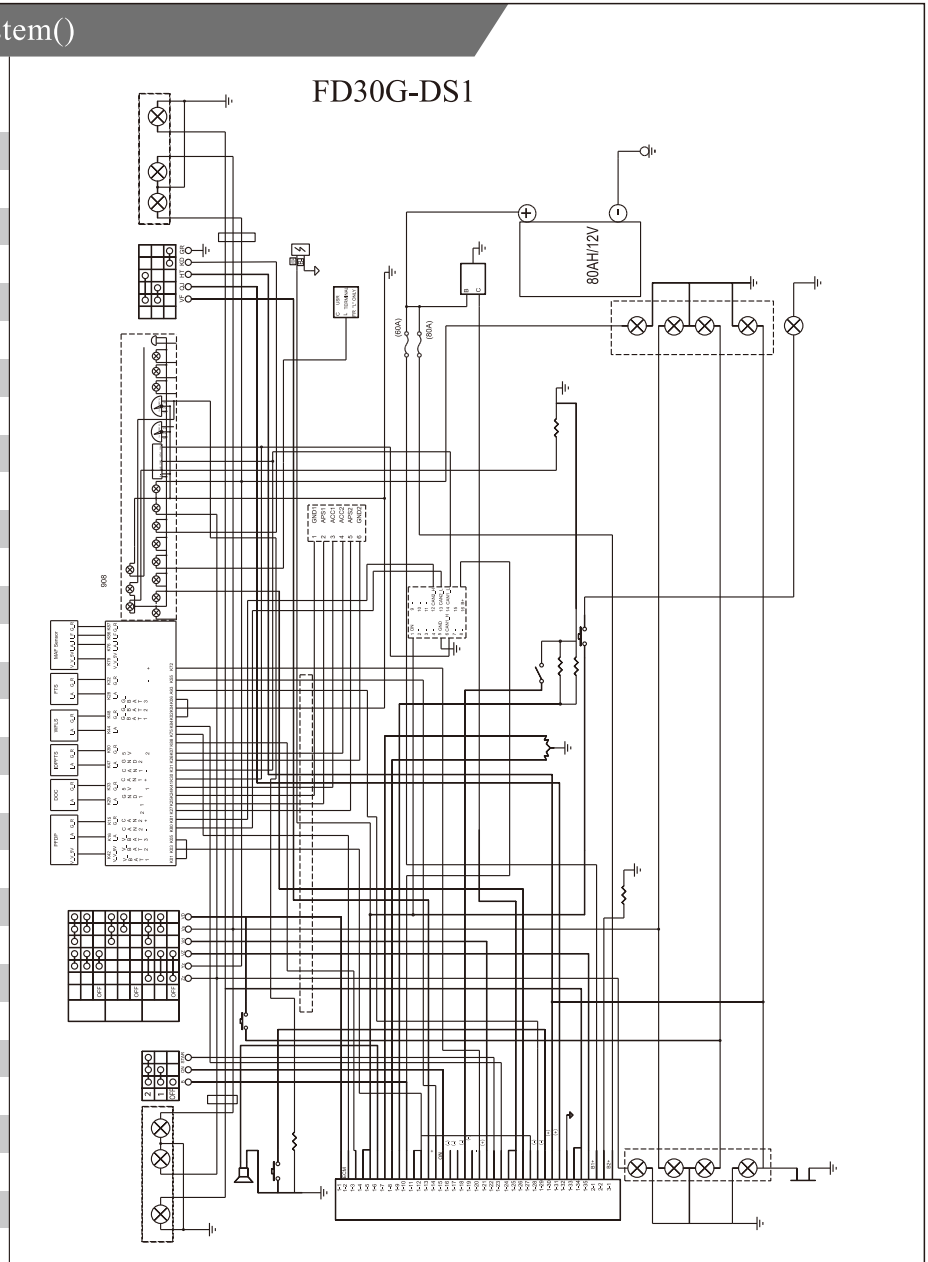
98 Electrical system(4TNE98)

Item	Part No	Description	Q'ty	Remark
31	GB/T 823	M5×12 Screw	5	
32	A30BN2-60100	Accelerator	1	



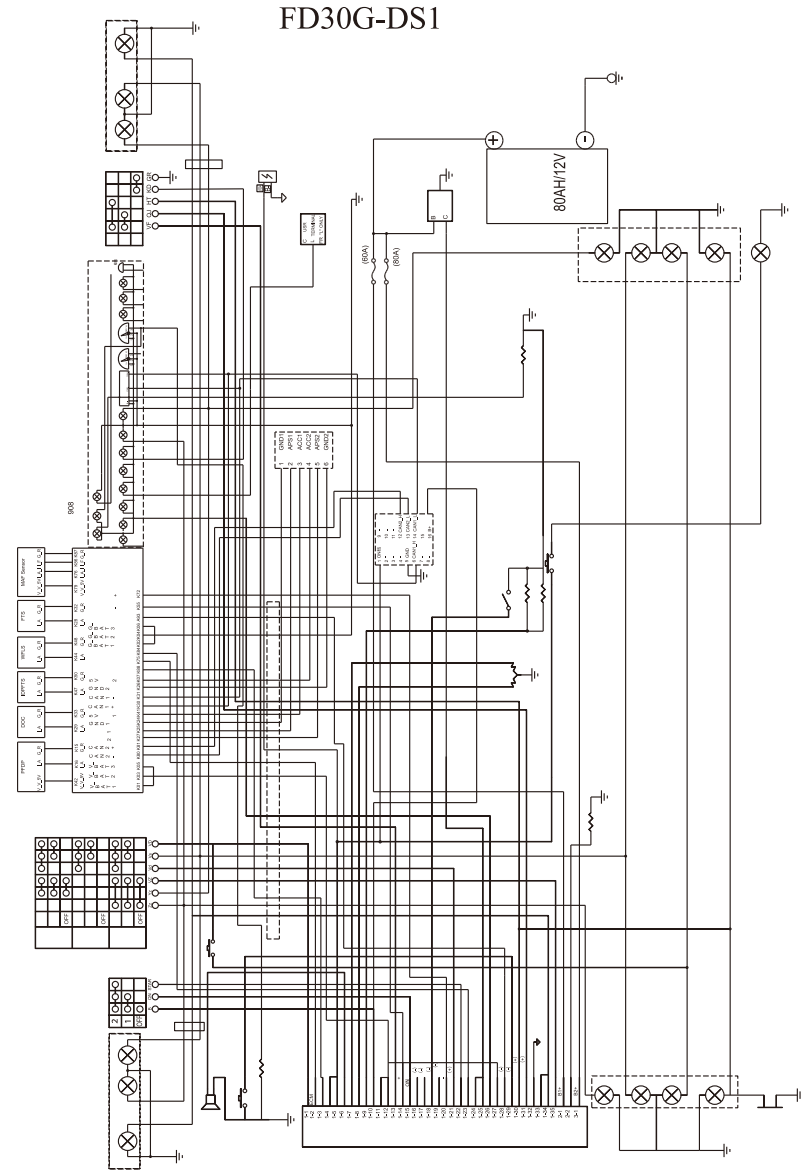
D24 Electrical system()

Item	Part No	Description	Q'ty	Remark
1	A30BN2-20100	Battery	1	
2	A30DL2-10100	Panel	1	
3	GB/T 823	M5×12 Screw	4	
4	A15G2-40200	Front combination lamp	2	
5	DT04G-LTD152	Caution light	1	
6	A30DA2-80200	Head guard harness	2	
7	A30DL2-80200	Cable	1	
8	A30DL2-80300	Cable	1	
9	T20G2-20100	Fuse box	1	
10	A30DL2-80100	Vehicle wiring harness	1	
11	180型	Banding belt	15	
12	T20G2-60500	Brake switch	1	
13	A30C2-60500	Back buzzer	1	
14	GB/T 5783	M6×20 Bolt	1	
15	GB/T 96.1	6 Washer	2	
16	GB/T 93	6 Washer,lock	1	
17	GB/T 6170	M6 Nut	1	
18	DT09G-DL124ED	Horn	1	
19	GB/T 5783	M8×20 Bolt	1	
20	GB/T97.1	8 Washer	1	
21	GB/T 93	8 Washer,lock	1	
22	A30DA2-60100	Integral switch	1	
23	A30DL2-70100	Combination	1	
24	GB/T 5783	M6×35 Bolt	4	
25	GB/T 96.1	6 Washer	4	
26	A30A6-00008	Bushing	4	
27	DZ03G-R1/2SY	Oil temp sending unit	1	
28	A30DA2-50200	Fuel sensor	1	
29	GB/T 823	M5×12 Screw	5	
30	A30DA2-60200	Key switch	1	



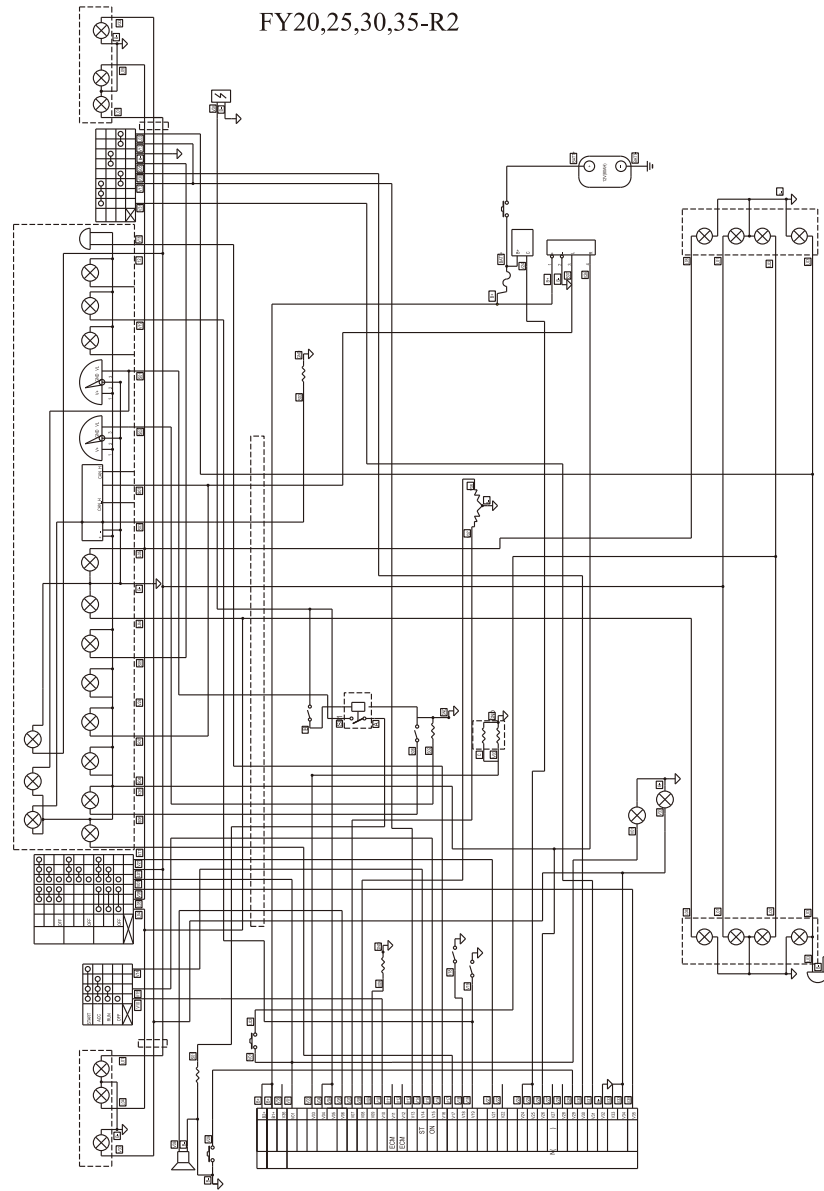
D24 Electrical system()

Item	Part No	Description	Q'ty	Remark
31	A30C2-90100	USB charger hole	1	
32	A30AB2-60100	Accelerator	1	



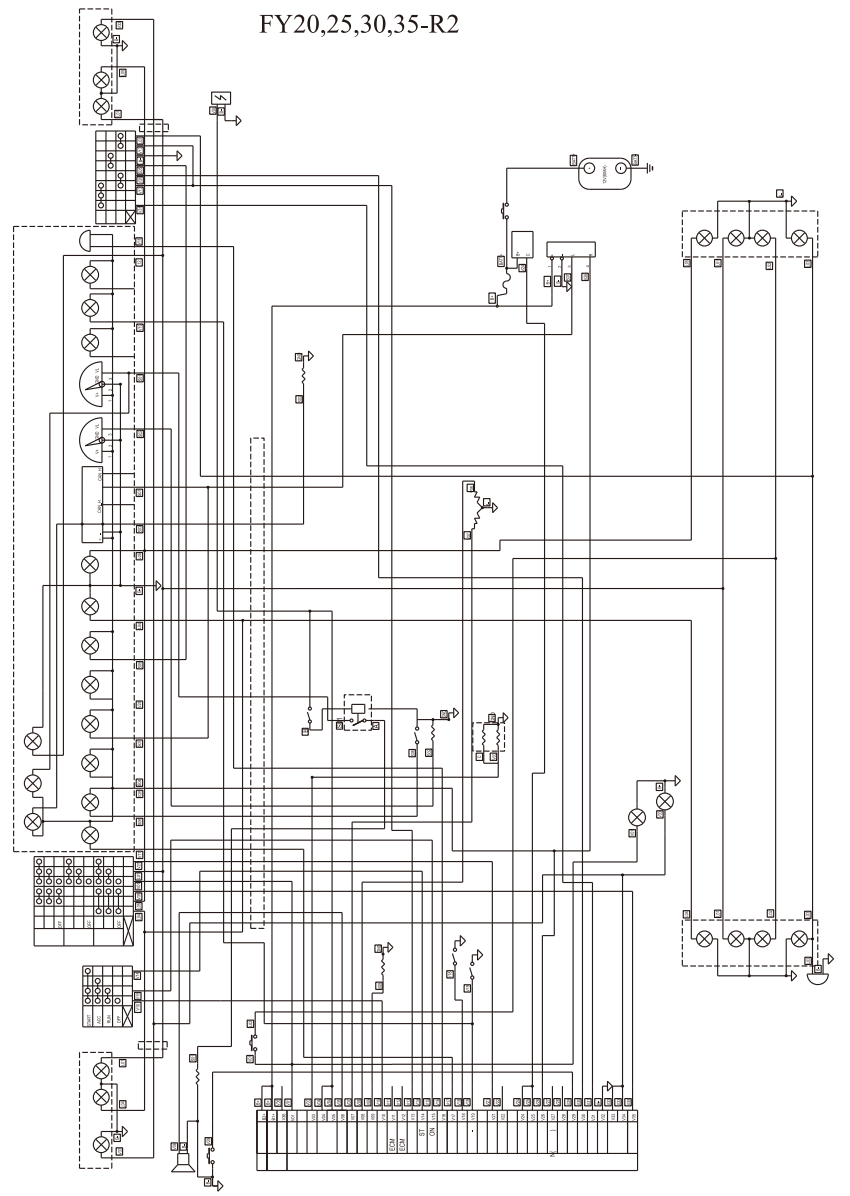
K25 Electric system(Nissan K25)

Item	Part No	Description	Q'ty	Remark
1	A30C2-20002	Battery	1	
2	A30DA2-80400	Cable	1	
3	A45I2-80900	Cable	1	
4	T20G2-20100	Fuse box	1	
5	A30DA2-50200	Fuel sensor	1	
6	A15G2-40200	Front combination lamp	2	
7	A30DA2-80300	Rear lamp patchcord	1	
8	A30DA2-80200	Head guard harness	1	
9	A30DA2-70100	Combination	1	
10	A30DA2-60100	Integral switch	1	
11	DT09G-DL124ED	Horn	1	
12	GB/T 5783	M8×20 Bolt	1	
13	GB/T97.1	8 Washer	1	
14	GB/T 93	8 Washer,lock	1	
15	T20B2-10100	Panel	1	
16	GB/T 823	M5×12 Screw	4	
17	A35K2-40200	Rear combination lamp	2	
18	A30C2-60500	Back buzzer	1	
19	GB/T 5783	M6×20 Bolt	1	
20	GB/T 96.1	6 Bolt	2	
21	GB/T 93	6 Washer,lock	1	
22	GB/T 6170	M6 Nut	1	
23	DT04G-LTD152	Caution light	1	
24	T20G2-60500	Brake switch	1	
25	A30DC2-80500	Vehicle harness	1	
26	180型	Strapping	15	
27	T20A2-50500	Oil temp sending unit	1	
28	DZ03G-R1/2SY	Water temp sending unit	1	
29	A30DA2-60200	Key switch	1	
30	A30C2-90100	USB charger hole	1	



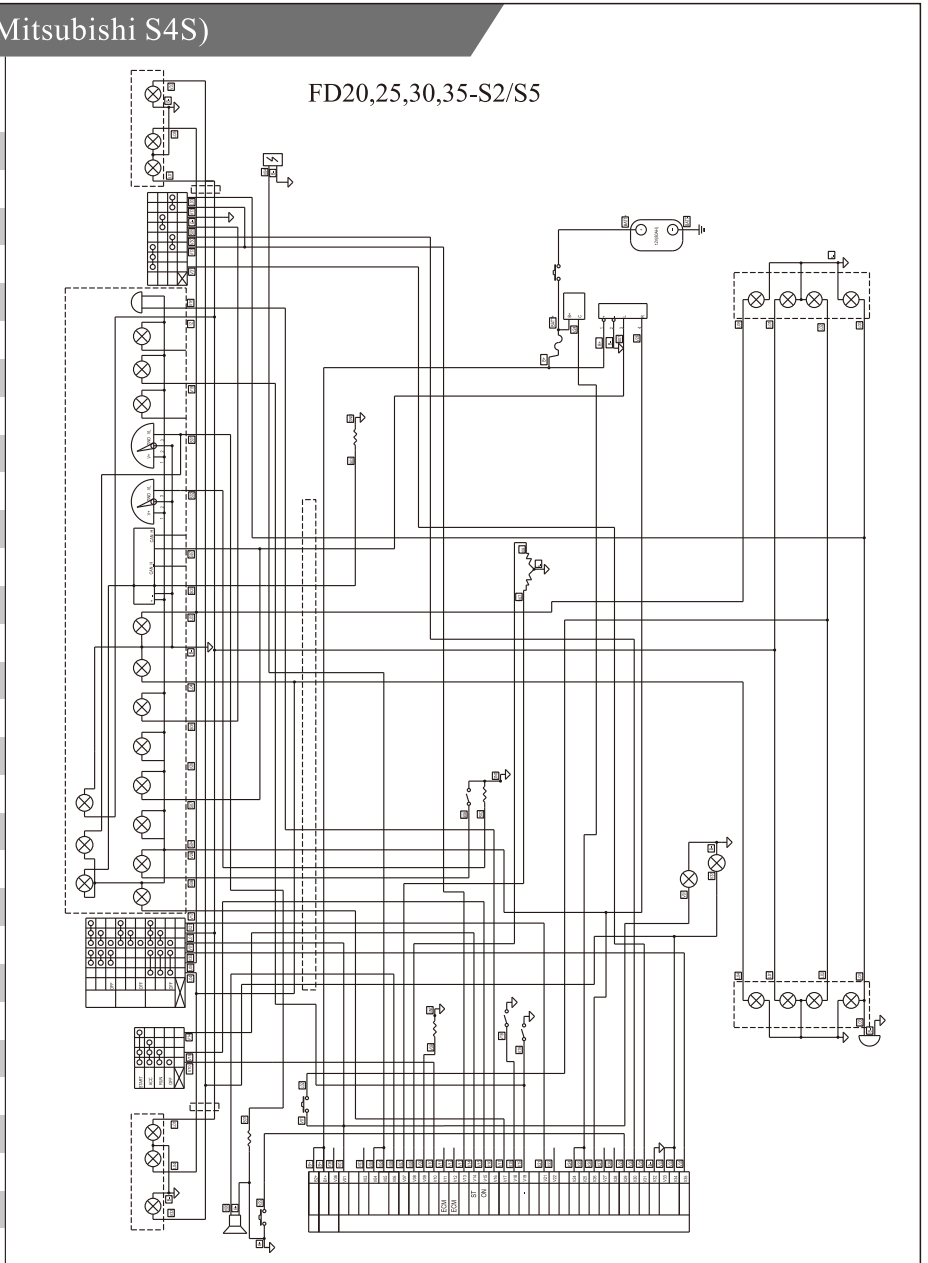
Electric system(Nissan K25)

Item	Part No	Description	Q'ty	Remark
31	A30C2-40200	Head lamp ass'y	1	
32	A70S2-00900	Emergency power switch	1	
33	A30DA2-80600	Cable	1	
34	A30DC2-60100	Fuel selector switch	1	
35	T20G2-80304	Five core relay	1	



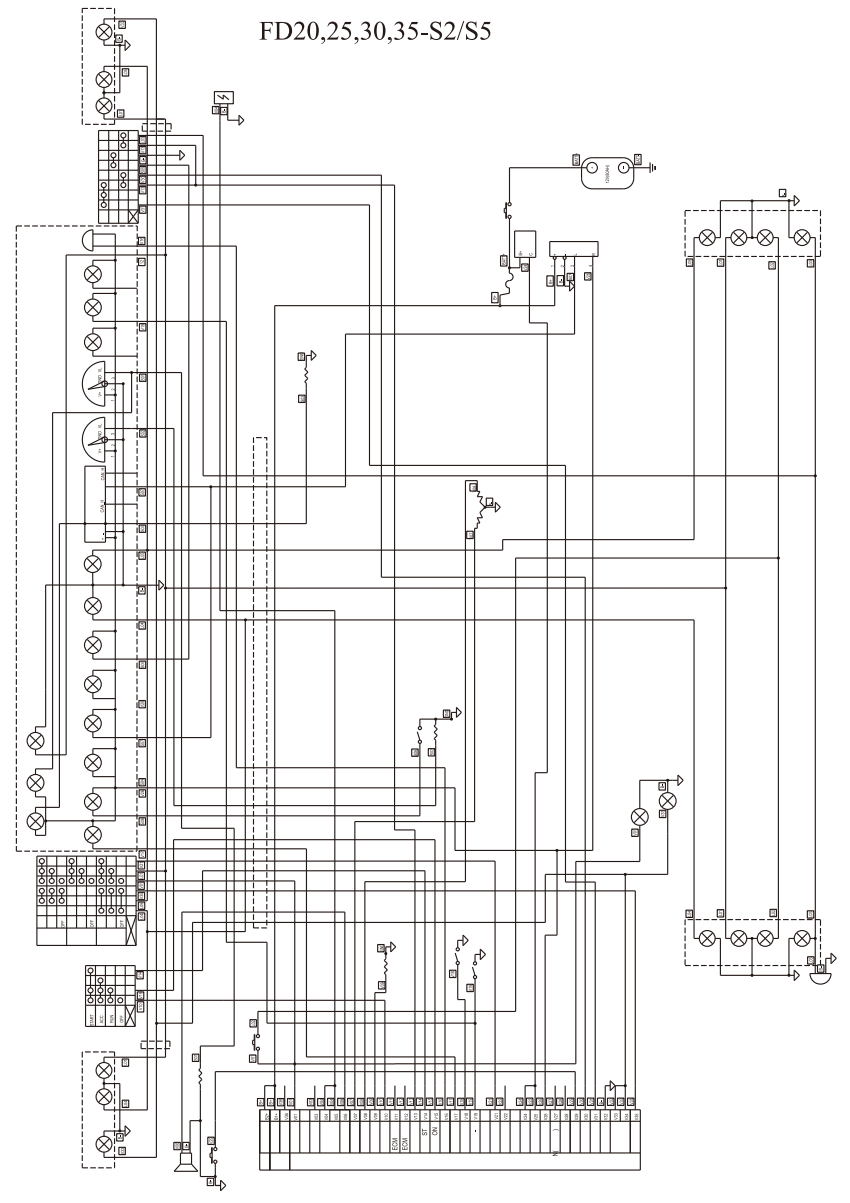
Electric system(Mitsubishi S4S)

Item	Part No	Description	Q'ty	Remark
1	A30C2-20002	Battery	1	
2	T20I2-80200	Cable	1	
3	A45I2-80900	Cable	1	
4	T20G2-20100	Fuse box	1	
5	A30DA2-50200	Fuel sensor	1	
6	A15G2-40200	Front combination lamp	2	
7	A30DA2-80300	Rear lamp patchcord	1	
8	A30DA2-80200	Head guard harness	1	
9	A30DA2-70100	Combination	1	
10	A30DA2-60100	Integral switch	1	
11	DT09G-DL124ED	Horn	1	
12	GB/T 5783	M8×20 Bolt	1	
13	GB/T97.1	8 Washer	1	
14	GB/T 93	8 Washer,lock	1	
15	T20B2-10100	Panel	1	
16	GB/T 823	M5×12 Screw	4	
17	A35K2-40200	Rear combination lamp	2	
18	A30C2-60500	Back buzzer	1	
19	GB/T 5783	M6×20 Bolt	1	
20	GB/T 96.1	6 Bolt	2	
21	GB/T 93	6 Washer,lock	1	
22	GB/T 6170	M6 Nut	1	
23	DT04G-LTD152	Caution light	1	
24	T20G2-60500	Brake switch	1	
25	A30DF2-80100	Vehicle harness	1	
26	180型	Strapping	15	
27	T20A2-50500	Oil temp sending unit	1	
28	DZ03G-R1/2SY	Water temp sending unit	1	
29	A30DA2-60200	Key switch	1	
30	A30C2-90100	USB charger hole	1	



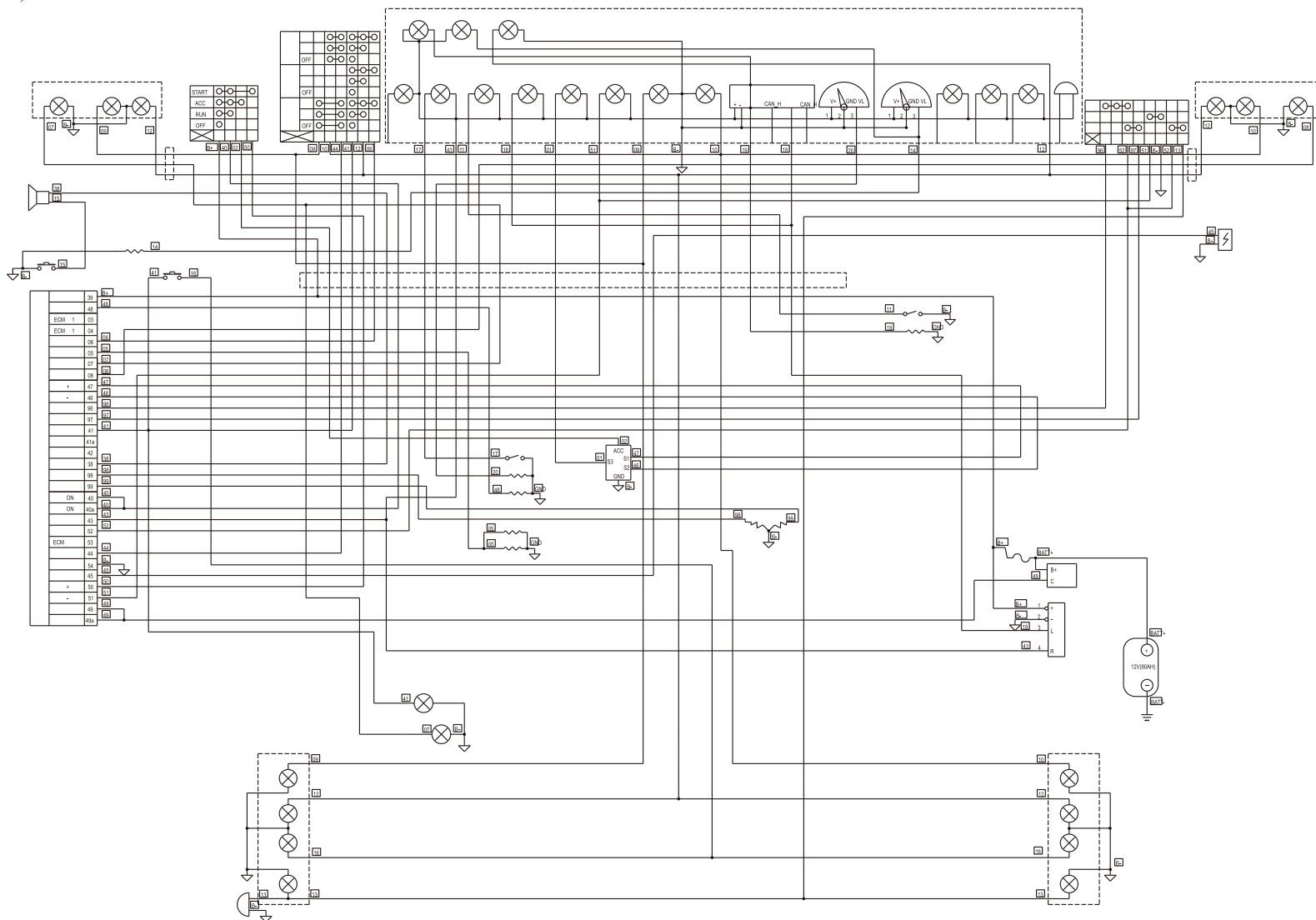
Electric system(Mitsubishi S4S)

Item	Part No	Description	Q'ty	Remark
31	A30C2-40200	Head lamp ass'y	1	
32	A70S2-00900	Emergency power switch	1	
33	A30DA2-80600	Cable	1	



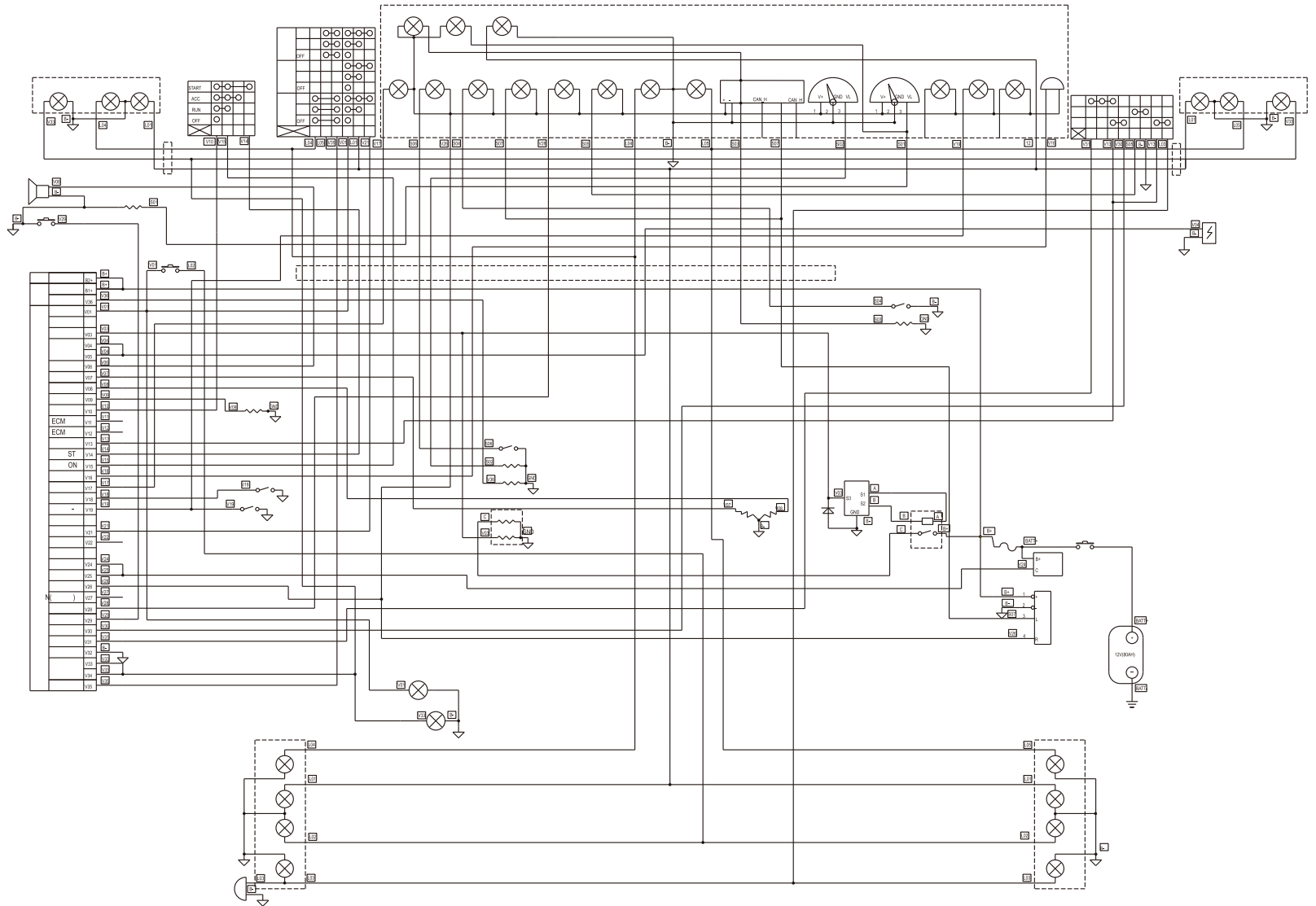
Electrical schematic diagram(4TNE98)

FD30,35-Y3

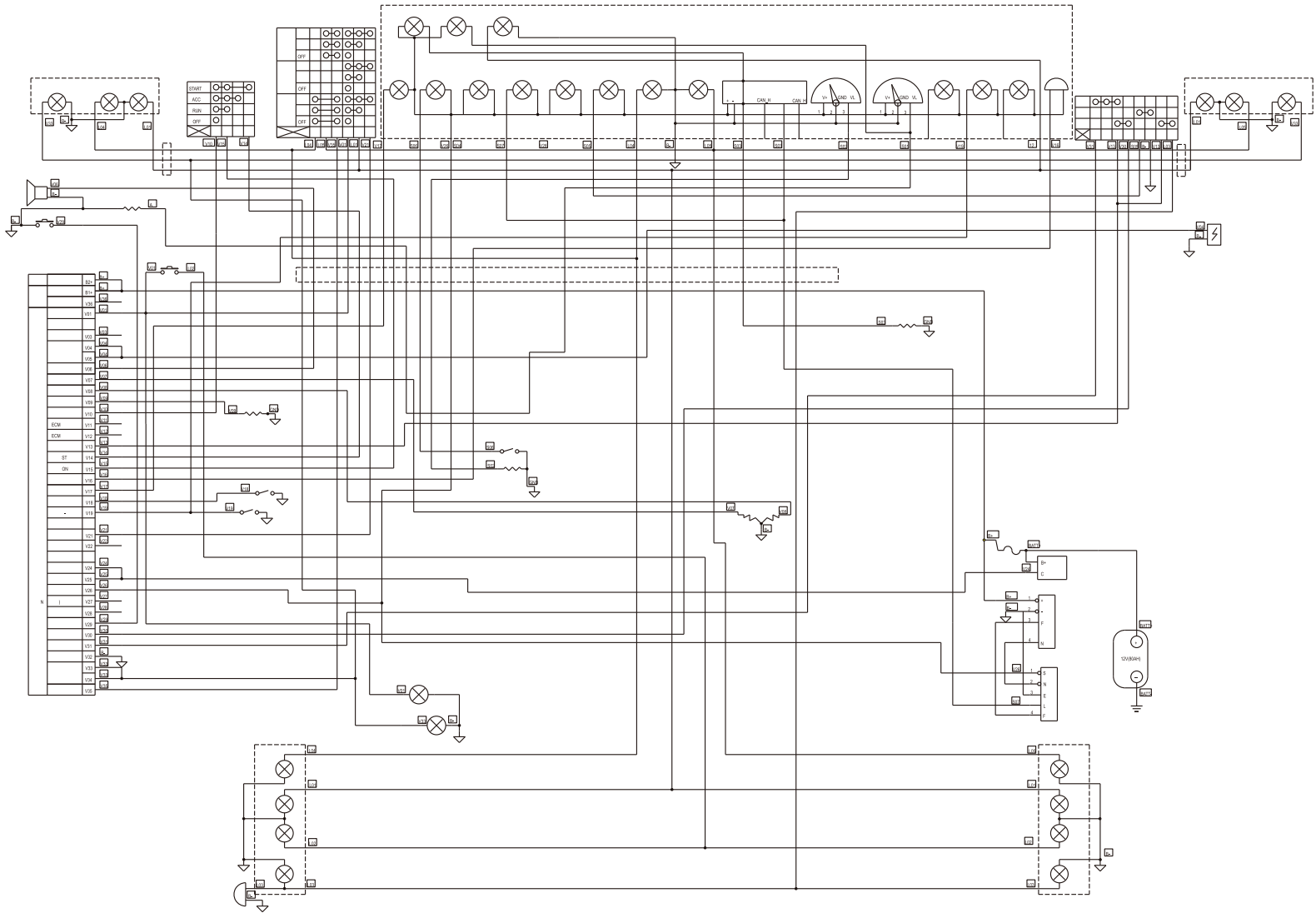


Electrical schematic diagram(4TNE94)

FD30,35-Y2

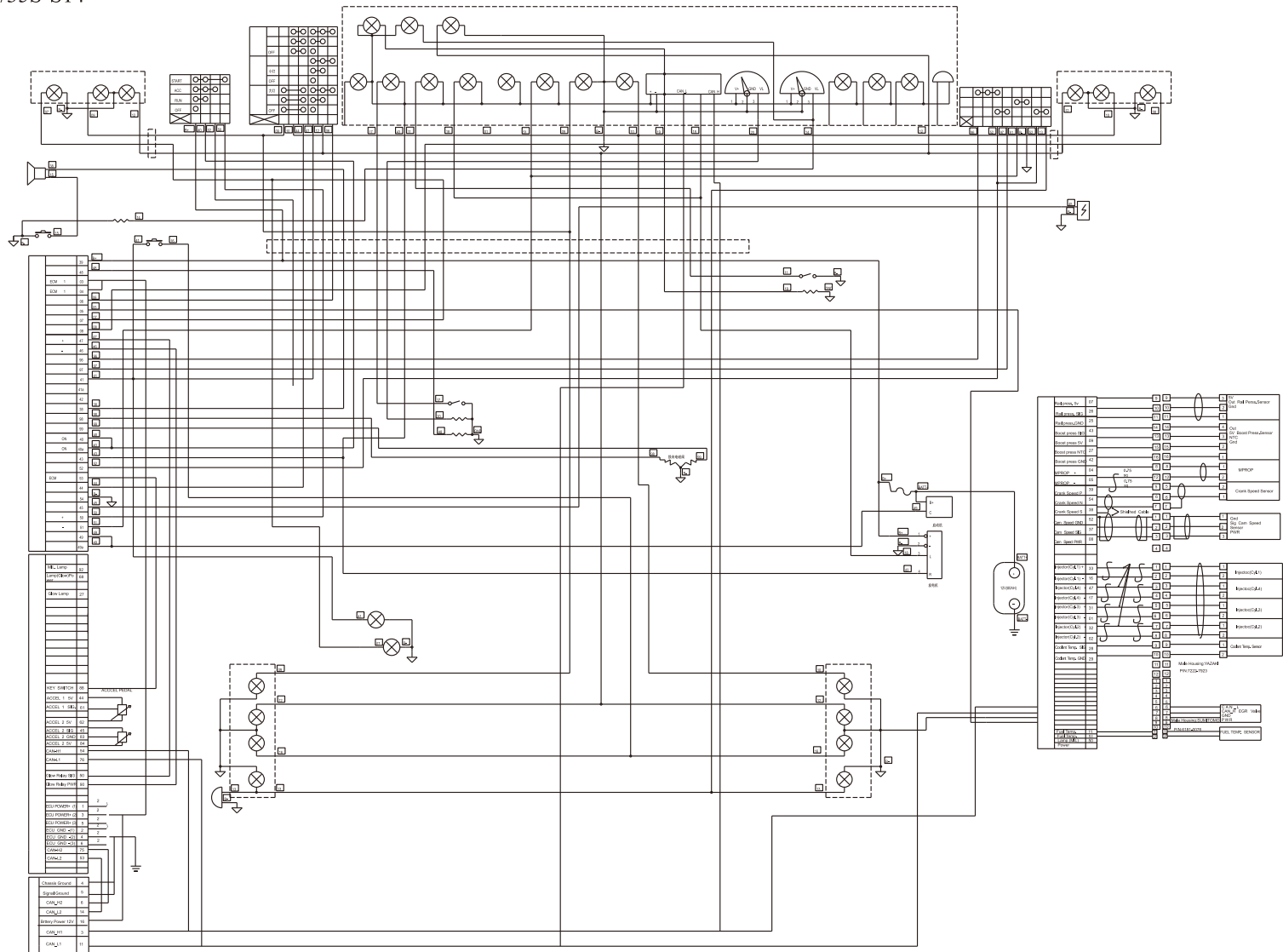


Electrical schematic diagram()



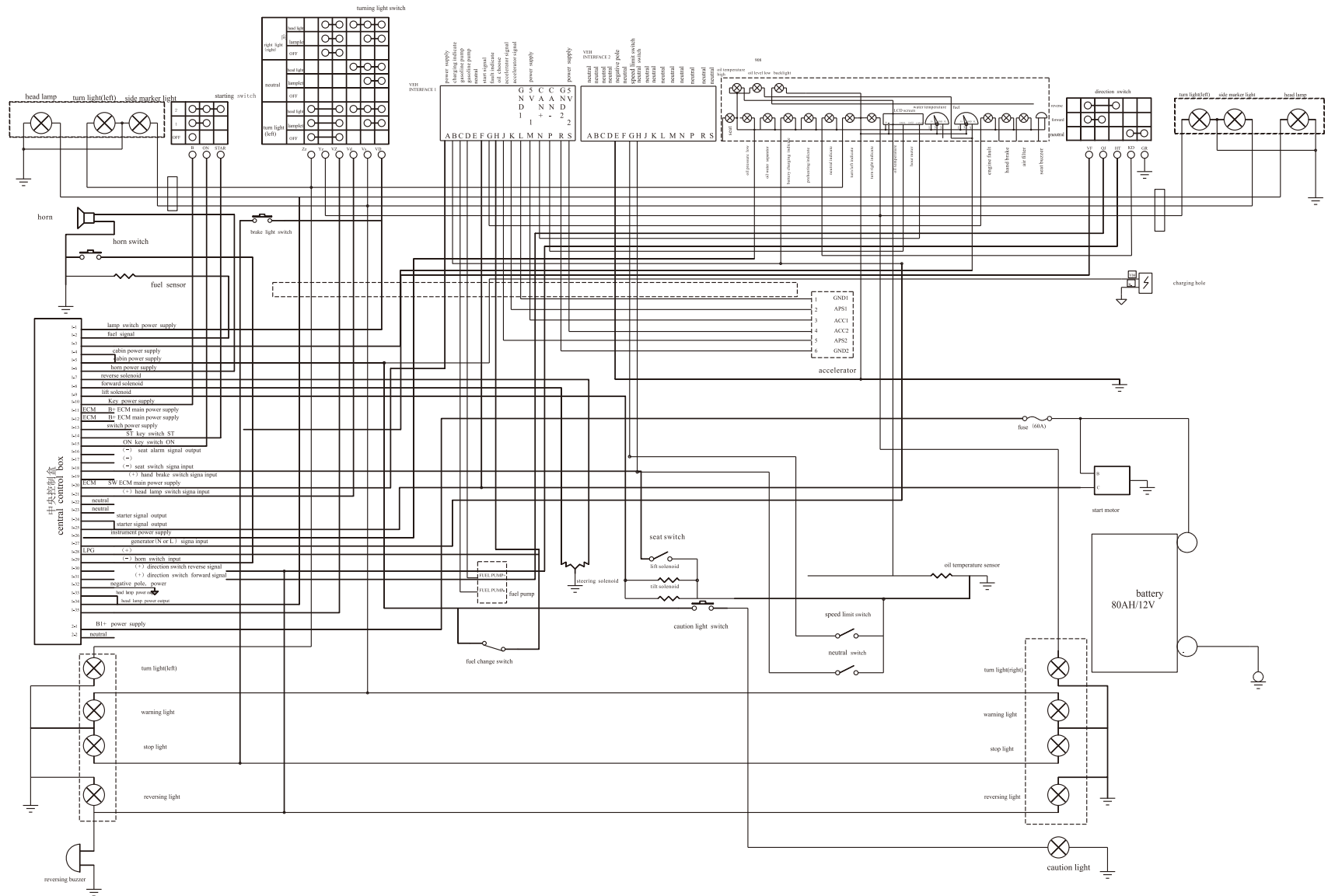
Electrical schematic diagram(Mitsubishi D04EG)

FD30/35S-S14



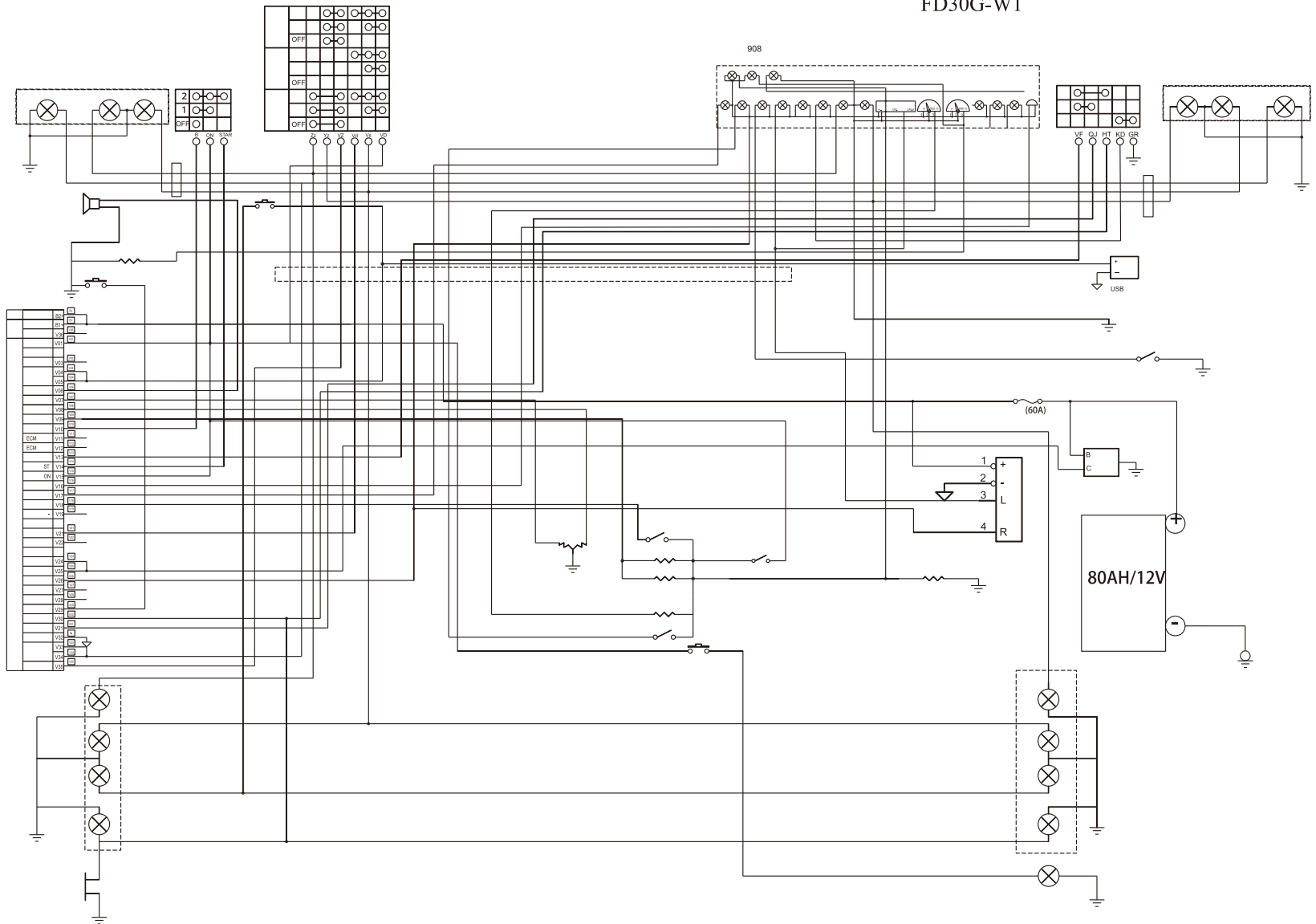
Electrical schematic diagram

FY30/35S



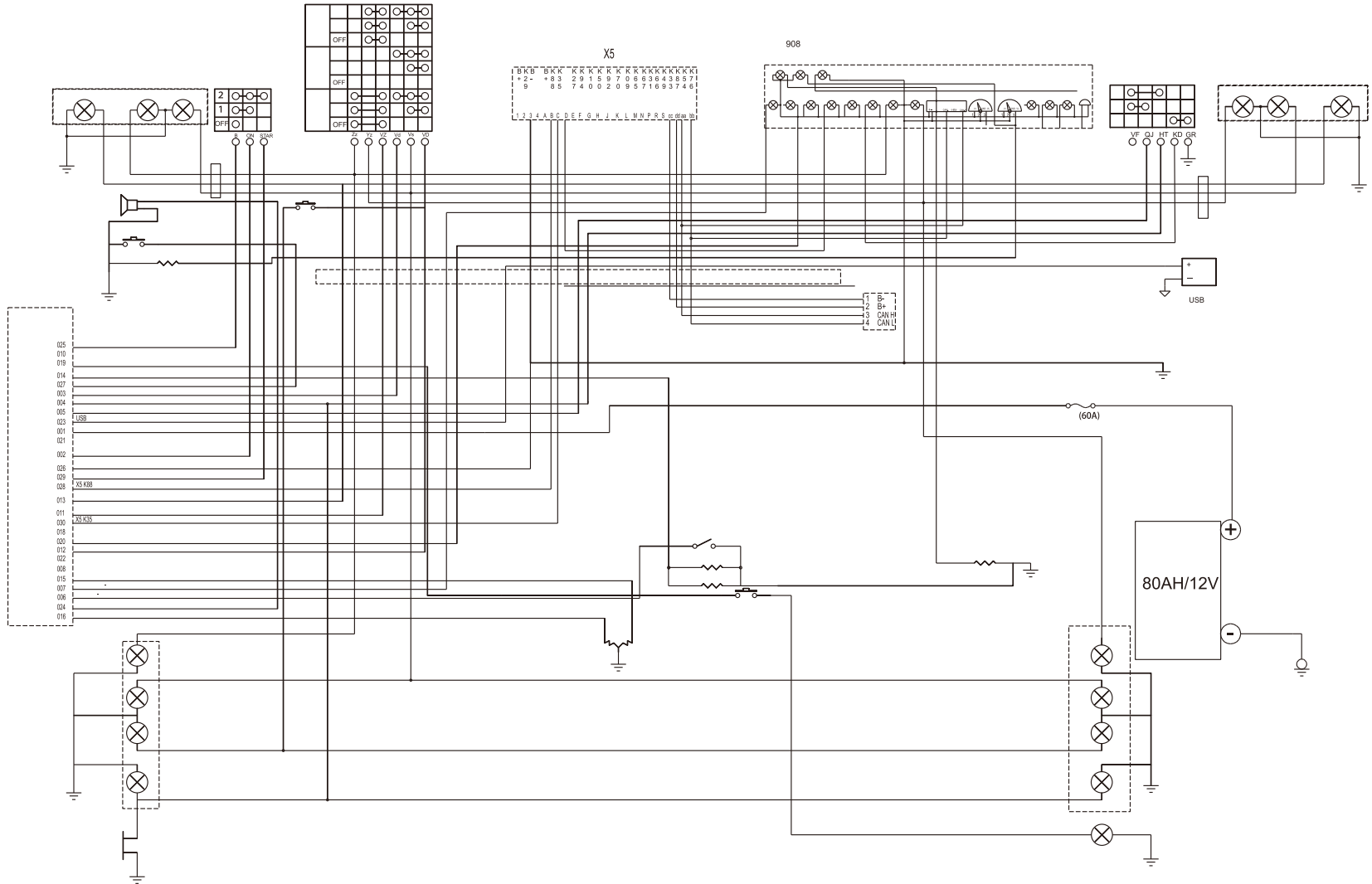
Electrical schematic diagram()

FD30G-W1



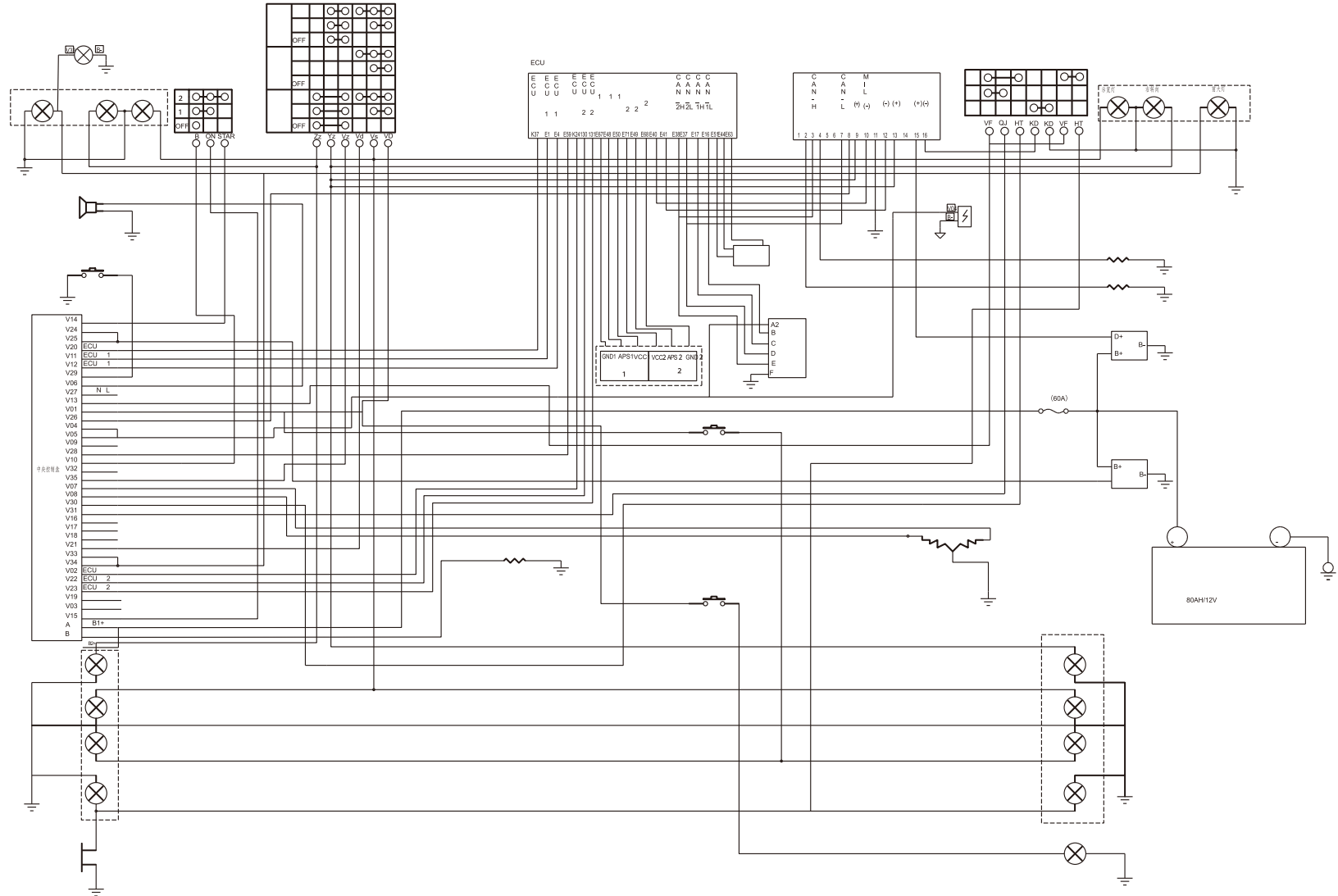
Electrical schematic diagram()

FD30G-H3



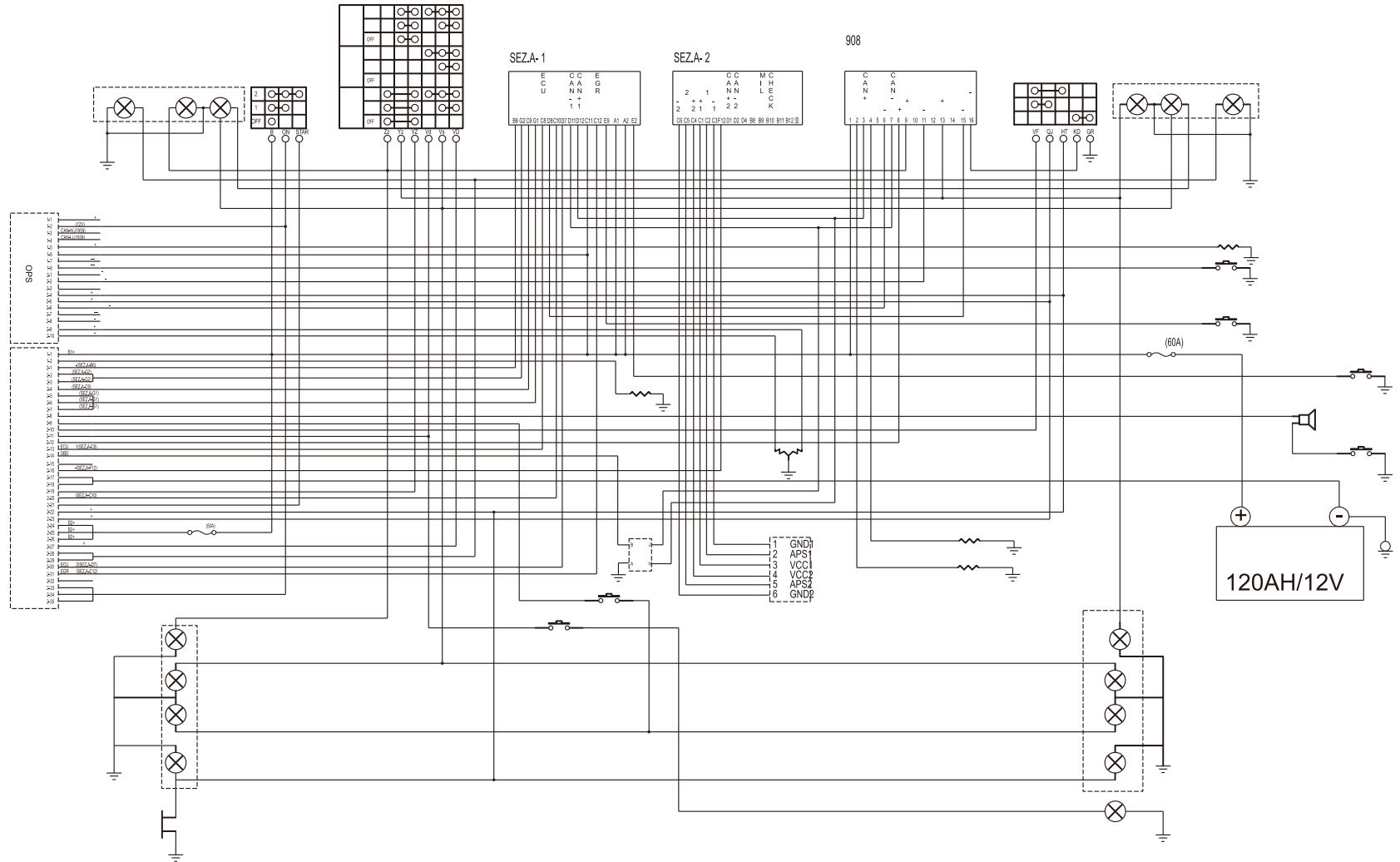
Electrical schematic diagram()

FD30G-D2



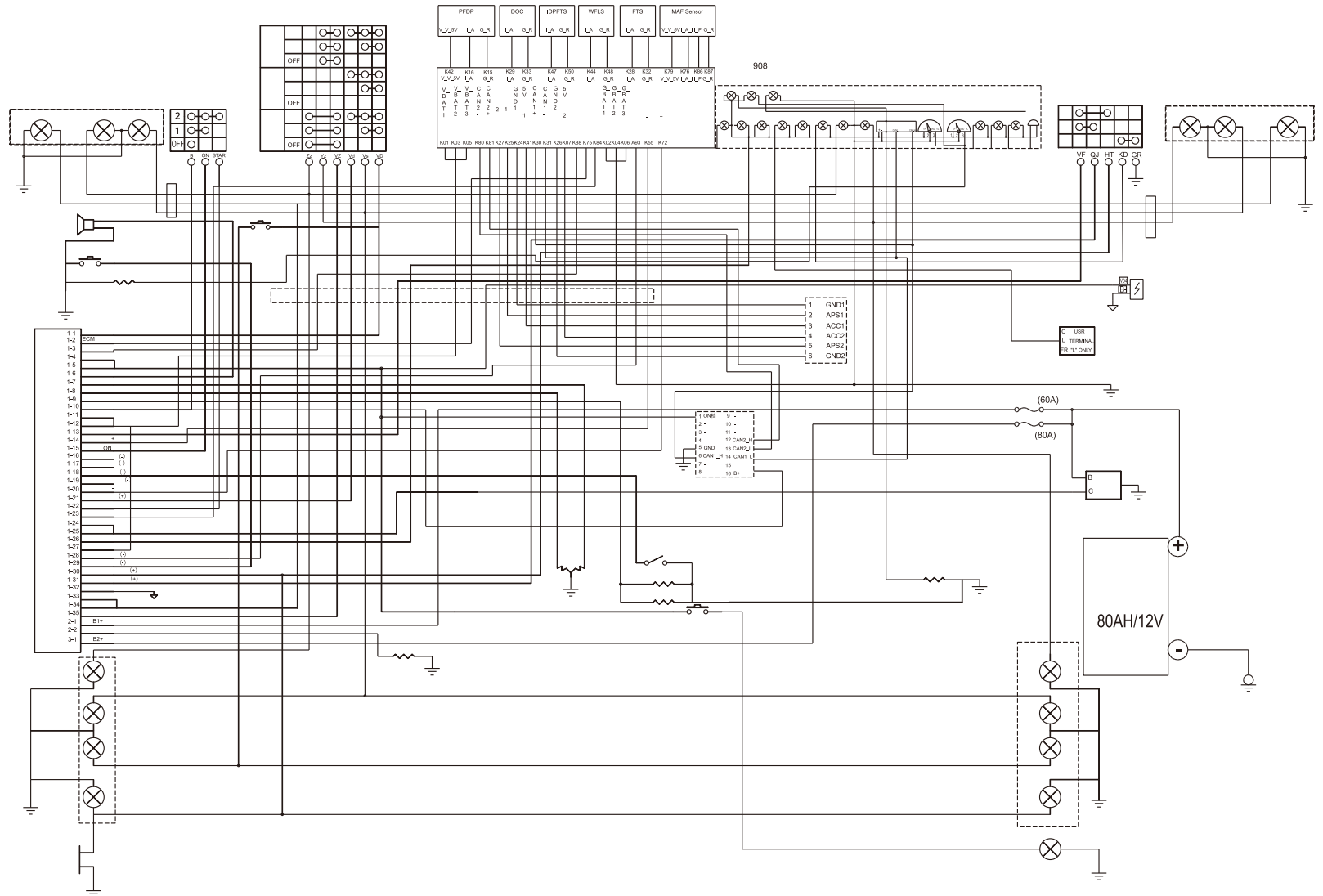
Electrical schematic diagram()

FD30G-KL1



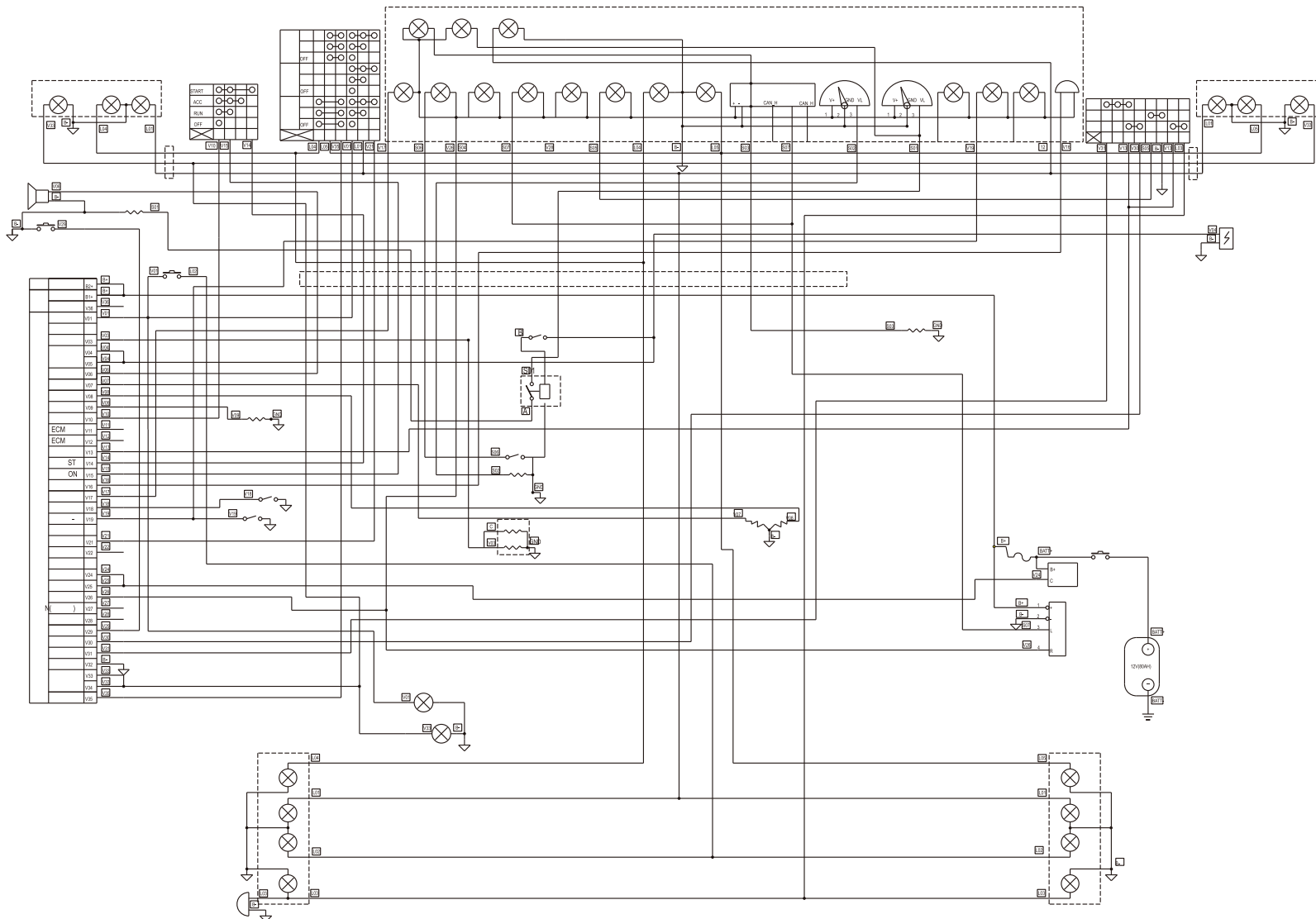
Electrical schematic diagram()

FD30G-DS1



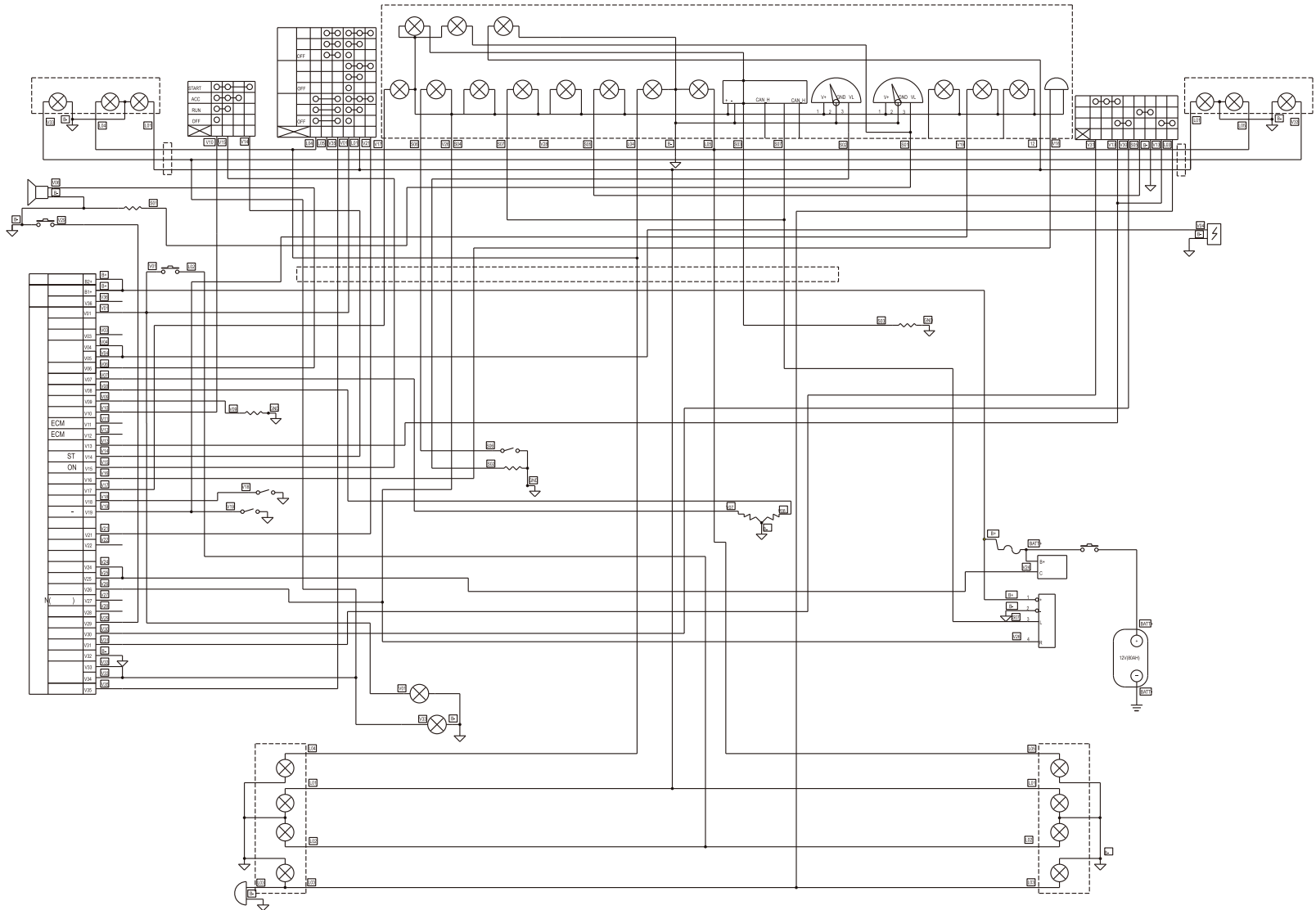
K25 Electrical schematic diagram(Nissan K25)

FY20,25,30,35-R2



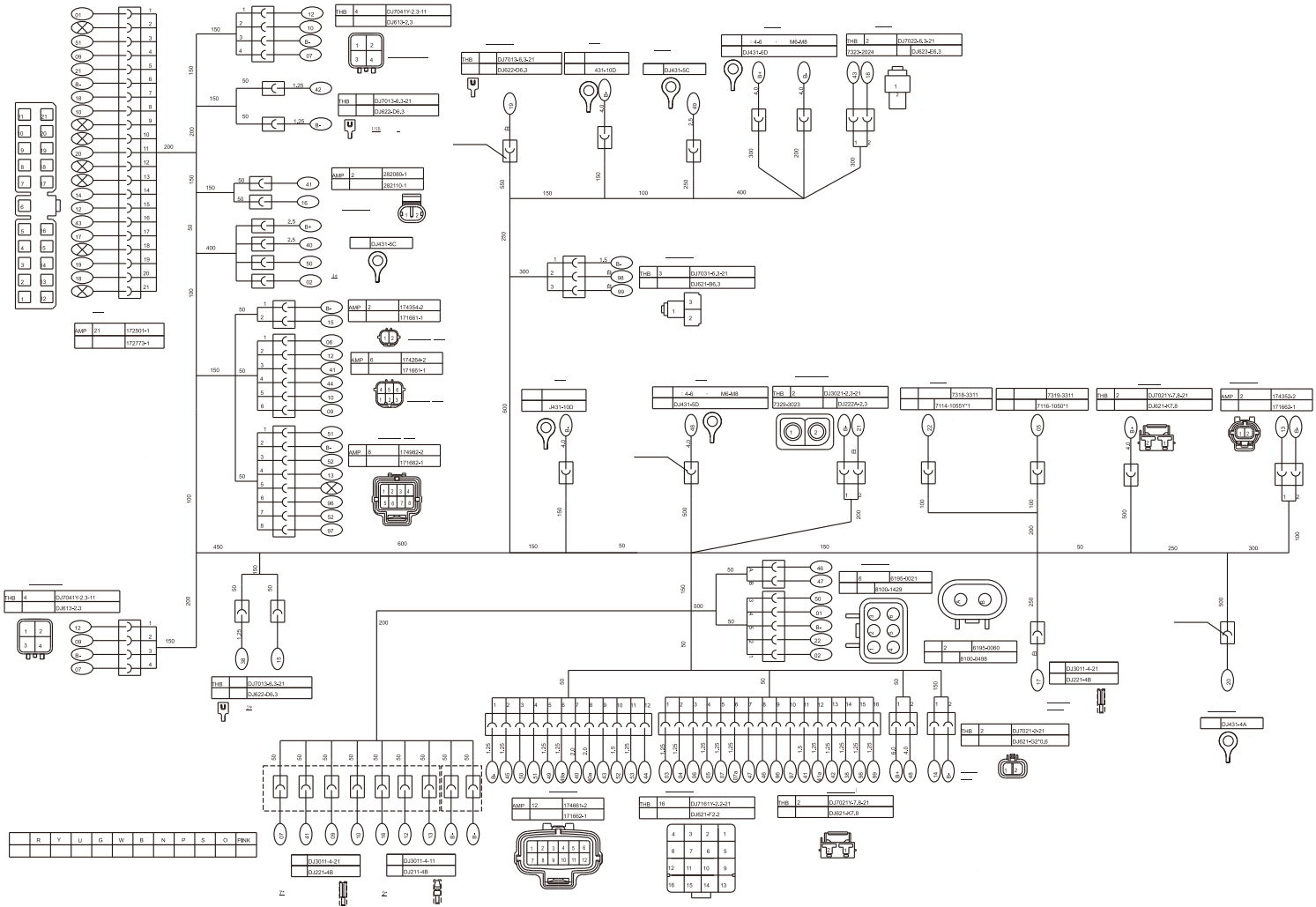
Electrical schematic diagram(Mitsubishi S4S)

FD20,25,30,35-S2/S5

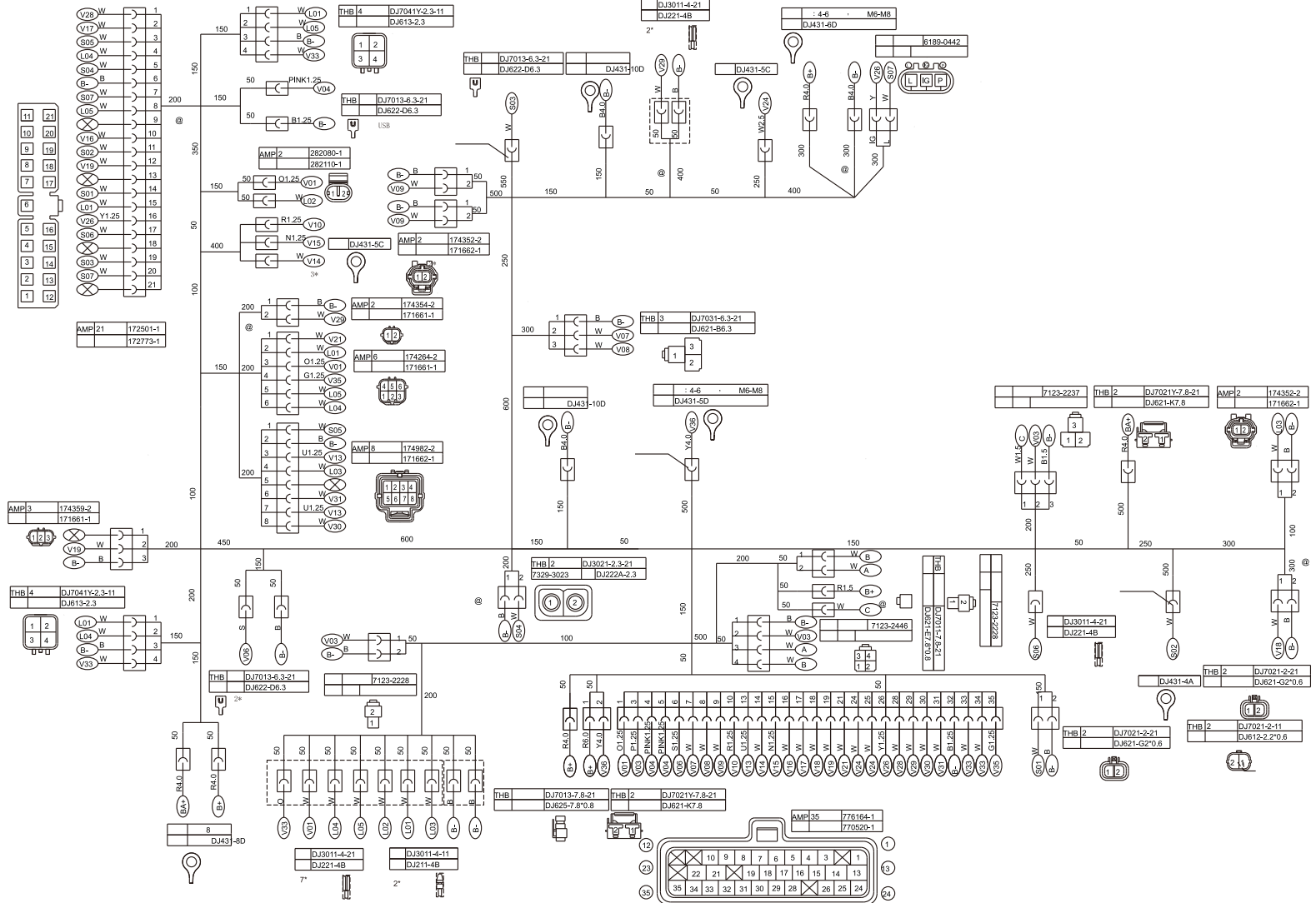


Vehicle harness(4TNE98)

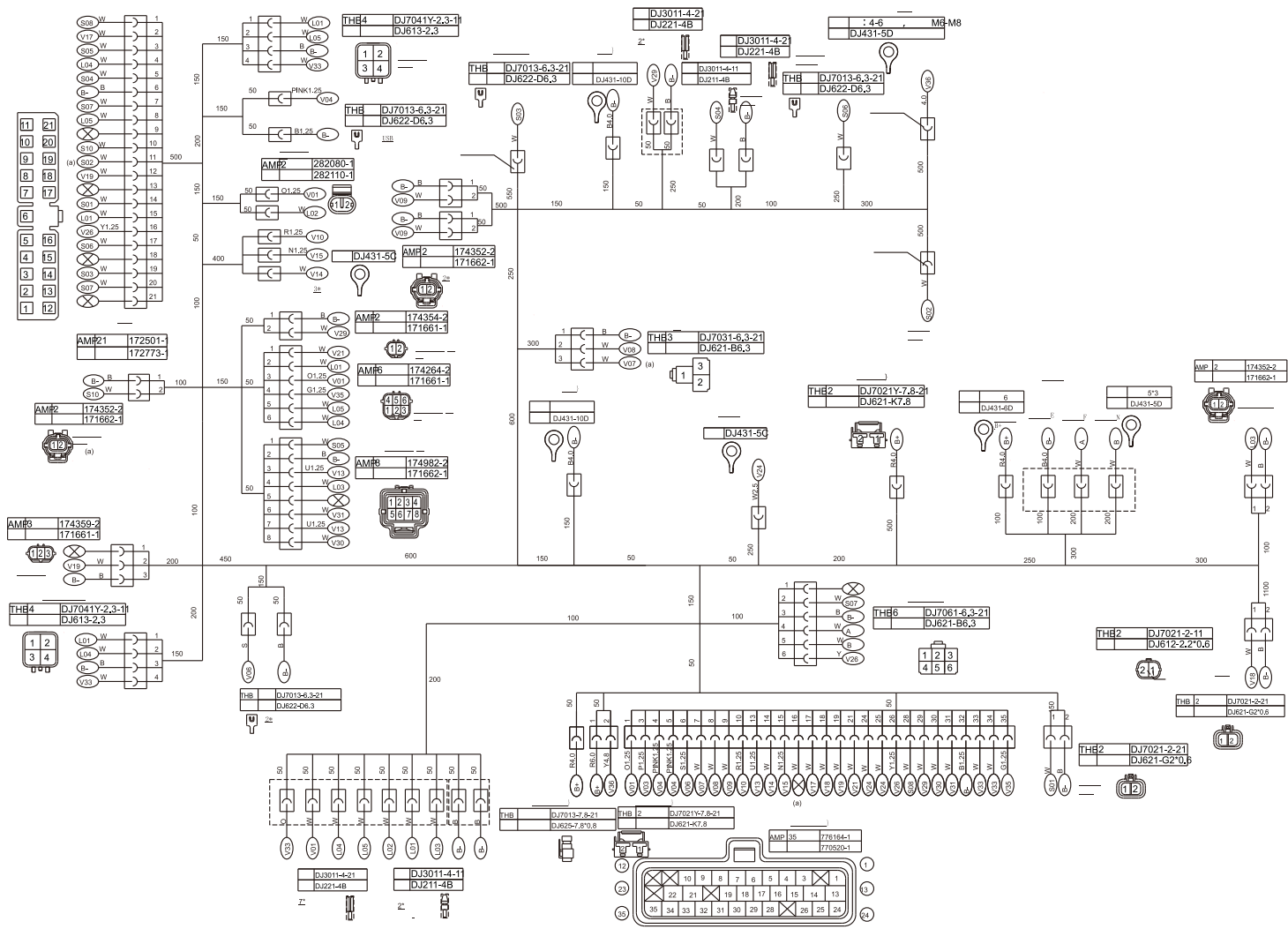
FD30,35-Y3



FD30,35-Y2

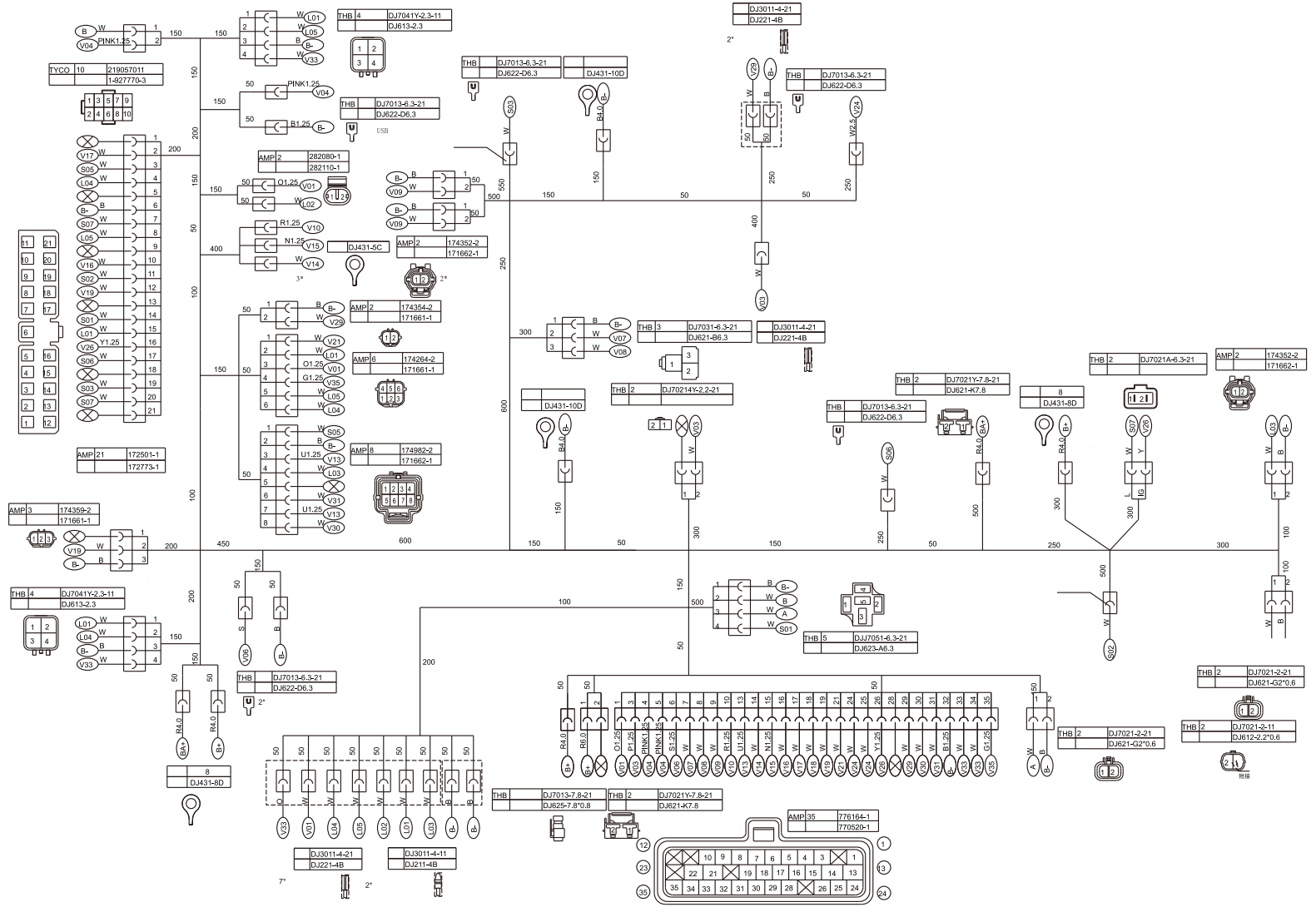


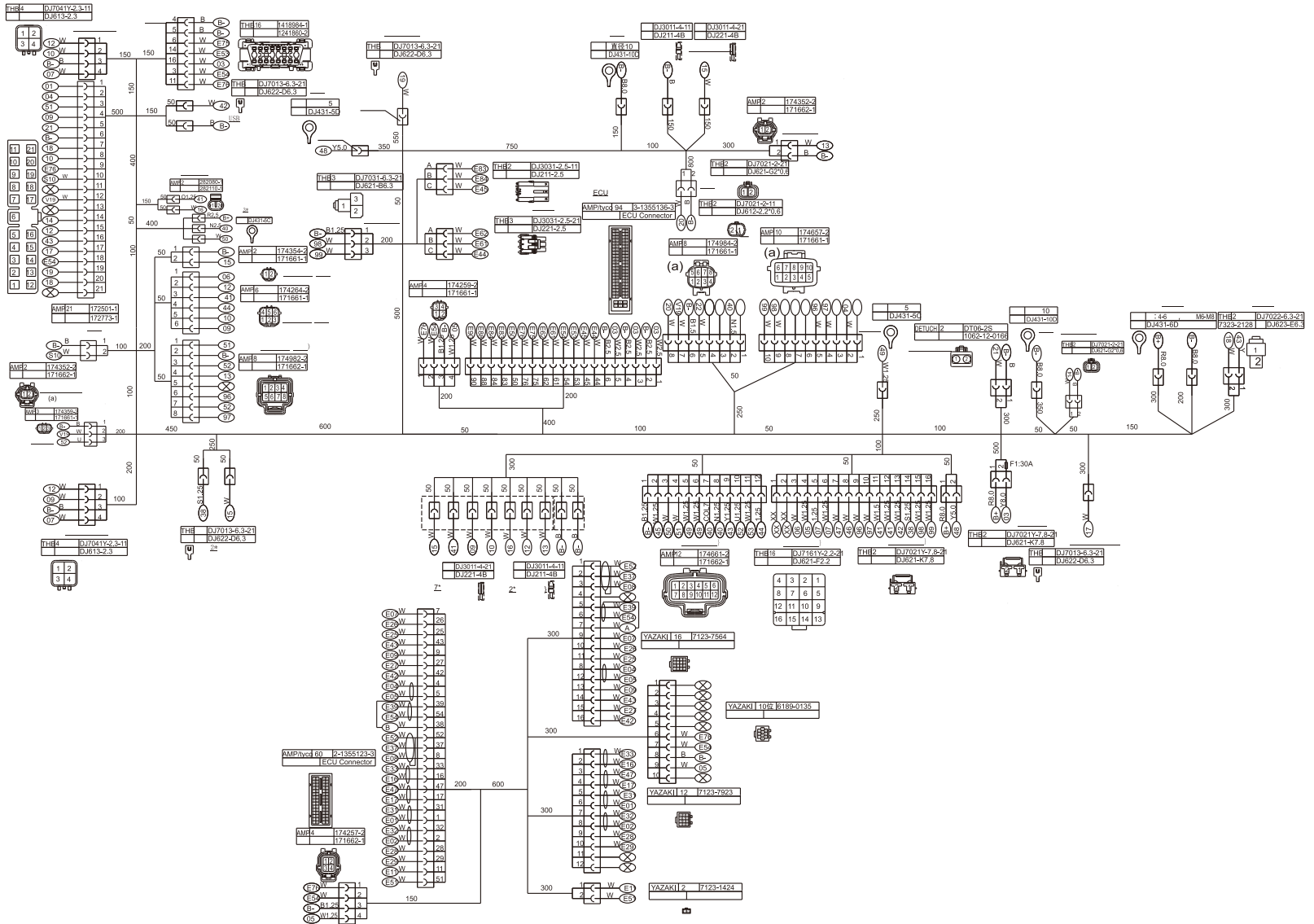
Vehicle harness()



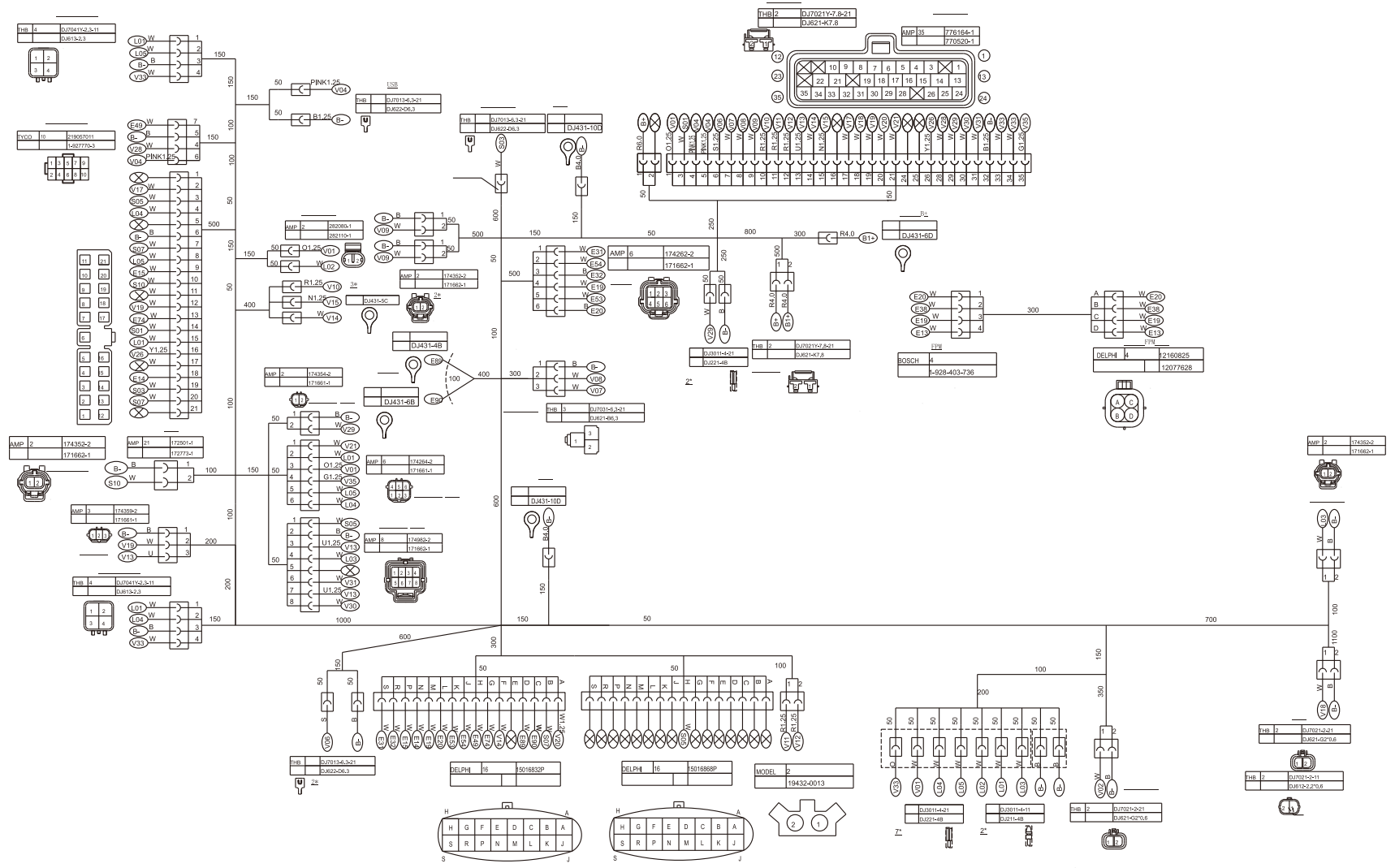
Vehicle harness(Nissan K25)

FY20,25,30,35-R2



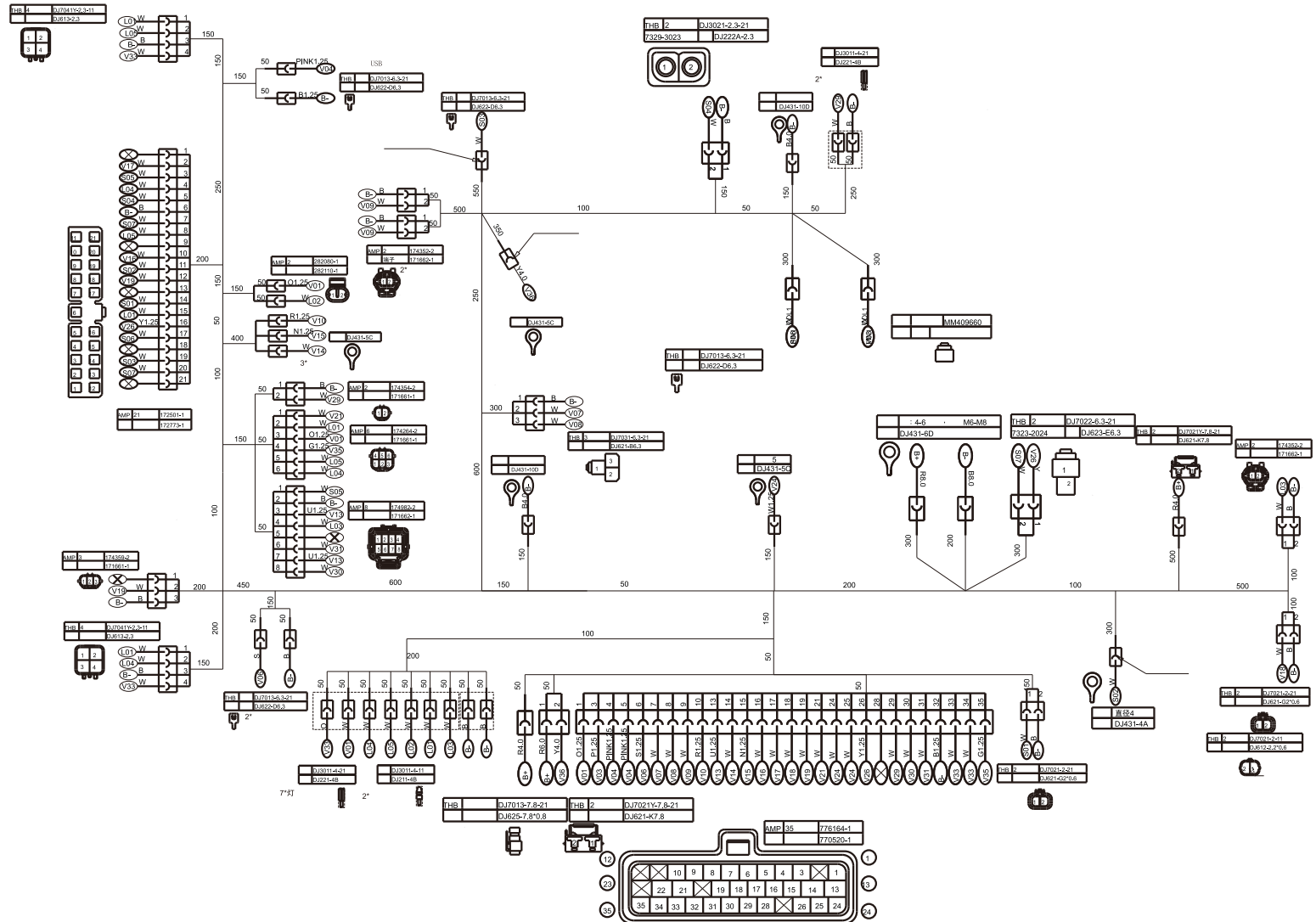


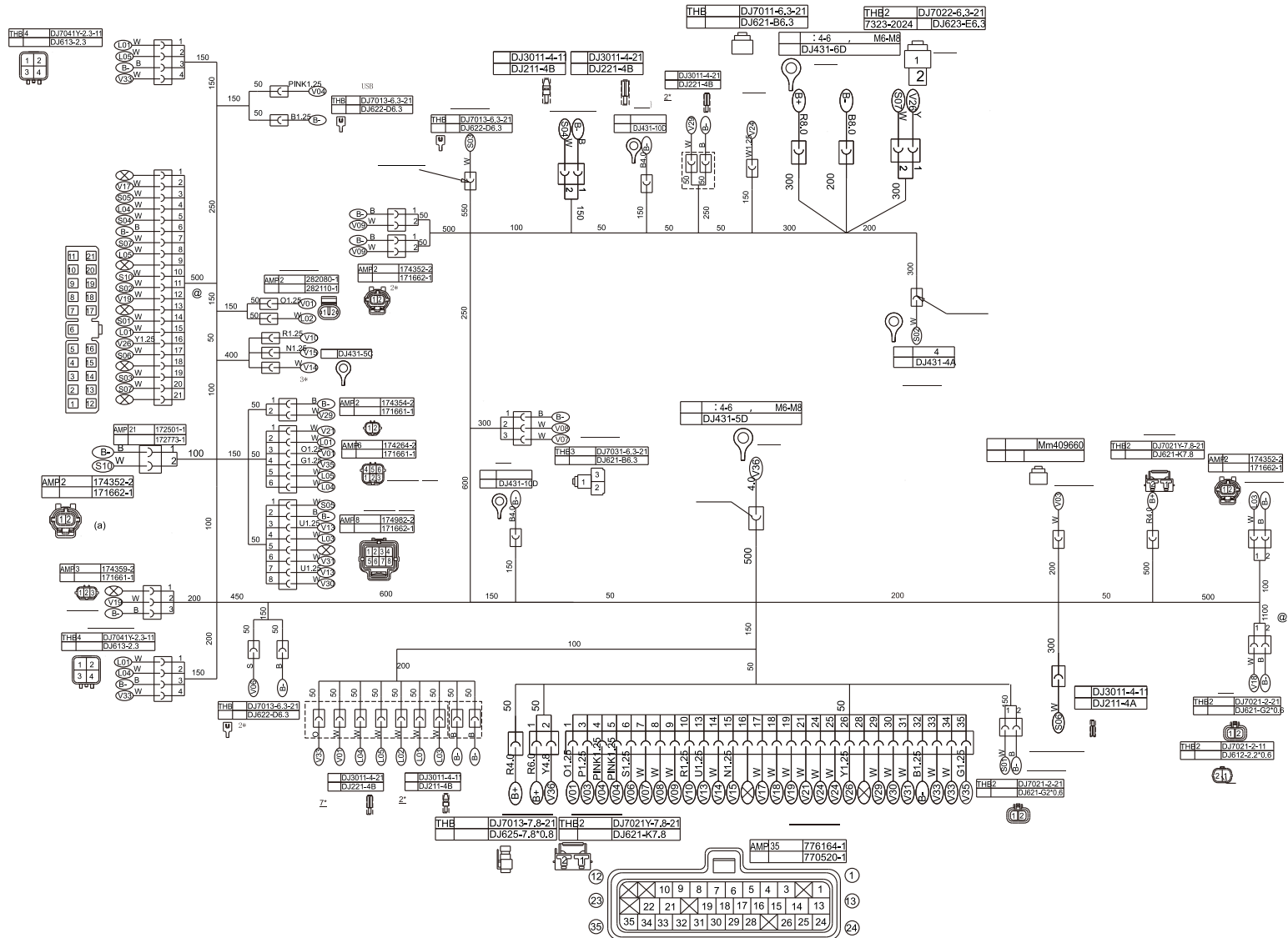
Vehicle harness()



Vehicle harness(Mitsubishi S4S)

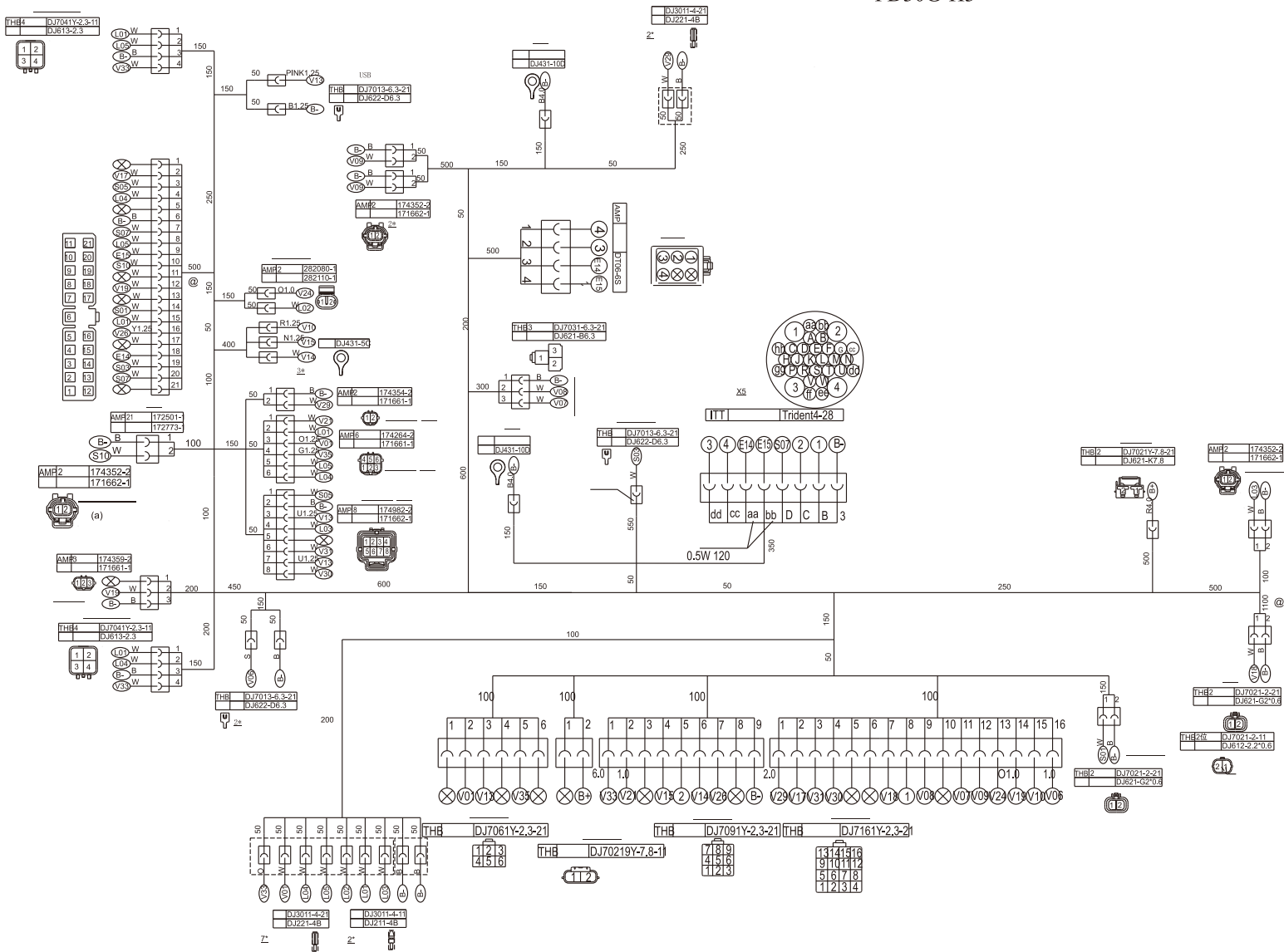
FD20,25,30,35-S2/S5

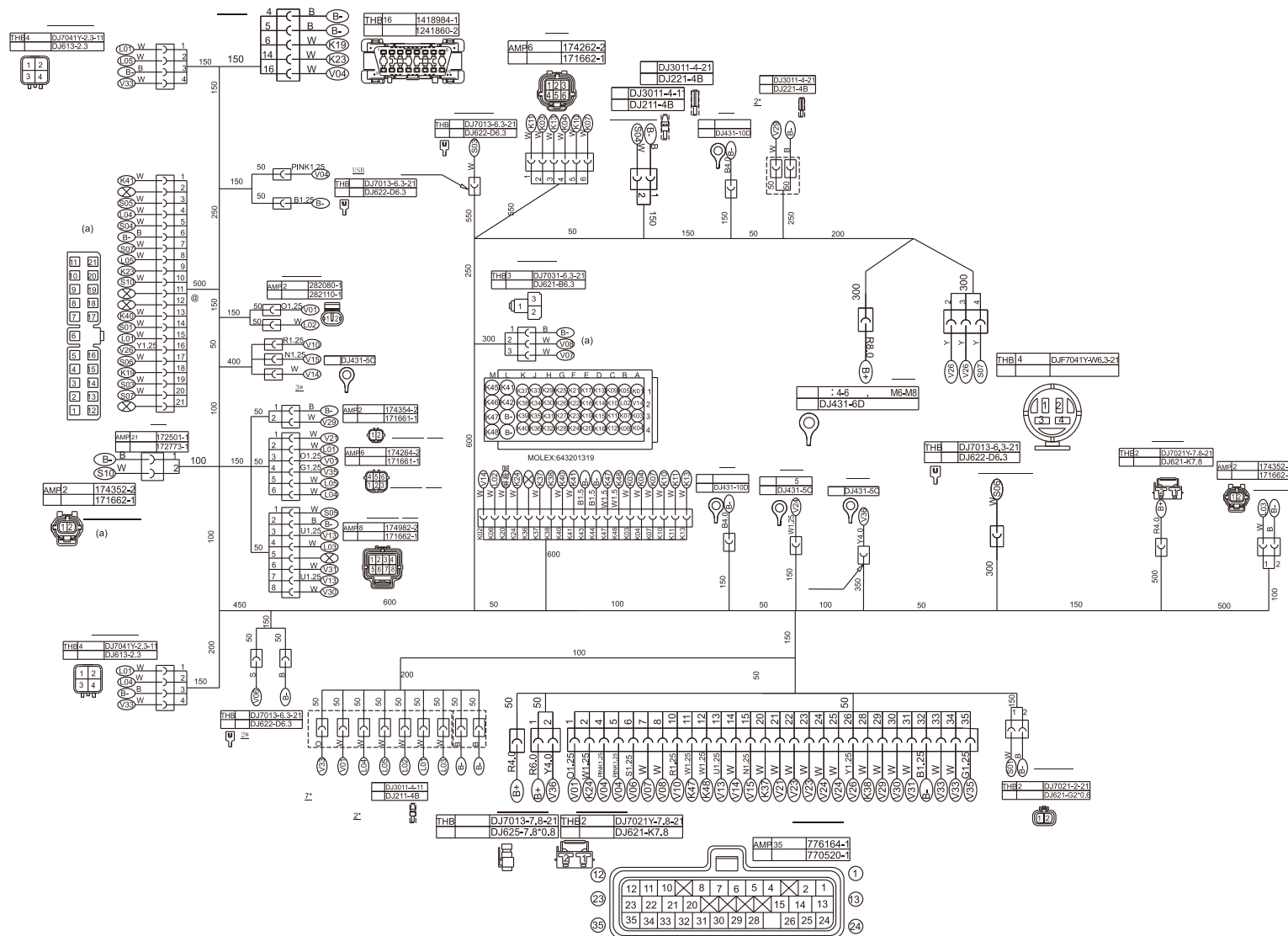




Vehicle harness()

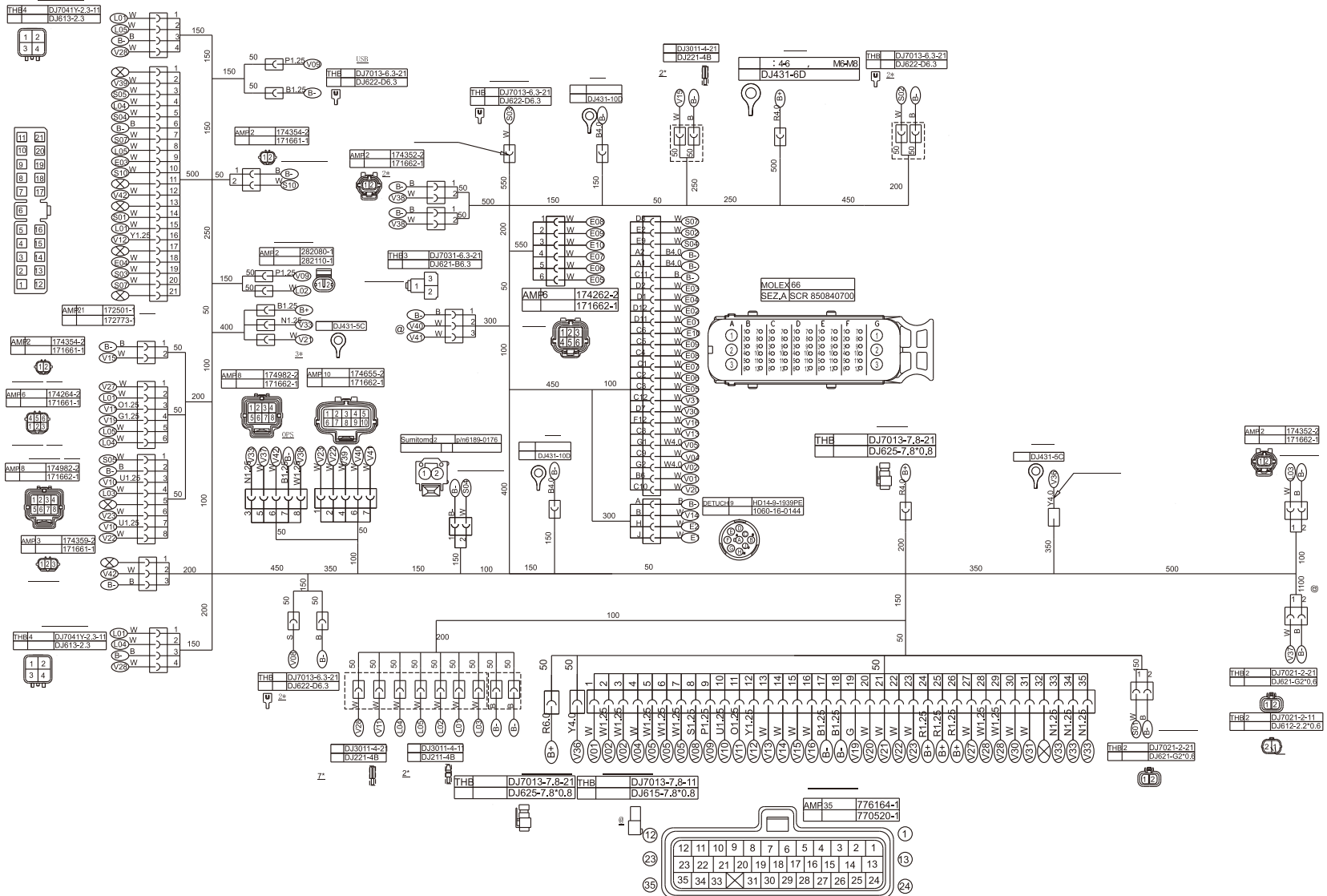
FD30G-H3





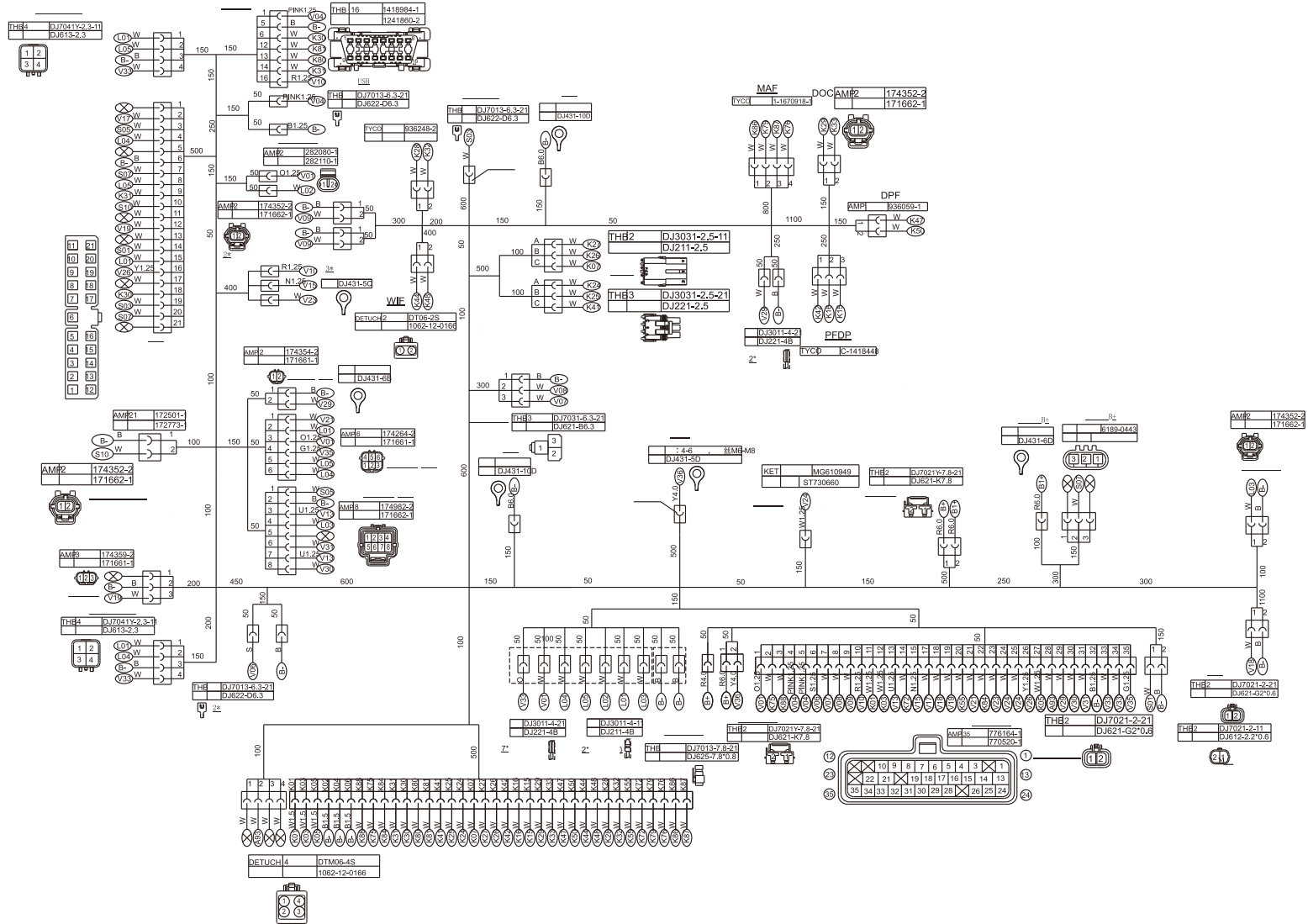
Vehicle harness(4TNE98)

FD30G-KL1



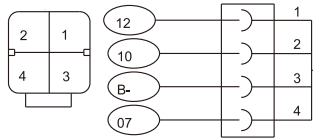
Vehicle harness(D24)

FD30G-DS1

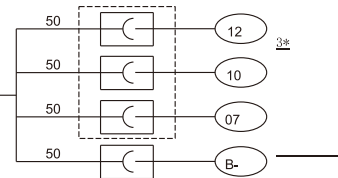


Head guard

THB	4	DJ7041Y-2.3-21
		DJ621-2.3



1050



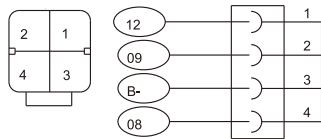
DJ3011-4-21
DJ221-4B



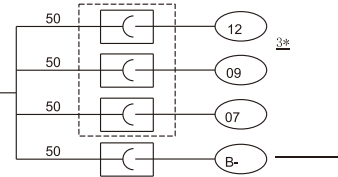
DJ3011-4-11
DJ211-4B



THB	4	DJ7041Y-2.3-21
		DJ621-2.3



1050



DJ3011-4-21
DJ221-4B

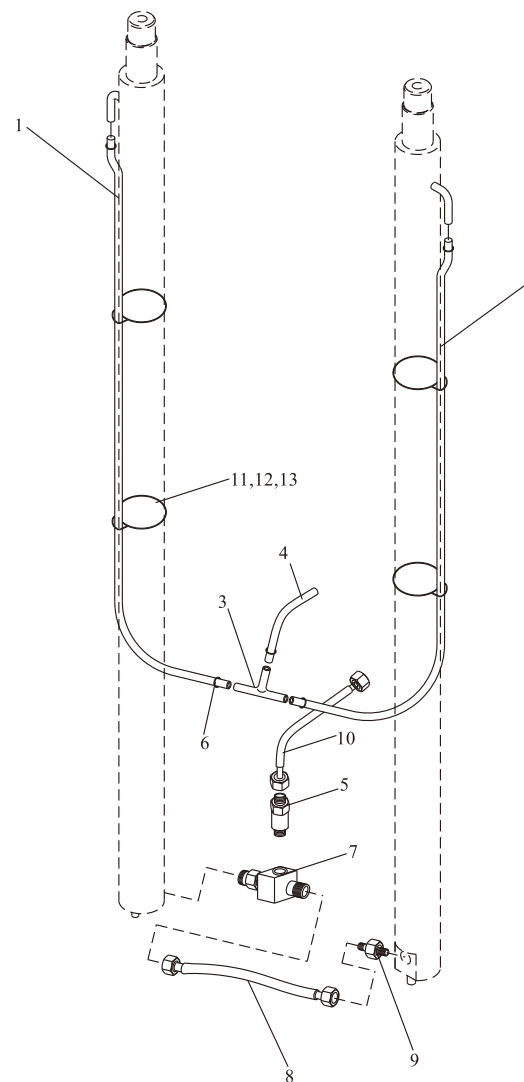


DJ3011-4-11
DJ211-4B



Hydraulic system mast(Normal mast KM)

Item	Part No	Description	Q'ty	Remark
1	TG000-120XX	d12×L1 Tube vinyl	1	
2	TG000-120XX	d12×L2 Tube vinyl	1	
3	GJT-01-00	Joint	1	
4	TG000-12110	d12×1100 Tube vinyl	1	
5	GJT-02-00-2	Flow regulator	1	2-2.5t EX-B
-	GJT-243-00-2	Flow regulator	1	2-2.5t EX-A
-	GJT-02-00-3	Flow regulator	1	3t EX-B
-	GJT-243-00-3	Flow regulator	1	3t EX-A
-	GJT-02-00-4	Flow regulator	1	3.5t EX-B
6	GJT-411-00	Flow regulator	1	3.5t EX-A
7	TOAH-18-01	Binding	3	
-	GJT-03-00C	Three way connector ass'y	1	2-3t EX-B
-	GJT-390-00	Three way connector ass'y	1	2-3t EX-A
-	GJT-80-00	Three way connector ass'y	1	3.5t EX-B
8	GJT-388-00	Three way connector ass'y	1	3.5t EX-A
-	TGIBII-13040*J	13II×400 Hose H.P.	1	EX-B
9	TGICII-13040*J	13II×400 Hose H.P.	1	EX-A
-	GJT-04-00	Valve,check	1	2-3t EX-B
-	GJT-391-00	Valve,check	1	2-3t EX-A
-	GJT-77-00	Valve,check	1	3.5t EX-B
-	GJT-491-00	Valve,check	1	3.5t EX-A
10	TGIBII-13056GS*J	13II×560 Hose H.P.	1	EX-B
-	TGICII-13056GS*J	13II×560 Hose H.P.	1	EX-A
11	M30A3-70001	Band	4	
12	TQ000-05035	5×350 Binding	4	
13	Tk000-10016	10×16 Clip	6	

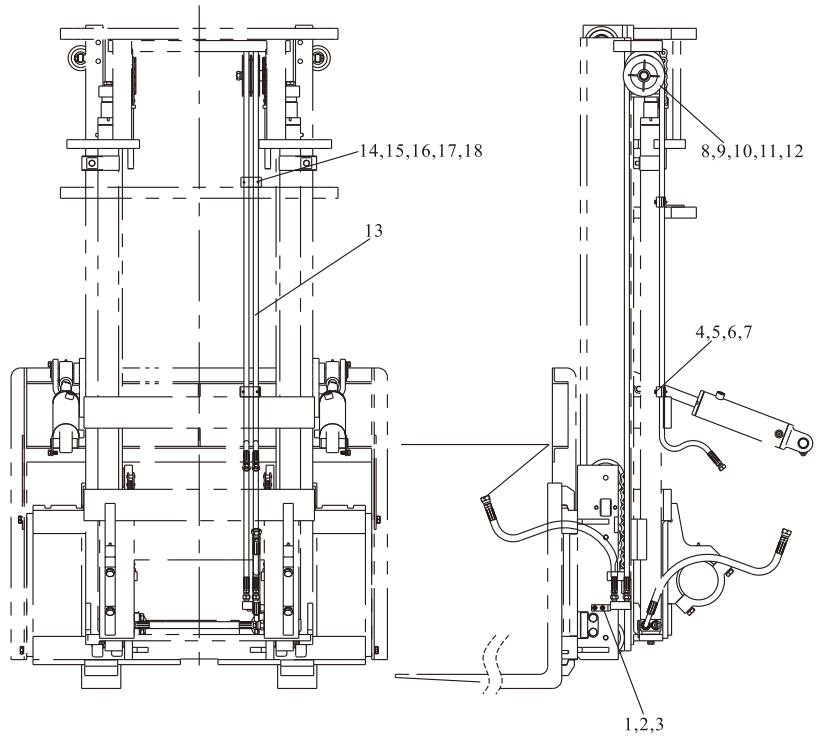


Hydraulic system mast(Normal mast KM)

(Mast Piping Optional Parts)			
Lifting Height	Hose(mm)	Hose(mm)	Remark
2000	1000	900	
2500	1200	1100	
2700	1300	1200	
3000	1400	1350	
3300	1600	1500	
3500	1700	1600	
3700	1800	1700	
4000	2000	1900	
4250	2100	2000	
4500	2300	2150	
4750	2400	2300	
5000	2500	2400	
5500	2800	2700	
6000	3100	2950	

Hydraulic system attachments(Normal mast KM)

Item	Part No	Description	Q'ty	Remark
1	GB/T5783	M8×25 Bolt	2	
2	GB/T93	8 Washer,lock	2	
3	SJM30A-0100R	Nipple	1	EX-B
-	GJT-435-00R	Nipple	1	EX-A
4	SJM30A-0005	Band	2	
5	SJM30A-0004	Pallet	1	
6	GB/T5783	M6×35 Bolt	2	
7	GB/T93	6 Washer,lock	2	
8	GB/T5785	M16×1.5×75 Bolt	1	
9	GB/T93	16 Washer,lock	1	
10	GB/T97.1	16 Washer	1	
11	SJM30A-0002	Pulley	2	
12	M30K3-90002	Bushing	1	
13	TGIBI-08XXX-J	8I×XXX Hose H.P	2	EX-B
-	TGICI-08XXX-J	8I×XXX Hose H.P	2	EX-A
14	M30K3-90001	Support	1	≥4
15	SJM30A-0004	Pallet	1	≥4
16	SJM30A-0005	Band	2	≥4
17	GB/T5783	M6×35 Bolt	2	≥4
18	GB/T93	6 Washer,lock	2	≥4

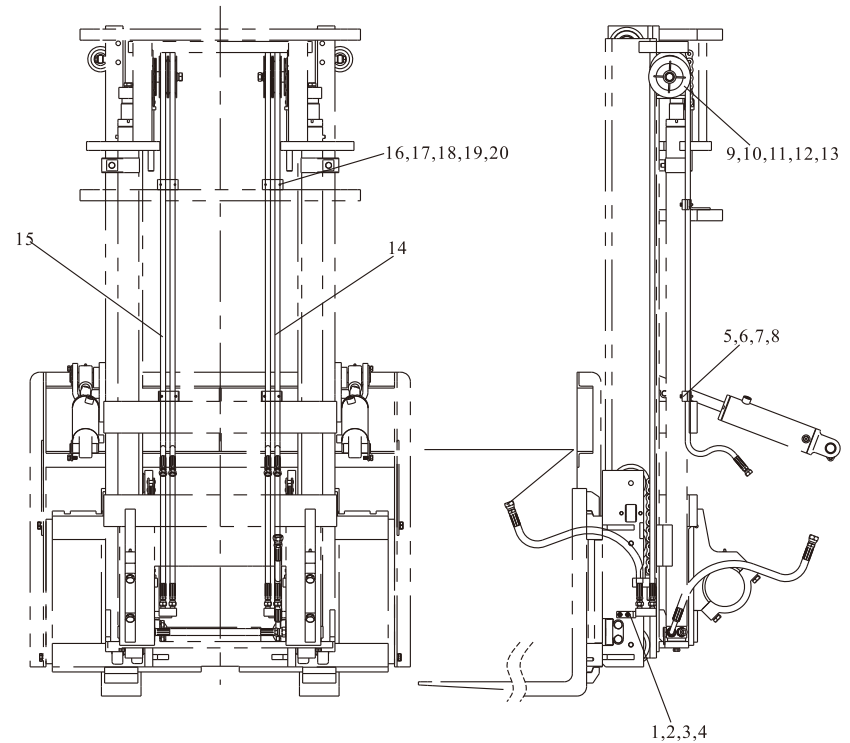


Hydraulic system attachments(Normal mast KM)

(Mast Piping Optional Parts)		
Lifting Height	Hose(mm)	Remark
2000	2350	
2500	2800	
2700	3050	
3000	3450	
3300	3700	
3500	3900	
3700	4200	
4000	4500	
4500	5000	
5000	5500	
5500	6000	
6000	6500	

Hydraulic system attachments(Normal mast KM)

Item	Part No	Description	Q'ty	Remark
1	GB/T5783	M8×25 Bolt	4	
2	GB/T93	8 Washer,lock	4	
3	SJM30A-0100R	Nipple	1	EX-B
-	GJT-435-00R	Nipple	1	EX-A
4	SJM30A-0100L	Nipple	1	EX-B
-	GJT-435-00L	Nipple	1	EX-A
5	SJM30A-0005	Band	4	
6	SJM30A-0004	Pallet	2	
7	GB/T5783	M6×35 Bolt	4	
8	GB/T93	6 Washer,lock	4	
9	GB/T5785	M16×1.5×75 Bolt	2	
10	GB/T93	16 Washer,lock	2	
11	GB/T97.1	16 Washer	2	
12	SJM30A-0002	Pulley	4	
13	M30K3-90002	Bushing	2	
-	TGIBI-08XXX-J	8I×XXX Hose H.P	2	EX-B
14	TGICI-08XXX-J	8I×XXX Hose H.P	2	EX-A
-	TGIBI-08XXX-J	8I×XXX Hose H.P	2	EX-B
15	TGICI-08XXX-J	8I×XXX Hose H.P	2	EX-A
16	M30K3-90001	Support	2	≥4
17	SJM30A-0004	Pallet	2	≥4
18	SJM30A-0005	Band	4	≥4
19	GB/T5783	M6×35 Bolt	4	≥4
20	GB/T93	6 Washer,lock	4	≥4



Hydraulic system attachments(Normal mast KM)

(Mast Piping Optional Parts)			
Lifting Height	Hose(mm)	Hose(mm)	Remark
2000	2350	2500	
2500	2800	3000	
2700	3050	3250	
3000	3450	3550	
3300	3700	3800	
3500	3900	4000	
3700	4200	4400	
4000	4500	4600	
4500	5000	5100	
5000	5500	5600	
5500	6000	6100	
6000	6500	6500	

Hydraulic system mast(Full Free 2-Stage Mast KZM)

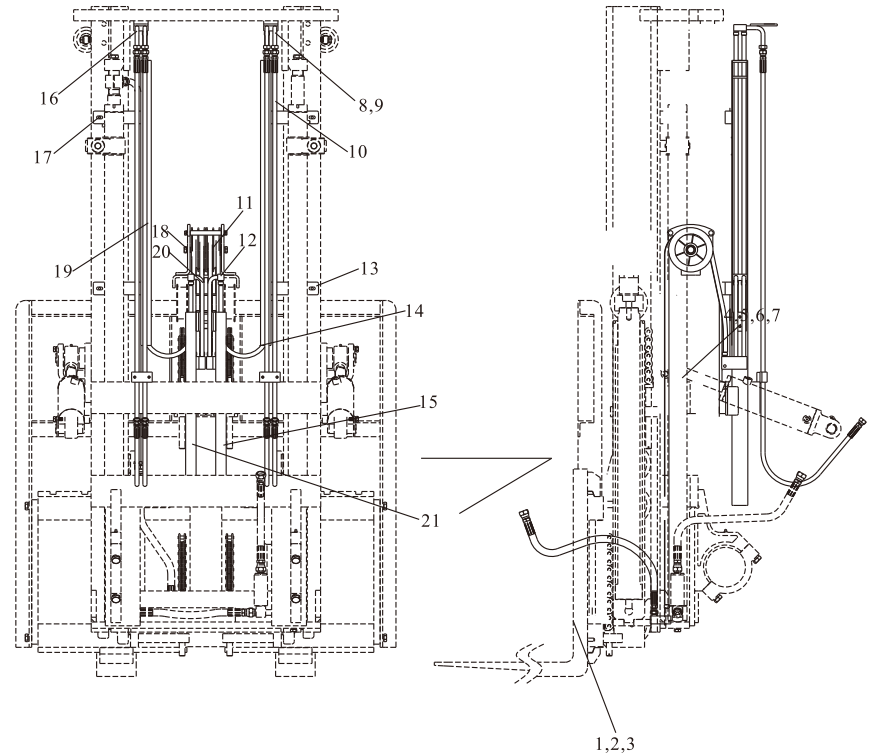
(Mast Piping Optional Parts)		
Lifting Height	Hose(mm)	Remark
2500	975	
2700	1075	
3000	1225	
3300	1375	
3500	1475	
3700	1575	
4000	1775	
4500	2025	
5000	2275	
5500	2575	
6000	2825	

Hydraulic system attachments(Full Free 2-Stage Mast KZM)

(Mast Piping Optional Parts)				
Lifting Height	Hose(mm)	Hose(mm)	Hose(mm)	Remark
2000	1300	1350	1100	
2500	1550	1480	1200	
3000	1800	1600	1350	
3300	1950	1670	1400	
3500	2050	1730	1450	
3700	2150	1770	1500	
4000	2350	1850	1600	
4500	2600	2000	1700	
5000	2850	2100	1850	
5500	3150	2220	1950	
6000	3400	2350	2100	

Hydraulic system attachments(Full Free 2-Stage Mast KZM)

Item	Part No	Description	Q'ty	Remark
1	GJT-106-00	Nipple	1	EX-B
-	GJT-450-00	Nipple	1	EX-A
2	GB/T5783	M8×35 Bolt	2	
3	GB/T93		14	
4	SJM30A-0005	Band	4	
5	SJM30A-0004	Pallet	2	
6	GB/T5783	M6×35 Bolt	4	
7	GB/T93		4	
8	Z30K3-90200R	Steel Pipe ass'y	1	EX-B
-	Z30K3-90500R	Steel Pipe ass'y	1	EX-A
9	GB/T5783	M8×16 Bolt	8	
10	TGIBII-08XXX	8II×XXX Hose H.P	2	EX-B
-	TGICII-08XXX	8II×XXX Hose H.P	2	EX-A
11	TGIBII-08XXX	8II×XXX Hose H.P	4	EX-B
-	TGICII-08XXX	8II×XXX Hose H.P	4	EX-A
12	Z30K3-90400R	Steel Pipe ass'y	1	EX-B
-	Z30K3-90600R	Steel Pipe ass'y	1	EX-A
13	Z30K3-90100R	Guide	1	
14	TGIBII-08XXX	8II×XXX Hose H.P	4	EX-B
-	TGICII-08XXX	8II×XXX Hose H.P	4	EX-A
15	Z30K3-90300R	Guide	1	
16	Z30K3-90200L	Steel Pipe ass'y	1	EX-B
-	Z30K3-90500L	Steel Pipe ass'y	1	EX-A
17	Z30K3-90100L	Guide	1	
18	S30K3-90500	Pulley block ass'y	1	
19	TGIBII-08XXX	8II×XXX Hose H.P	2	EX-B
-	TGICII-08XXX	8II×XXX Hose H.P	2	EX-A
20	Z30K3-90400L	Steel Pipe ass'y	1	EX-B
-	Z30K3-90600L	Steel Pipe ass'y	1	EX-A
21	Z30K3-90300L	Guide	1	

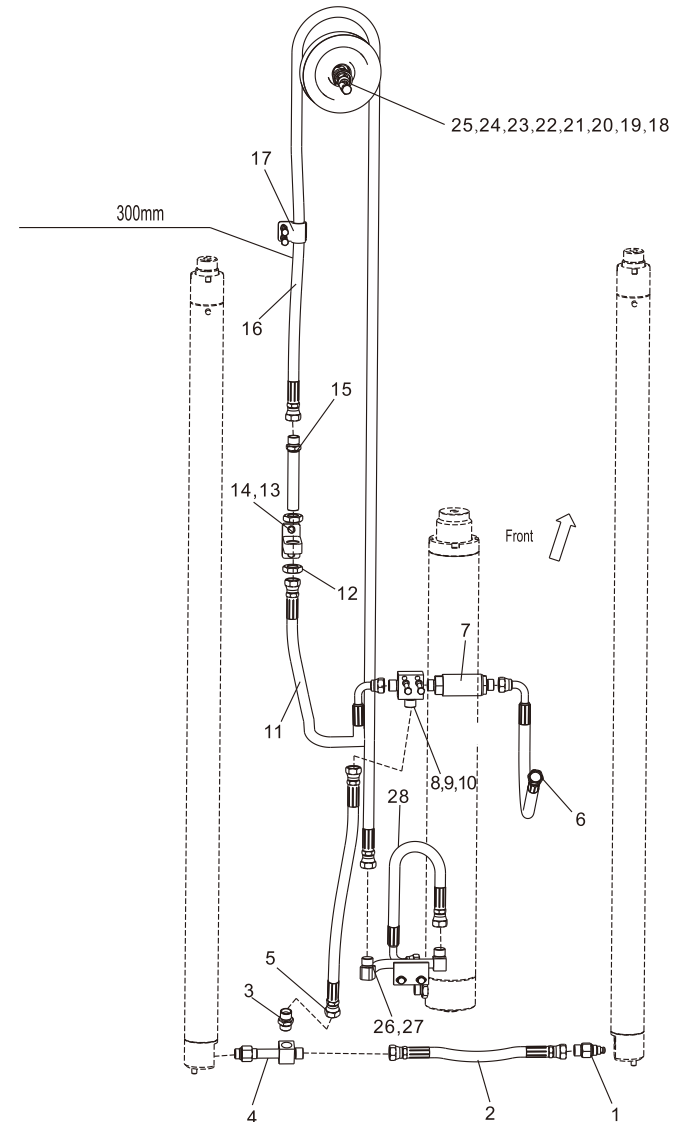


Hydraulic system attachments(Full Free 2-Stage Mast KZM)

(Mast Piping Optional Parts)					
Lifting Height	Hose(mm)	Hose(mm)	Hose(mm)	Hose(mm)	Remark
2000	1300	1350	1100	1400	
2500	1550	1500	1200	1650	
3000	1800	1600	1350	1900	
3300	1950	1700	1400	2050	
3500	2050	1750	1450	2150	
3700	2150	1800	1500	2250	
4000	2350	1850	1600	2450	
4500	2600	2000	1700	2700	
5000	2850	2100	1850	2950	
5500	3150	2220	1950	3250	
6000	3400	2350	2100	3500	

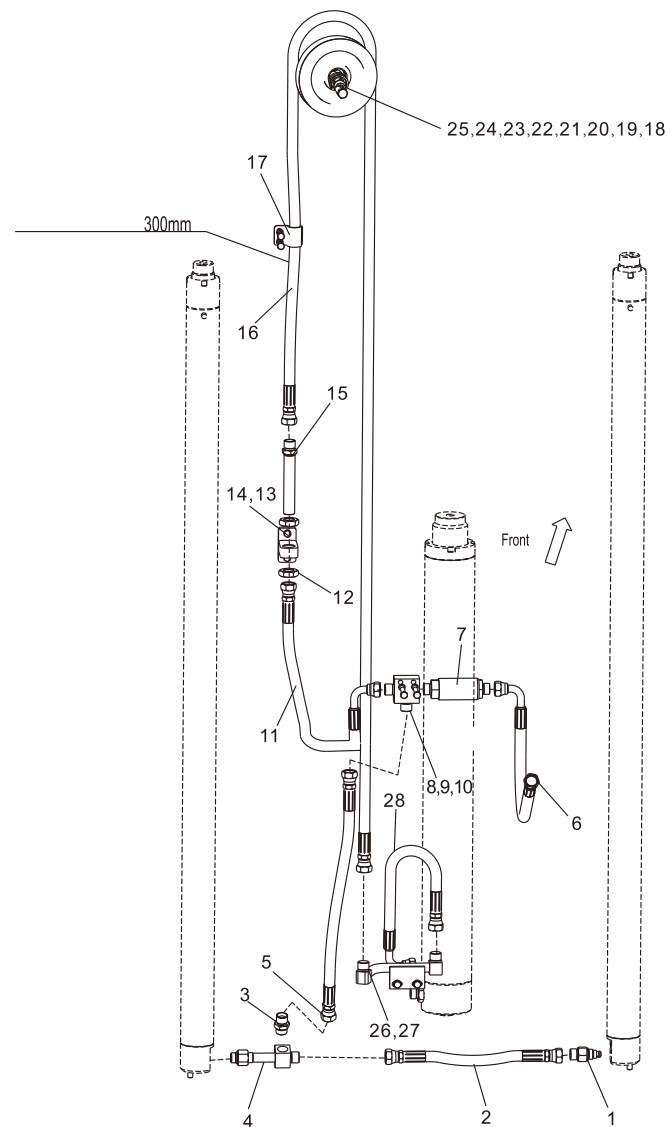
Hydraulic system mast(Full Free 3-Stage Mast KZM)

Item	Part No	Description	Q'ty	Remark
1	GJT-04-00	Valve,check	1	EX-B
-	GJT-391-00	Valve,check	1	EX-A
2	TGIBII-13035*J	3II×350 Hose H.P.	1	EX-B
-	TGICII-13035*J	13II×350 Hose H.P.	1	EX-A
3	GJT-26-00	Nipple	1	EX-B
-	GJT-242-00	Nipple	1	EX-A
4	GJT-03-00C	Three way connector ass'y	1	EX-B
-	GJT-390-00	Three way connector ass'y	1	EX-A
5	TGIBII-13054NL*J	13II×540 Hose H.P.	1	EX-B
-	TGICII-13054NL*J	13II×540 Hose H.P.	1	EX-A
6	TGLBII-13075-H45GS*J	13II×750 Hose H.P.	1	EX-B
-	TGLCII-13075-H45GS*J	13II×750 Hose H.P.	1	EX-A
7	GJT-02-00-2	Flow regulator	1	2-2.5t EX-B
-	GJT-02-00-3	Flow regulator	1	3t EX-B
-	GJT-02-00-4	Flow regulator	1	3.5t EX-B
-	GJT-243-00-2	Flow regulator	1	2-2.5t EX-A
-	GJT-243-00-3	Flow regulator	1	3t EX-A
-	GJT-411-00	Flow regulator	1	3.5t EX-A
8	GJT-61-00	Four way connector ass'y	1	EX-B
-	GJT-241-00	Four way connector ass'y	1	EX-A
9	GB/T5783	M8×50 Bolt	2	EX-B
10	GB/T93	8 Washer,lock	8	EX-B
11	TGIBII-13063-H40*J	13II×630 Hose H.P.	1	EX-B
-	TGICII-13039-H40*J	13II×630 Hose H.P.	1	EX-A
12	GB/T6173	M22×1.5 Nut	2	
13	S30J3-70004	Adapter bracket	1	
14	GB/T5783	M8×20 Bolt	6	
15	GJT-179-00	Nipple	1	EX-B
-	GJT-237-00	Nipple	1	EX-A
16	TGIBII-13XXX	13II×XXX Hose H.P.	1	EX-B



Hydraulic system mast(Full Free 3-Stage Mast KZM)

Item	Part No	Description	Q'ty	Remark
-	TGICII-13XXX	13II×XXX Hose H.P.	1	EX-A
17	S30J3-70003	Clip	5	
18	S30J3-70002	Axle	1	
19	GB/T276	6003 Bushing	1	
20	S30J3-70001	Pulley	1	
21	GB/T893.1	52 Ring	1	
22	GB/T894.1	25 Ring	1	
23	GB/T5785	M16×1.5×55 Bolt	1	
24	GB/T93	16 Washer,lock	1	
25	GB/T97.1	16 Washer	1	
26	S30J3-70100	Steel Pipe ass'y	1	EX-B
-	S30J3-70100A	Steel Pipe ass'y	1	EX-A
27	GB/T97.1	8 Washer	2	
28	TGLBII-13040-H40NL*J	13II×400 Hose H.P.	1	EX-B
-	TGLCII-13040-H40NL*J	13II×400 Hose H.P.	1	EX-A

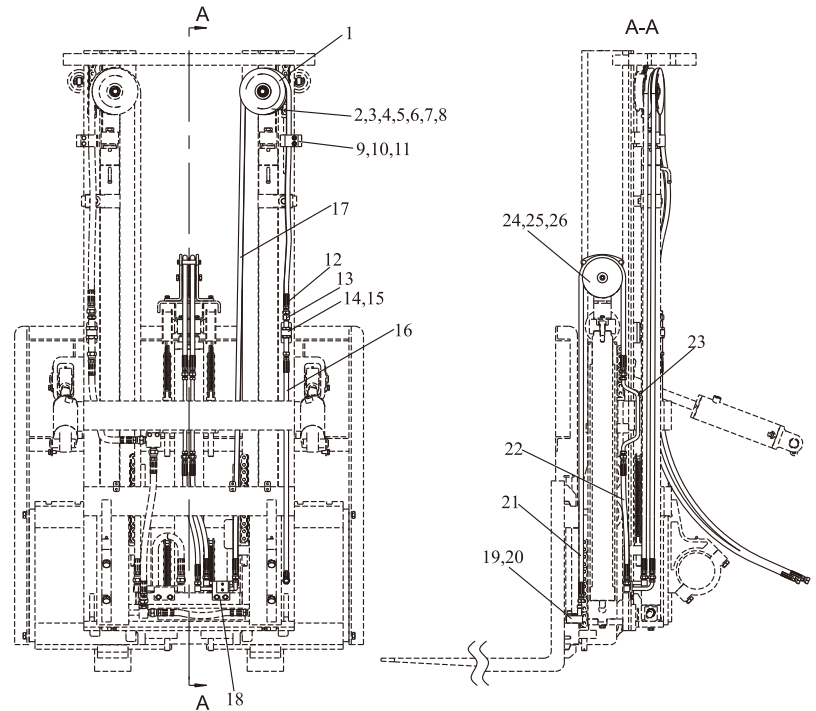


Hydraulic system mast(Full Free 3-Stage Mast KZM)

(Mast Piping Optional Parts)		
Lifting Height	Hose(mm)	Remark
3700	2100	
4000	2300	
4350	2500	
4500	2600	
4800	2800	
5000	2900	
5500	3300	
6000	3600	
6500	4100	
7000	4400	
7500	4900	

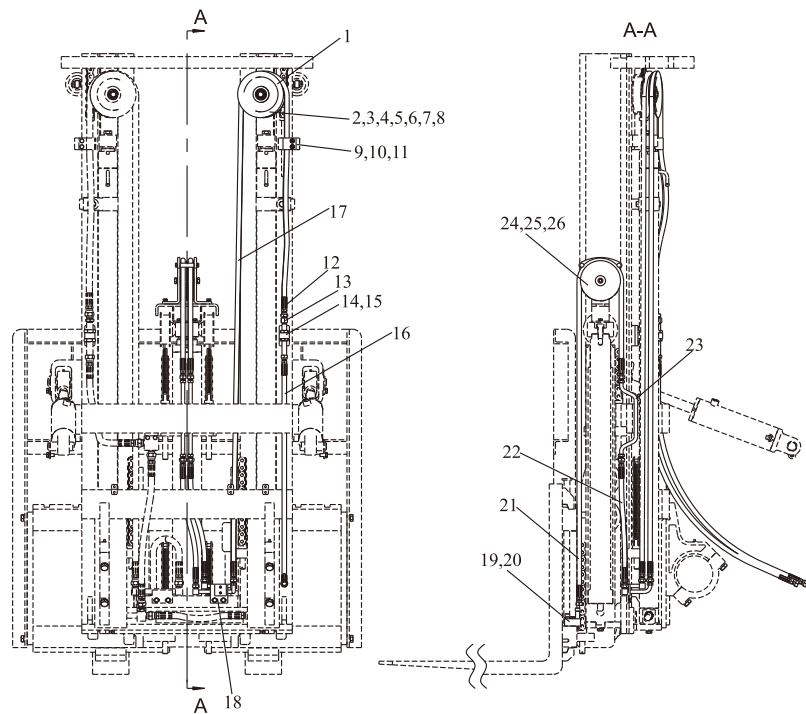
Hydraulic system attachments(Full Free 3-Stage Mast KZM)

Item	Part No	Description	Q'ty	Remark
1	S30J3-90001	Pulley	1	
2	GB/T5785	M16×1.5×50 Bolt	1	
3	GB/T93	16 Washer,lock	1	
4	GB/T97.1	16 Washer	1	
5	GB/T276	6205 Bearing	1	
6	GB/T893.1	52 Ring	1	
7	GB/T894.1	25 Ring	1	
8	S30J3-90002	Axle	1	
9	S30J3-90003	Clip	2	
10	GB/T70. 1	M8×50 Screw	2	
11	GB/T93	16 Washer,lock	14	
12	GJT-180-00	Nipple	2	EX-B
-	GJT-236-00	Nipple	2	EX-A
13	GB/T6171	M14×1.5 Nut	4	
14	S30J3-90006	Adapter bracket	1	
15	GB/T5783	M8×20 Bolt	6	
16	TGIBI-08095*J	8I×950 Hose H.P.	2	EX-B
-	TGICI-08095*J	8I×950 Hose H.P.	2	EX-A
17	TGIBI-08XXX	8I×XXX Hose H.P.	2	EX-B
-	TGICI-08XXX	8I×XXX Hose H.P.	2	EX-A
18	S30J3-90100	Steel Pipe ass'y	1	EX-B
-	S30J3-90100A	Steel Pipe ass'y	1	EX-A
19	GJT-225-00	Four way connector ass'y	1	EX-B
-	GJT-401-00	Four way connector ass'y	1	EX-A
20	GB/T5783	M8×35 Bolt	2	
21	TGIBI-08XXX	8I×XXX Hose H.P.	2	EX-B
-	TGICI-08XXX	8I×XXX Hose H.P.	2	EX-A
22	TGIBI-08045*J	8I×450 Hose H.P.	2	EX-B
-	TGICI-08045*J	8I×450 Hose H.P.	2	EX-A
23	S30J3-90300	Steel Pipe ass'y	1	EX-B



Hydraulic system attachments(Full Free 3-Stage Mast KZM)

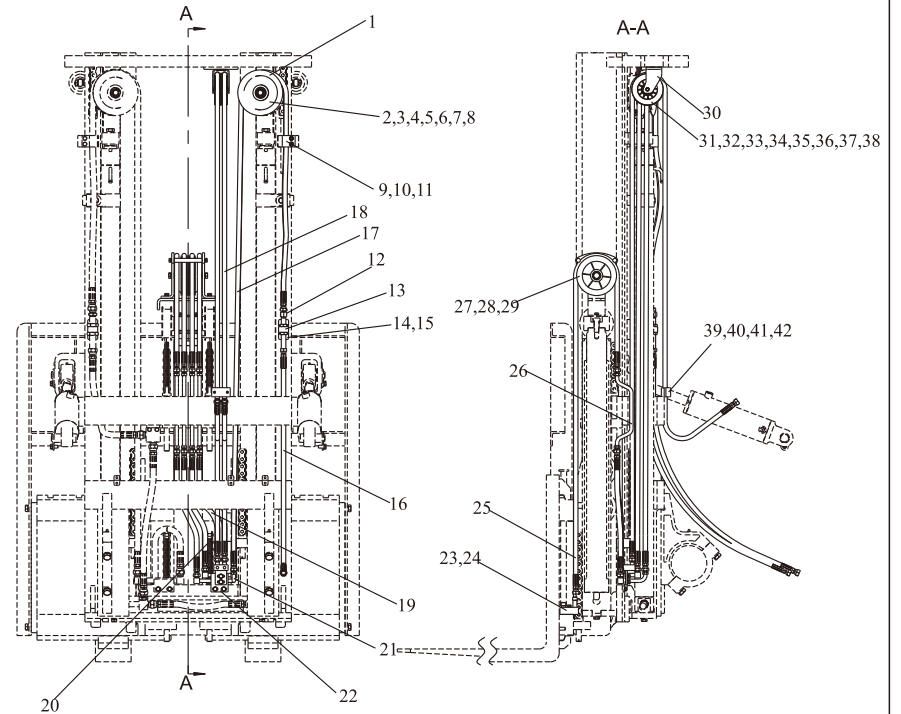
Item	Part No	Description	Q'ty	Remark
-	S30J3-90300A	Steel Pipe ass'y	1	EX-A
24	S30K3-90200	Pulley frame	1	
25	GB/T5783	M8×16 Bolt	4	
26	GB/T93		4	



(Mast Piping Optional Parts)			
Lifting Height	Hose(mm)	Hose(mm)	Remark
3700	2100	1300	
4000	2300	1400	
4350	2500	1550	
4500	2600	1600	
4800	2800	1700	
5000	2900	1900	
5500	3300	2070	
6000	3600	2230	
6500	4100	2400	
7000	4400	2550	
7500	4900	2700	

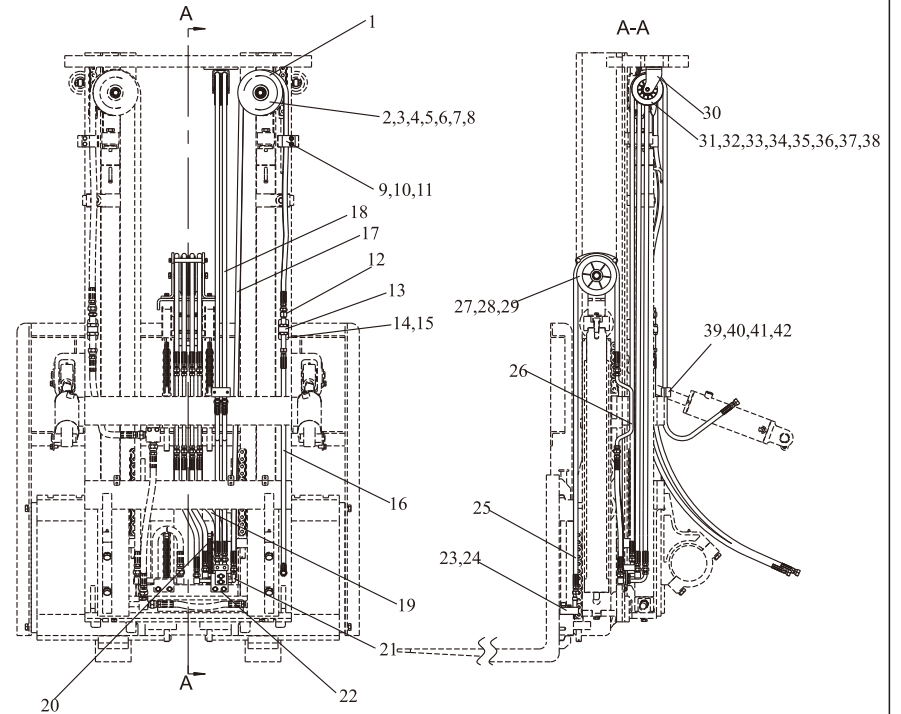
Hydraulic system attachments(Full Free 3-Stage Mast KZM)

Item	Part No	Description	Q'ty	Remark
1	S30J3-90001	Pulley	1	
2	GB/T5785	M16×1.5×50 Bolt	1	
3	GB/T93	16 Washer,lock	1	
4	GB/T97.1	16 Washer	1	
5	GB/T276	6205 Bearing	1	
6	GB/T893.1	52 Ring	1	
7	GB/T894.1	25 Ring	1	
8	S30J3-90002	Axle	1	
9	S30J3-90003	Clip	2	
10	GB/T70. 1	M8×50 Screw	2	
11	GB/T93	16 Washer,lock	22	
12	GJT-180-00	Nipple	2	EX-B
-	GJT-236-00	Nipple	2	EX-A
13	GB/T6171	M14×1.5 Nut	4	
14	S30J3-90006	Adapter bracket	1	
15	GB/T5783	M8×20 Bolt	4	
16	TGIBI-08095*J	8I×950 Hose H.P.	2	EX-B
-	TGICI-08095*J	8I×950 Hose H.P.	2	EX-A
17	TGIBI-08XXX	8I×XXX Hose H.P.	2	EX-B
-	TGICI-08XXX	8I×XXX Hose H.P.	2	EX-A
18	TGIBI-08XXX	8I×XXX Hose H.P.	2	EX-B
-	TGICI-08XXX	8I×XXX Hose H.P.	2	EX-A
19	TGIBI-08040	8I×400 Hose H.P.	2	EX-B
-	TGICI-08040	8I×400 Hose H.P.	2	EX-A
20	TGIBI-08045	8I×450 Hose H.P.	2	EX-B
-	TGICI-08045	8I×450 Hose H.P.	2	EX-A
21	S30J3-90300	Connectors	1	EX-B
-	S30J3-90300A	Connectors	1	EX-A
22	S30J3-90100	Steel Pipe ass'y	1	EX-B
-	S30J3-90100A	Steel Pipe ass'y	1	EX-A



Hydraulic system attachments(Full Free 3-Stage Mast KZM)

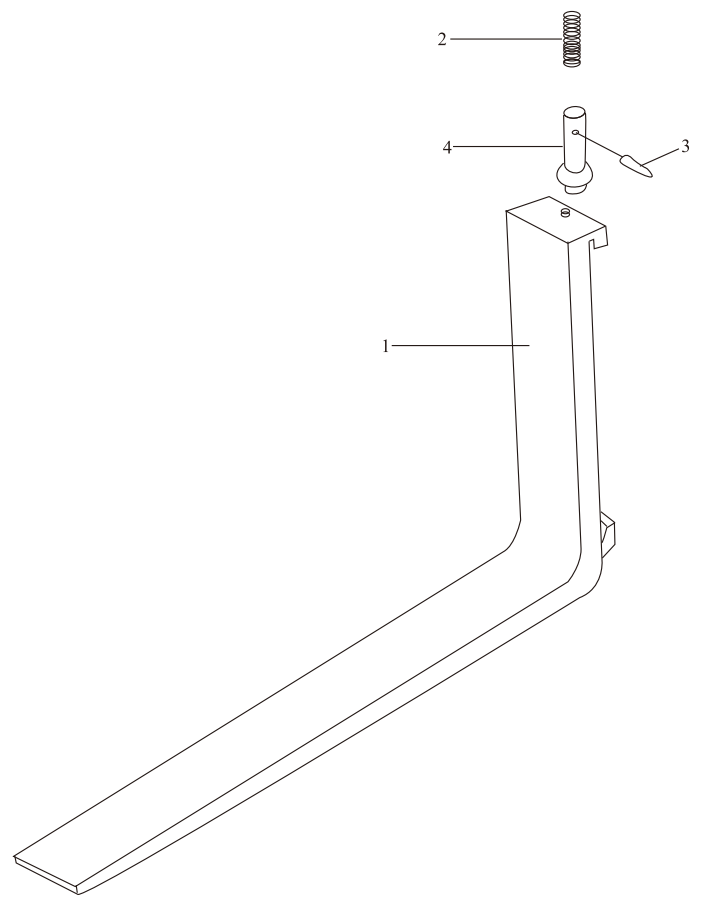
Item	Part No	Description	Q'ty	Remark
23	GJT-106-00	Established joint	1	EX-B
-	GJT-450-00	Established joint	1	EX-A
24	GB/T5783	M8×35 Bolt	2	
25	TGIBI-08XXX	8I×XXX Hose H.P.	4	EX-B
-	TGICI-08XXX	8I×XXX Hose H.P.	2	EX-A
26	S30K3-90300	Steel Pipe ass'y	2	EX-B
-	S30K3-90300A	Steel Pipe ass'y	2	EX-A
27	S30K3-90500	Pulley frame	1	
28	GB/T5783	M8×16 Bolt	4	
29	GB/T93	8 Washer,lock	4	
30	S30J3-90400	Pulley bracket	1	
31	S30K3-90001	Pulley	1	
32	GB/T5785	M10×20 Bolt	2	
33	GB/T93	10 Washer,lock	2	
34	GB/T97.1	10 Washer	2	
35	S30J3-90005	Axle	1	
36	GB/T276	6003 Bearing	1	
37	GB/T893.1	17 Ring	1	
38	GB/T894.1	35 Ring	1	
39	SJM30A-0004	Pallet	1	
40	SJM30A-0005	Band	2	
41	GB/T5783	M6×35 Bolt	2	
42	GB/T93		2	



(Mast Piping Optional Parts)				
Lifting Height	Hose(mm)	Hose(mm)	Hose(mm)	Remark
3700	2100	3000	1300	
4000	2300	3200	1400	
4350	2500	3400	1550	
4500	2600	3500	1600	
4800	2800	3700	1700	
5000	2900	3800	1900	
5500	3400	4250	2100	
6000	3600	4500	2200	
6500	4100	5000	2400	
7000	4400	5300	2550	
7500	4900	5800	2700	

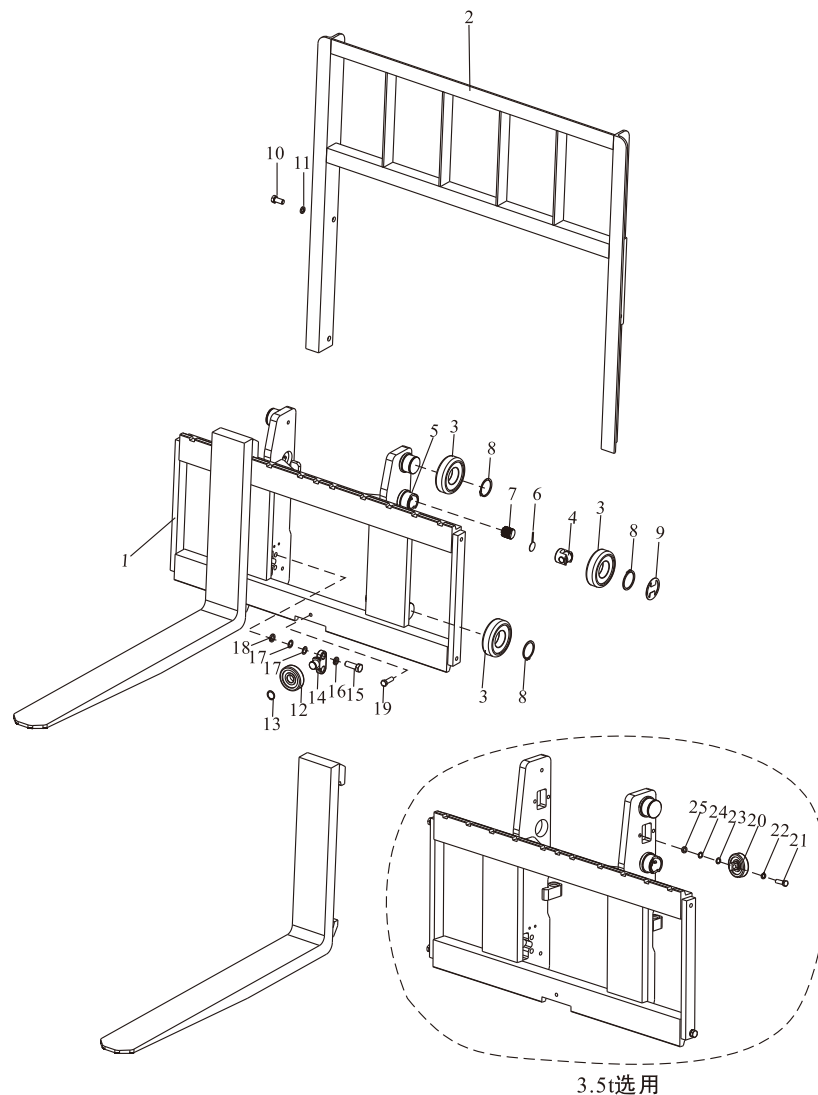
Fork

Item	Part No	Description	Q'ty	Remark
1	A30A3-90000	Fork ass'y	2	3t
-	A20A3-90000	Fork ass'y	2	2-2.5t
-	A35A3-90000	Fork ass'y	2	3.5t
2	A30A3-90001	Spring	2	3t
-	A20A3-90001	Spring	2	2-2.5t
-	A35A3-90001	Spring	2	3.5t
3	A30A3-90002	Pin	2	3t
-	A20A3-90002	Pin	2	2-2.5t
-	A35A3-90002	Pin	2	3.5t
4	A30A3-90003	Pin, stopper	2	3t
-	A20A3-90003	Pin, stopper	2	2-2.5t
-	A35A3-90003	Pin, stopper	2	3.5t



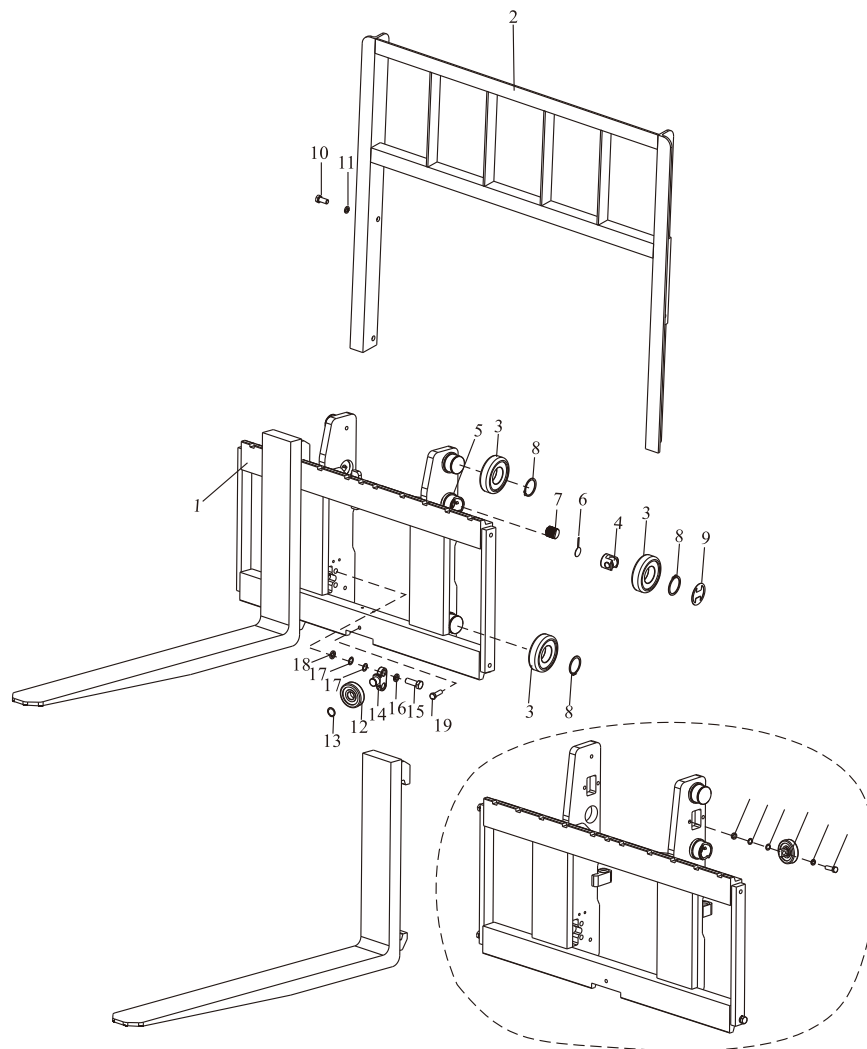
Lift Bracket Normal Mast

Item	Part No	Description	Q'ty	Remark
1	M30K3-50000	Lifting fork ass'y	1	3t
-	M20K3-50000	Lifting fork ass'y	1	2-2.5t
-	M35J3-50000	Lifting fork ass'y	1	3.5t
2	M30K3-60000	Backrest ass'y	1	3-3.5t
-	M20K3-60000	Backrest ass'y	1	2-2.5t
3	M30A3-40301	End Roller	6	
4	M30A3-40202-1	Side roller	2	
5	M30A3-30005-1	Shaft roller	2	
6	M30A3-40203-1	Loose slice	2	
7	M30A3-40302-1	Screw	2	
8	GB/T894.1	55 Snap,ring	6	
9	M30A3-40205-1	Dust-Proof ring	2	
10	GB/T5783	M14×25 Bolt	4	
11	GB/T93	14 Washer, lock	4	
12	M30K3-40200	Side roller	2	
13	GB/T894.1	25 Snap,ring	2	
14	M30K3-40001	Shaft roller	2	
15	GB/T5786	M16×1.25×45 Bolt	4	
16	GB/T93	16 Washer, lock	4	
17	M30K3-40006	Shim	8	
18	M30K3-40007	Spacer	4	
19	GB/T70.1	M12×25 Screw	1	
20	M30K3-40100	Side roller	2	3-3.5t
21	GB/T5786	M12×1.25×40 Bolt	4	3-3.5t
22	GB/T93	12 Washer, lock	4	3-3.5t
23	M30K3-40004	Shim	8	3-3.5t
24	M30K3-40005	Shim	8	3-3.5t
25	M30K3-40002	Spacer	4	3-3.5t



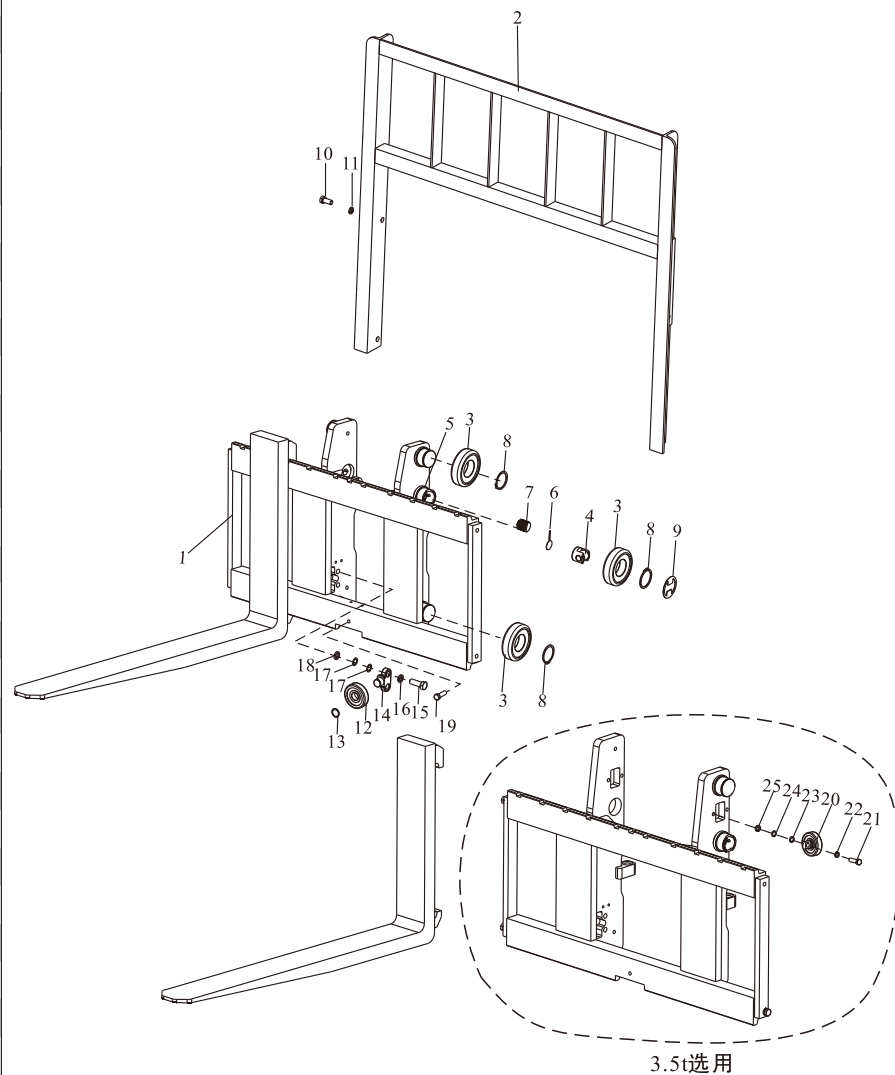
Lift Bracket Full Free 2-Stage Mast

Item	Part No	Description	Q'ty	Remark
1	Z30K3-50000	Lifting fork ass'y	1	3t
-	Z20K3-50000	Lifting fork ass'y	1	2-2.5t
-	Z35J3-50000	Lifting fork ass'y	1	3.5t
2	M30K3-60000	Backrest ass'y	1	3-3.5t
-	M20K3-60000	Backrest ass'y	1	2-2.5t
3	M30A3-40301	End Roller	6	
4	M30A3-40202-1	Side roller	2	
5	M30A3-30005-1	Shaft roller	2	
6	M30A3-40203-1	Loose slice	2	
7	M30A3-40302-1	Screw	2	
8	GB/T894.1	55 Snap,ring	6	
9	M30A3-40205-1	Dust-Proof ring	2	
10	GB/T5783	M14×25 Bolt	4	
11	GB/T93	14 Washer, lock	4	
12	M30K3-40200	Side roller	2	
13	GB/T894.1	25 Snap,ring	2	
14	M30K3-40001	Shaft roller	2	
15	GB/T5786	M16×1.25×45 Bolt	4	
16	GB/T93	16 Washer, lock	4	
17	M30K3-40006	Shim	8	
18	M30K3-40007	Spacer	4	
19	GB/T70.1	M12×25 Screw	1	
20	M30K3-40100	Side roller	2	3-3.5t
21	GB/T5786	M12×1.25×40 Bolt	4	3-3.5t
22	GB/T93	12 Washer, lock	4	3-3.5t
23	M30K3-40004	Shim	8	3-3.5t
24	M30K3-40005	Shim	8	3-3.5t
25	M30K3-40002	Spacer	4	3-3.5t



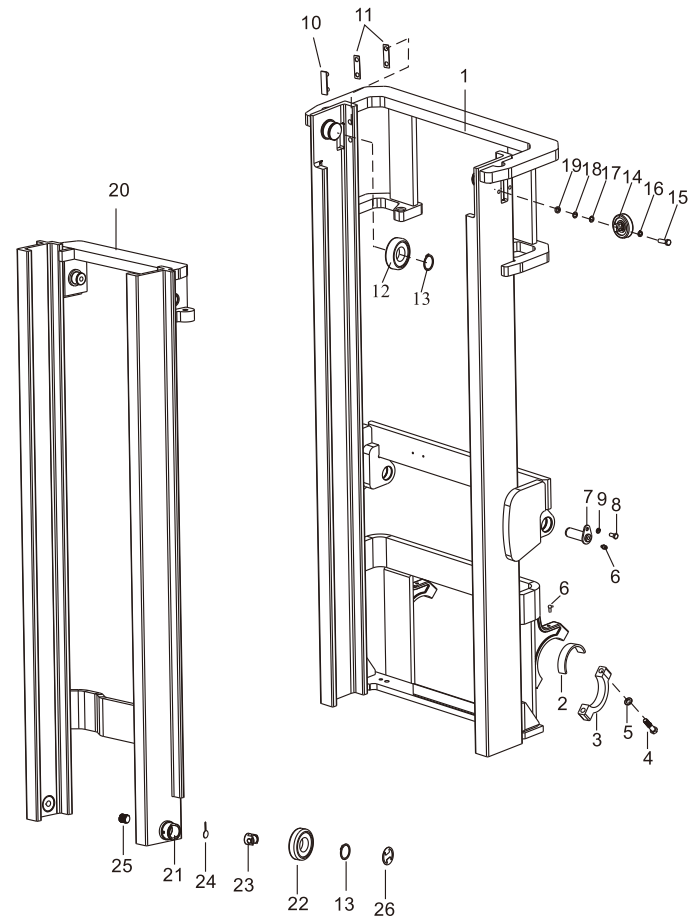
Lift Bracket Full Free 3-Stage Mast

Item	Part No	Description	Q'ty	Remark
1	S30J3-50000	Lifting fork ass'y	1	3t
-	S20J3-50000	Lifting fork ass'y	1	2-2.5t
-	S35J3-50000	Lifting fork ass'y	1	3.5t
2	M30K3-60000	Backrest ass'y	1	3-3.5t
-	M20K3-60000	Backrest ass'y	1	2-2.5t
3	M30A3-40301	End Roller	6	
4	M30A3-40202-1	Side roller	2	
5	M30A3-30005-1	Shaft roller	2	
6	M30A3-40203-1	Loose slice	2	
7	M30A3-40302-1	Screw	2	
8	GB/T894.1	55 Snap,ring	6	
9	M30A3-40205-1	Dust-Proof ring	2	
10	GB/T5783	M14×25 Bolt	4	
11	GB/T93	14 Washer, lock	4	
12	M30K3-40200	Side roller	2	
13	GB/T894.1	25 Snap,ring	2	
14	M30K3-40001	Shaft roller	2	
15	GB/T5786	M16×1.25×45 Bolt	4	
16	GB/T93	16 Washer, lock	4	
17	M30K3-40006	Shim	8	
18	M30K3-40007	Spacer	4	
19	GB/T70.1	M12×25 Screw	1	
20	M30K3-40100	Side roller	2	3-3.5t
21	GB/T5786	M12×1.25×40 Bolt	4	3-3.5t
22	GB/T93	12 Washer, lock	4	3-3.5t
23	M30K3-40004	Shim	8	3-3.5t
24	M30K3-40005	Shim	8	3-3.5t
25	M30K3-40002	Spacer	4	3-3.5t



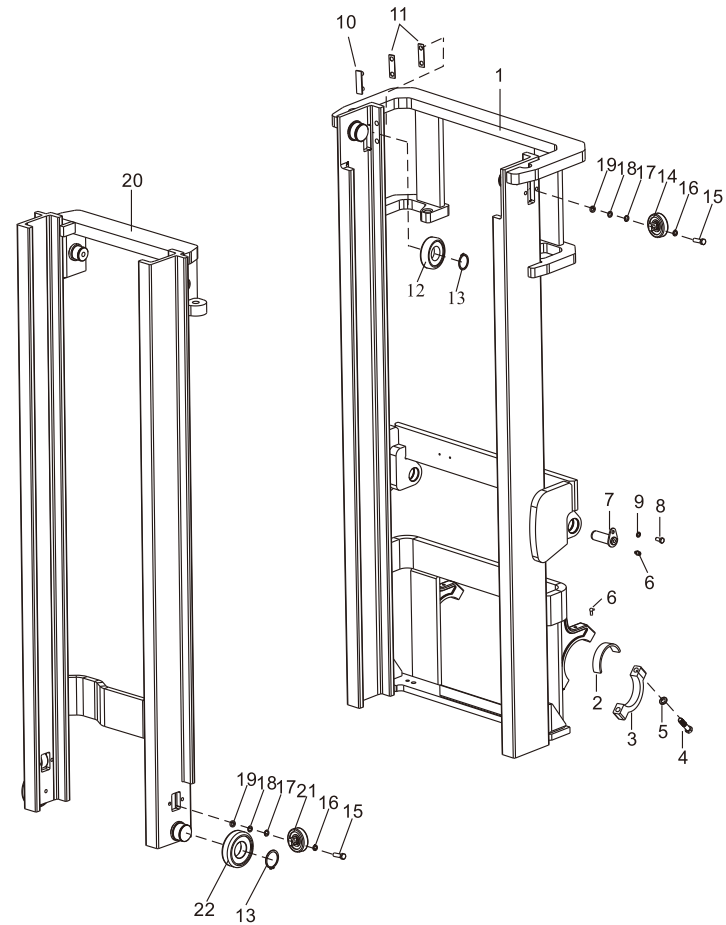
Mast (Normal mast KM)2-3t

序号 Item	Part No	Description	Q'ty	Remark
1	M30P3-10000	Mast,outer	1	3t
-	M20P3-10000	Mast,outer	1	2-2.5t
2	M30A3-00002	Bushing	2	
3	M30A3-00001	Cap	2	
4	GB/T5785	M16×1.5×70 Bolt	4	
5	GB/T93	16 Washer,lock	4	
6	JB/T7940.1	Oil cup	4	
7	M30P3-80100	Pin axle	2	
8	GB/T5786	M10×1.25×20 Bolt	2	
9	GB/T93	10 Washer,lock	2	
10	M30A3-40001	Slipper	2	
11	M30A3-40002/3	Shim	2	
12	M30A3-40201	End Roller	2	
13	GB/T894.1	55 Snap,ring	4	
14	M30K3-40300	Side roller	2	
15	GB/T5786	M12×1.25×40 Bolt	4	
16	GB/T93	12 Washer,lock	4	
17	M30K3-40004	Shim	12	
18	M30K3-40005	Shim	8	
19	M30K3-40002	Spacer	4	
20	M30K3-30000	Mast,inner	1	3t
-	M20K3-30000	Mast,inner	1	2-2.5t
21	M30A3-30005-1	Shaft roller	2	
22	M30A3-40301	End Roller	2	
23	M30A3-40202-1	Side roller	2	
24	M30A3-40203-1	Loose slice	2	
25	M30A3-40302-1	Screw	2	
26	M30A3-40205-1	Dust-Proof ring	2	



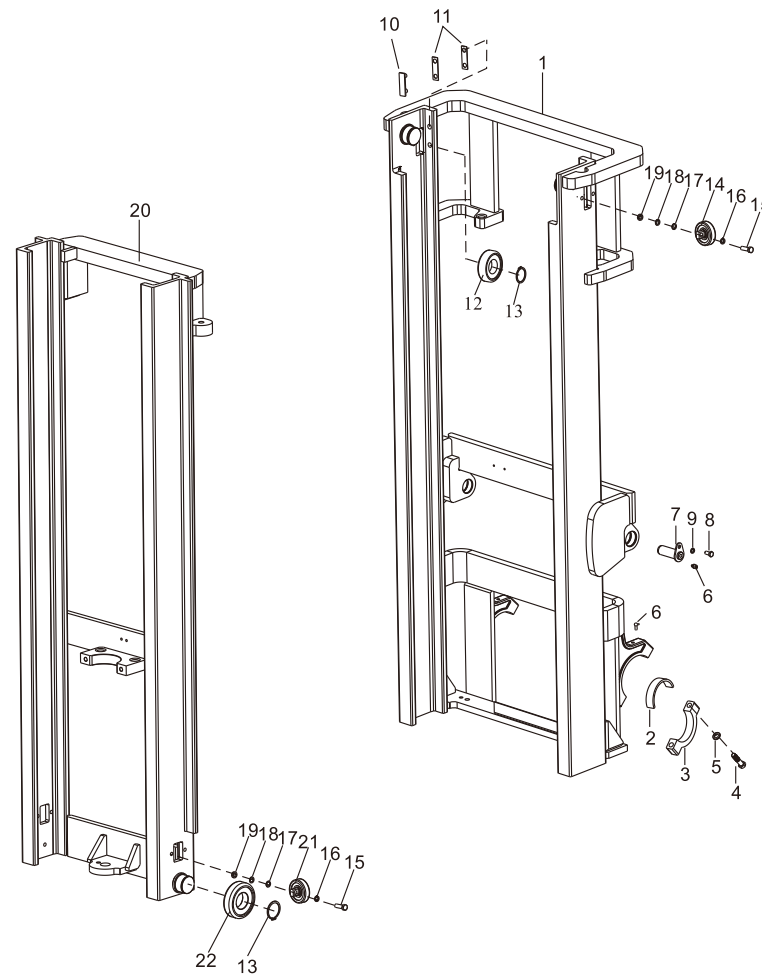
Mast (Normal mast KM) 3.5t

Item	Part No	Description	Q'ty	Remark
1	M35P3-10000	Mast,outer	1	
2	M30A3-00002	Bushing	2	
3	M30A3-00001	Cap	2	
4	GB/T5785	M16×1.5×70 Bolt	4	
5	GB/T93		4	
6	JB/T7940.1	Oil cup	4	
7	M30P3-80100	Pin axle	2	
8	GB/T5786	M10×1.25×20 Bolt	2	
9	GB/T93		2	
10	M30A3-40001	Slipper	2	
11	M30A3-40002/3	Shim	2	
12	M30A3-40201	End Roller	2	
13	GB/T894.1	55 Snap,ring	4	
14	M30K3-40300	Side roller	2	
15	GB/T5786	M12×1.25×40 Bolt	8	
16	GB/T93		8	
17	M30K3-40004	Shim	12	
18	M30K3-40005	Shim	12	
19	M30K3-40002	Spacer	8	
20	M35J3-30000	Mast,inner	1	
21	M30K3-40100	Side roller	2	
22	M30A3-40301	End Roller	2	



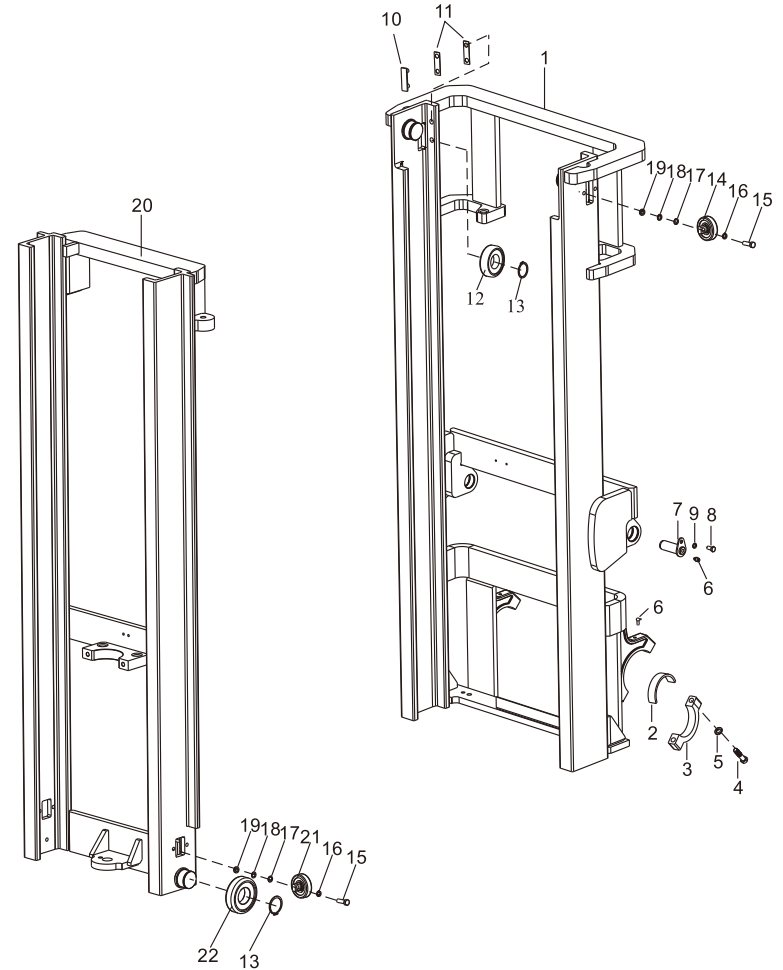
Mast (Full free 2-stage mast KZM)2-3t

Item	Part No	Description	Q'ty	Remark
1	Z30P3-10000	Mast,outer	1	3t
-	Z20P3-10000	Mast,outer	1	2-2.5t
2	M30A3-00002	Bushing	2	
3	M30A3-00001	Cap	2	
4	GB/T5785	M16×1.5×70 Bolt	4	
5	GB/T93	16 Washer,lock	4	
6	JB/T7940.1	Oil cup	4	
7	M30P3-80100	Pin axle	2	
8	GB/T5786	M10×1.25×20 Bolt	2	
9	GB/T93	10 Washer,lock	2	
10	M30A3-40001	Slipper	2	
11	M30A3-40002/3	Shim	2	
12	M30A3-40201	End Roller	2	
13	GB/T894.1	55 Snap,ring	4	
14	M30K3-40300	Side roller	2	
15	GB/T5786	M12×1.25×40 Bolt	4	
16	GB/T93	12 Washer,lock	4	
17	M30K3-40004	Shim	12	
18	M30K3-40005	Shim	8	
19	M30K3-40002	Spacer	4	
20	Z30K3-30000	Mast,inner	1	3t
-	Z20K3-30000	Mast,inner	1	2-2.5t
21	M30A3-30005-1	Shaft roller	2	
22	M30A3-40301	End Roller	2	
23	M30A3-40202-1	Side roller	2	
24	M30A3-40203-1	Loose slice	2	
25	M30A3-40302-1	Screw	2	
26	M30A3-40205-1	Dust-Proof ring	2	



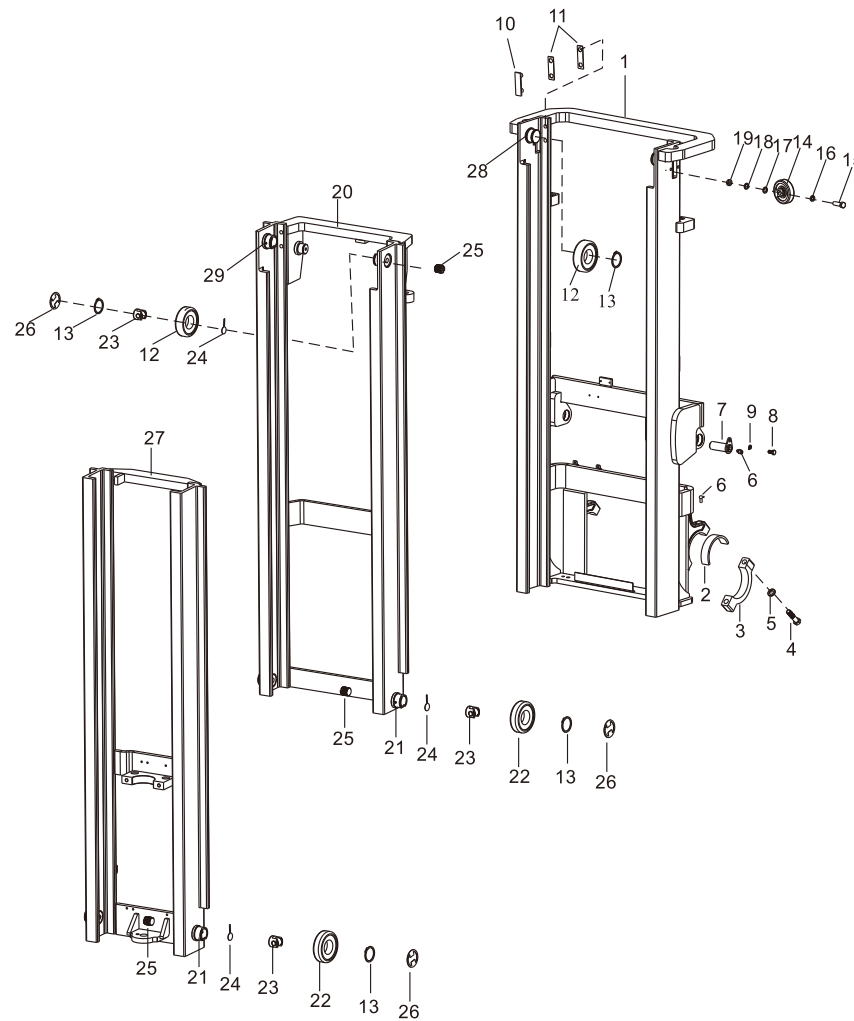
Mast (Full free 2-stage mast KZM) 3.5t

Item	Part No	Description	Q'ty	Remark
1	Z35P3-10000	Mast,outer	1	
2	M30A3-00002	Bushing	2	
3	M30A3-00001	Cap	2	
4	GB/T5785	M16×1.5×70 Bolt	4	
5	GB/T93		4	
6	JB/T7940.1	Oil cup	4	
7	M30P3-80100	Pin axle	2	
8	GB/T5786	M10×1.25×20 Bolt	2	
9	GB/T93		2	
10	M30A3-40001	Slipper	2	
11	M30A3-40002/3	Shim	2	
12	M30A3-40201	End Roller	2	
13	GB/T894.1	55 Snap,ring	4	
14	M30K3-40300	Side roller	2	
15	GB/T5786	M12×1.25×40 Bolt	8	
16	GB/T93		8	
17	M30K3-40004	Shim	12	
18	M30K3-40005	Shim	12	
19	M30K3-40002	Spacer	8	
20	Z35J3-30000	Mast,inner	1	
21	M30K3-40100	Side roller	2	
22	M30A3-40301	End Roller	2	



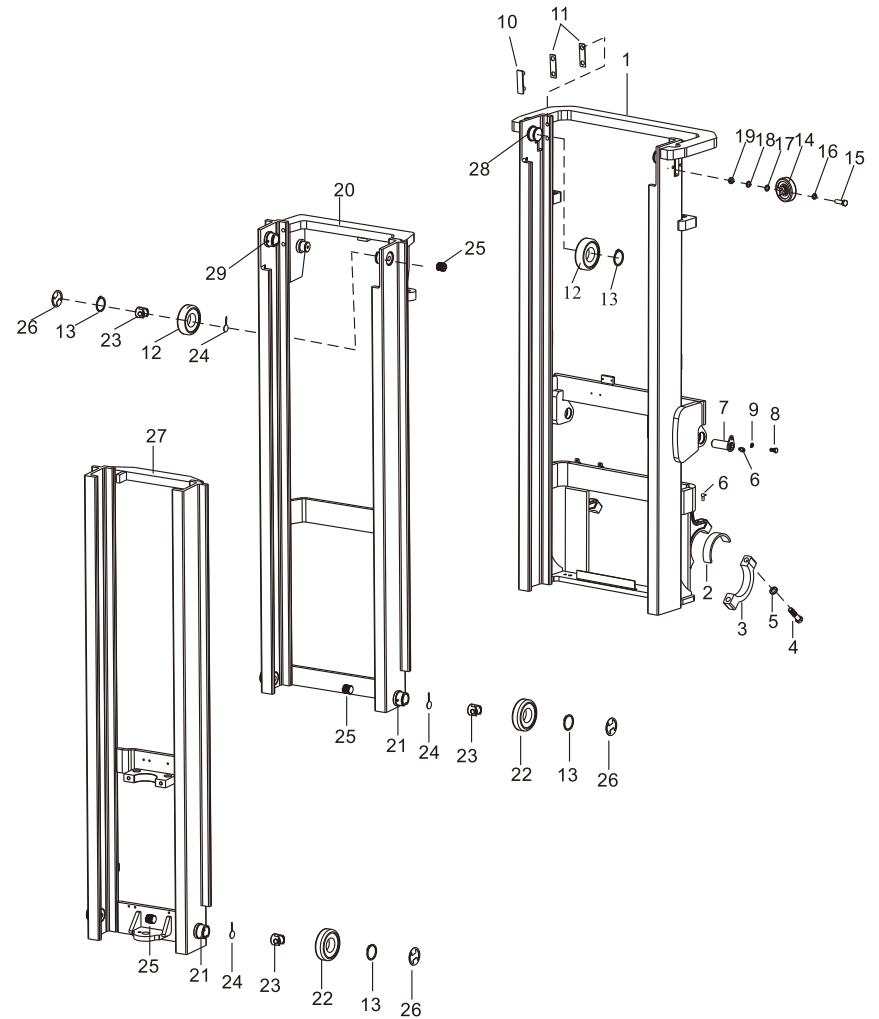
Mast (Full free 3-stage mast KZM)2-3t

Item	Part No	Description	Q'ty	Remark
1	S30P3-10000	Mast,outer	1	3t
-	S20P3-10000	Mast,outer	1	2-2.5t
2	M30A3-00002	Bushing	2	
3	M30A3-00001	Cap	2	
4	GB/T5785	M16×1.5×70 Bolt	4	
5	GB/T93		4	
6	JB/T7940.1	Oil cup	4	
7	M30P3-80100	Pin axle	2	
8	GB/T5786	M10×1.25×20 Bolt	2	
9	GB/T93		2	
10	M30A3-40001	Slipper	4	
11	M30A3-40002/3	Shim	4	
12	M30A3-40201	End Roller	4	
13	GB/T894.1	55 Snap,ring	8	
14	M30K3-40300	Side roller	2	
15	GB/T5786	M12×1.25×40 Bolt	4	
16	GB/T93		4	
17	M30K3-40004	Shim	12	
18	M30K3-40005	Shim	8	
19	M30K3-40002	Spacer	4	
20	S30J3-20000	Medium Master	1	3t
-	S20J3-20000	Medium Master	1	2-2.5t
21	M30A3-30005-1	Shaft roller	4	
22	M30A3-40301	End Roller	4	
23	M30A3-40202-1	Side roller	6	
24	M30A3-40203-1	Loose slice	6	
25	M30A3-40302-1	Screw	6	
26	M30A3-40205-1	Dust-Proof ring	6	
27	S30J3-30000	Mast,inner	1	3t
-	S20J3-30000	Mast inner	1	2-2.5t



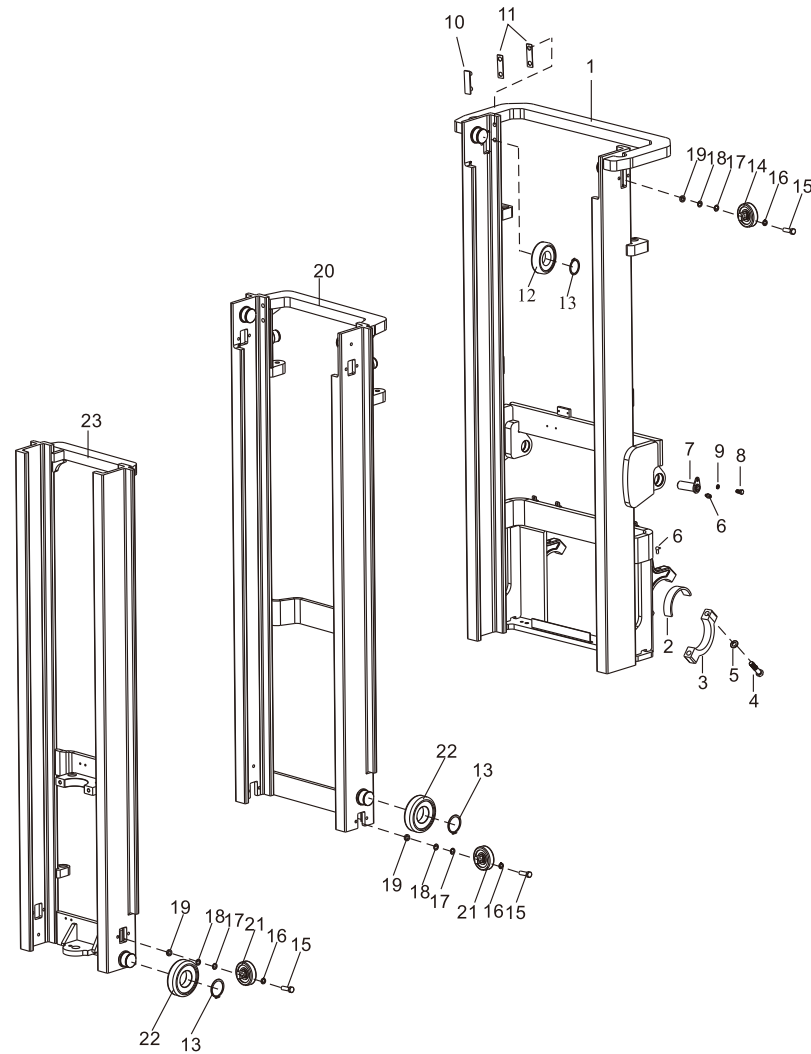
Mast (Full free 3-stage mast KZM)2-3t

Item	Part No	Description	Q'ty	Remark
28	M30K3-10003	Shaft roller	2	
29	M30A3-10002-1	Shaft roller	2	



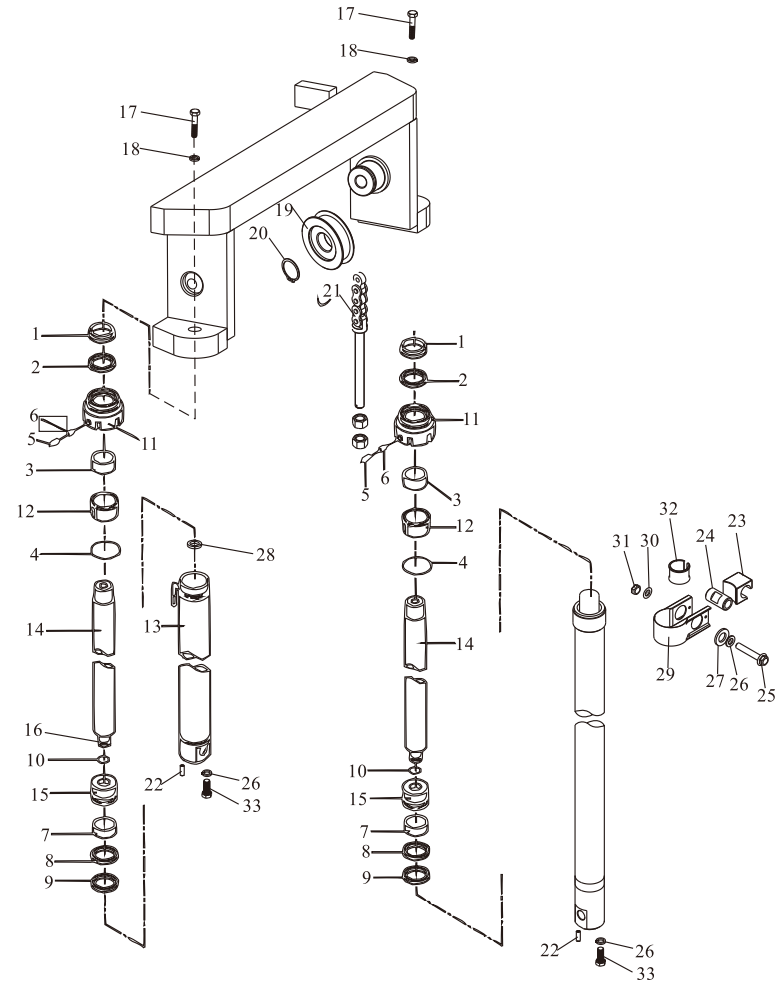
Mast (Full free 3-stage mast KZM)3.5t

Item	Part No	Description	Q'ty	Remark
1	S35P3-10000	Mast,outer	1	
2	M30A3-00002	Bushing	2	
3	M30A3-00001	Cap	2	
4	GB/T5785	M16×1.5×70 Bolt	4	
5	GB/T93		4	
6	JB/T7940.1	Oil cup	4	
7	M30P3-80100	Pin axle	2	
8	GB/T5786	M10×1.25×20 Bolt	2	
9	GB/T93		2	
10	M30A3-40001	Slipper	4	
11	M30A3-40002/3	Shim	4	
12	M30A3-40201	End Roller	4	
13	GB/T894.1	55 Snap,ring	8	
14	M30K3-40300	Side roller	2	
15	GB/T5786	M12×1.25×40 Bolt	16	
16	GB/T93		16	
17	M30K3-40004	Shim	24	
18	M30K3-40005	Shim	24	
19	M30K3-40002	Spacer	16	
20	S35J3-20000	Medium Master	1	
21	M30K3-40100	Side roller	4	
22	M30A3-40301	End Roller	4	
23	S35J3-30000	Mast,inner	1	



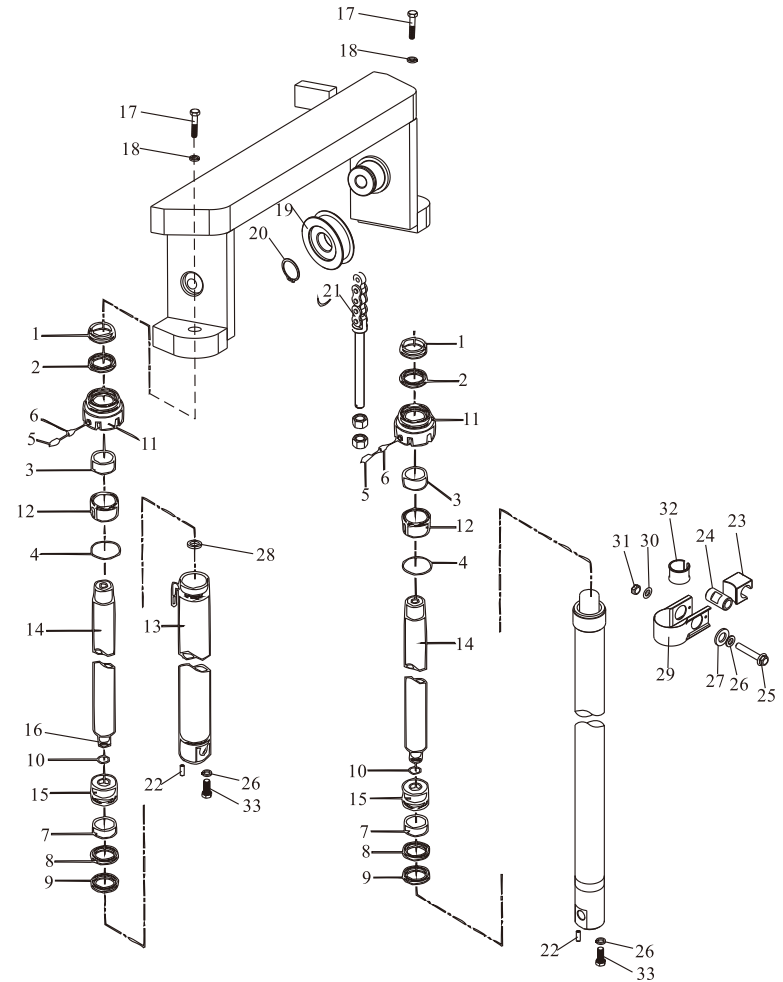
Lift Cylinder(Normal Mast KM)2-3t

Item	Part No	Description	Q'ty	Remark
A	A30B4-10100L/R	Lift cylinder ass,y	2	3t
-	A20B4-10100L/R	Lift cylinder ass,y	2	2-2.5t
1	A30A4-10101	45×57×7/10 Dust ring	2	3t
-	A20A4-10101	40×48×5/6.5 Dust ring	2	2-2.5t
2	A30A4-10102	45×55×6 Ring	2	3t
-	A20A4-10102	40×50×6 Ring	2	2-2.5t
3	A30A4-10103	4530 Guide bushing	2	3t
-	A20A4-10103	4030 Guide bushing	2	2-2.5t
4	GB/T1235	68×3.1 O-ring	2	
5	GB/T80	M8×8 Screw	4	
6	A30A4-10104	Plug	4	
7	A30A4-10105	56×20×2.5 Wearing	2	3t
-	A20A4-10105	50×20×2.5 Wearing	2	2-2.5t
8	A30A4-10106	56×45×3 Ring, back up	2	3t
-	A20A4-10106	50×40×3 Ring, back up	2	2-2.5t
9	A30A4-10107	56×45×7 U-ring	2	3t
-	A20A4-10107	50×40×6 Ring	2	2-2.5t
10	A30A4-10108	Snap ring	2	
11	A30A4-10109	Guide,Sleeve	2	3t
-	A20A4-10109	Cap, lift cylinder	2	2-2.5t
12	A30A4-10110	Sleeve	2	3t
-	A20A4-10110	Sleeve	2	2-2.5t
13	A30B4-10101	Cylinder	2	3t
-	A20B4-10101	Cylinder	2	2-2.5t
14	A30B4-10102	Piston rod	2	3t
-	A20B4-10102	Piston rod	2	2-2.5t
15	A30A4-10113	Piston	2	3t
-	A20A4-10113	Piston	2	2-2.5t
16	A30A4-10114	Spacer	2	3t
-	A20A4-10114	Spacer	2	2-2.5t



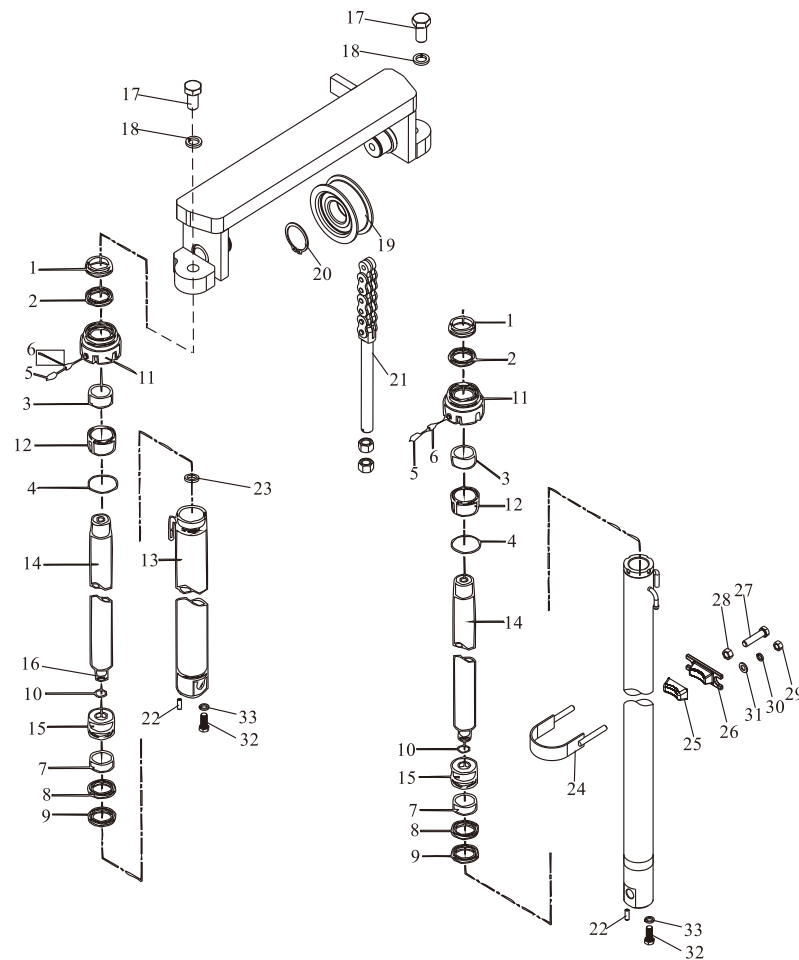
Lift Cylinder(Normal Mast KM)2-3t

Item	Part No	Description	Q'ty	Remark
17	GB/T5786	M16×1.5×45 Bolt	2	
18	GB/T93		2	
19	M30A3-80100	Sheave	2	
20	GB/T894.1	40 Snap ring	2	
21	LH1623×N	Chain ass'y	2	
22	GB/T119.1	D10×26 Pin	2	
23	S30F3-80004	Block rubber	2	
24	S30F3-80003	Casing	2	
25	GB/T5786	M12×1.25×70 Bolt	2	
26	GB/T93		4	
27	S30F3-80005	Bolster	2	
28	S30A3-80001	Adjustable pad	2	
29	S30F3-80002	Clip	2	
30	GB/T97.1		2	
31	GB/T6171	M12×1.25 Nut	2	
32	M20F3-80001	Rubber pad	2	2-2.5t
33	GB/T5786	M12×1.25×35 Bolt	2	



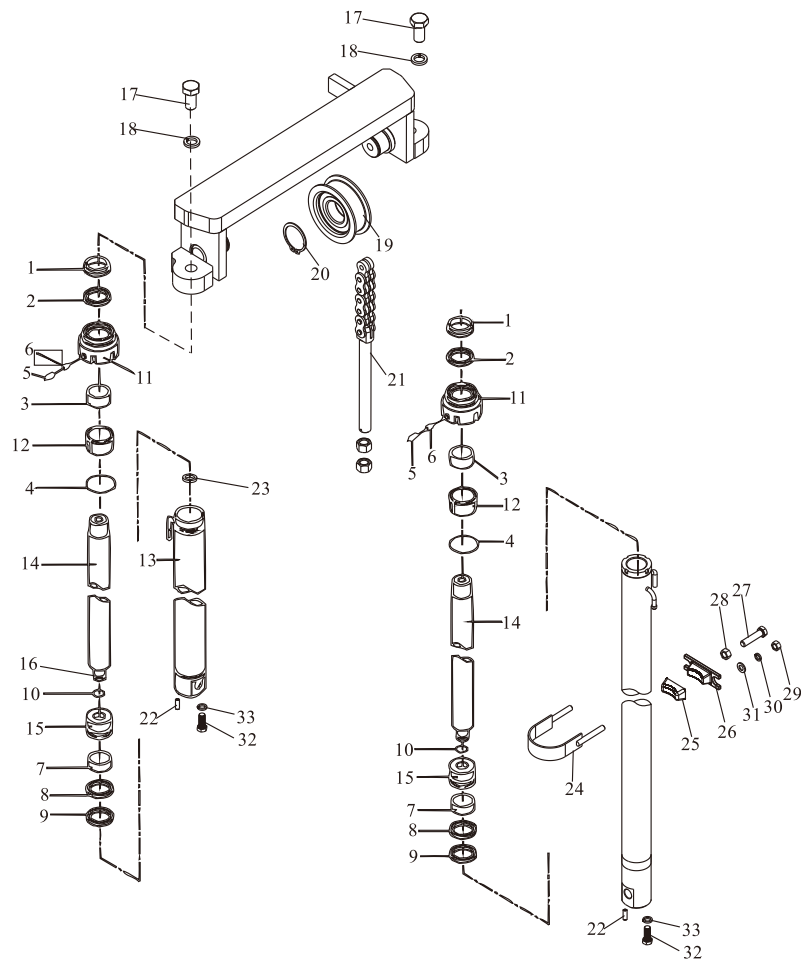
Lift Cylinder(Normal Mast KM)3.5t

Item	Part No	Description	Q'ty	Remark
A	A35B4-10100L/R	Lift cylinder ass,y	2	
1	A35A4-10103	50×62×7/10 Dust ring	2	
2	A35A4-10104	50×60×6 Ring	2	
3	A35A4-10105	5040 Guide bushing	2	
4	GB/T1235	75×3.1 O-ring	2	
5	GB/T80	M8×8 Screw	4	
6	A35A4-10106	6×3 Plug	4	
7	A35A4-10107	60×20×2.5 Wearing	2	
8	A35A4-10108	63×53×3 Ring, back up	2	
9	A35A4-10109	63×53×6 Ring	2	
10	A35A4-10110	Snap ring	2	
11	A35A4-10111	Cap, lift cylinder	2	
12	A35A4-10112	Sleeve	2	
13	A35B4-10101	Cylinder	2	
14	A35B4-10102	Piston rod	2	
15	A35A4-10113	Piston	2	
16	A35A4-10114	Spacer	2	
17	GB/T5786	M20×1.5×50 Bolt	2	
18	GB/T93		2	
19	M35A3-80100	Sheave	2	
20	GB/T894.1	45 Snap ring	2	
21	LH1634×N	Chain ass'y	2	
22	GB/T119.1	D10×26 Pin	2	
23	S30A3-80001	Adjustable pad	2	
24	M35K3-80100	Oil cylinder hoop	2	
25	M30A3-80002	Spacer	2	
26	M30A3-80003	Support	2	
27	GB/T5786	M12×1.25×50 Bolt	2	
28	GB/T6171	M12×1.25 Nut	2	
29	GB/T6170	M10 Nut	4	



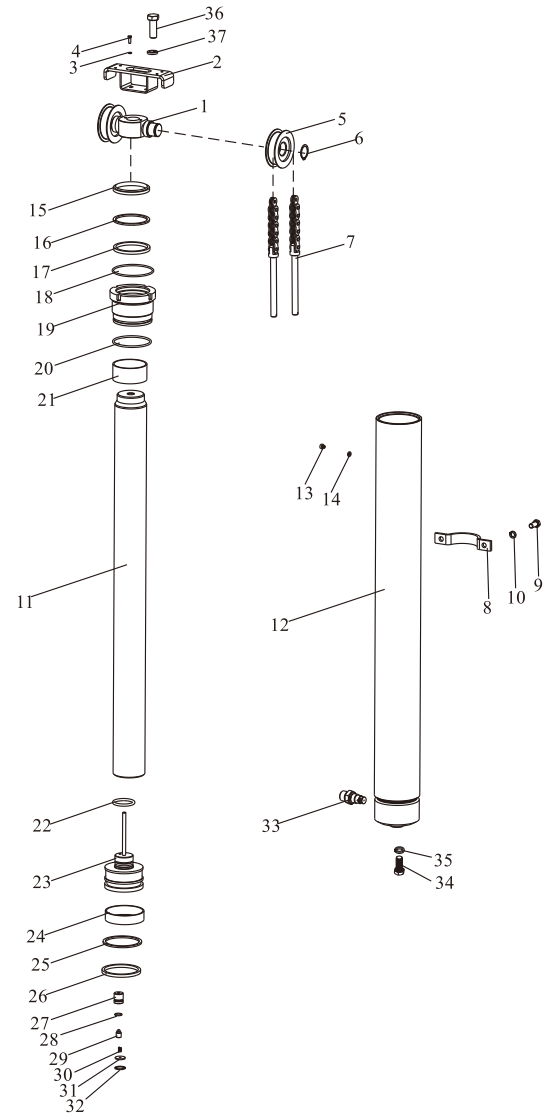
Lift Cylinder(Normal Mast KM)3.5t

Item	Part No	Description	Q'ty	Remark
30	GB/T93	M12×1.25×35 Bolt	4	
31	GB/T97.1		4	
32	GB/T5786		2	
33	GB/T93		2	



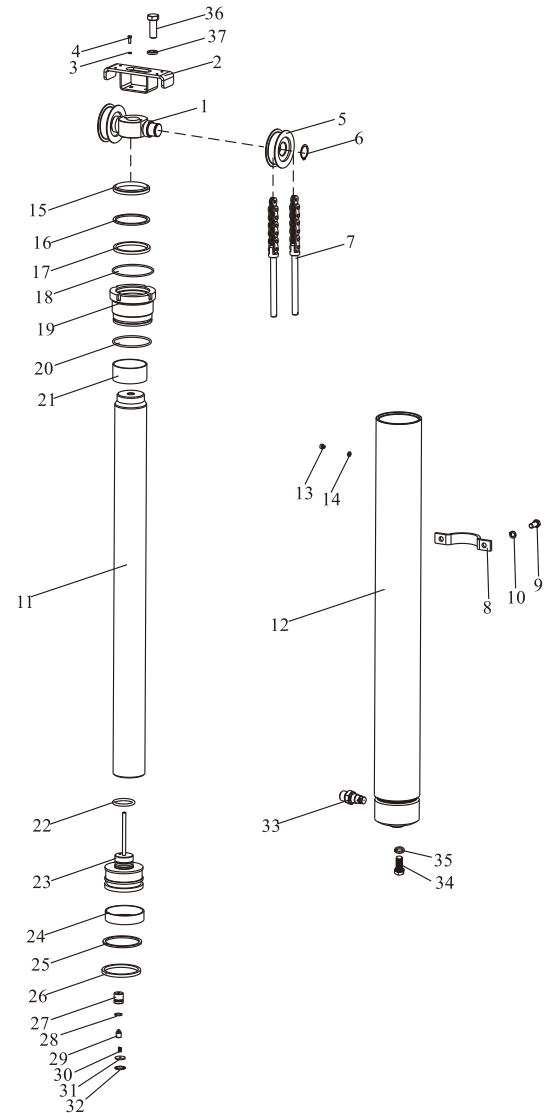
Front Lift Cylinder (Full Free 2-Stage Mast KZM)

Item	Part No	Description	Q'ty	Remark
A	A30B4-10300	Front lift cylinder ass'y	1	3t
-	A20B4-10300	Front lift cylinder ass'y	1	2-2.5t
-	A35B4-10300	Front lift cylinder ass'y	1	3.5t
1	S30K3-80100	Sheave Seat	1	2-3t
-	S35K3-80100	Sheave Seat	1	3.5t
2	S30K3-80200	Stopper chain	1	2-3t
-	S35K3-80200	Stopper chain	1	3.5t
3	GB/T93		2	
4	GB/T5783	M8×16 Bolt	2	
5	M30A3-80100	Sheave	2	2-3t
-	M35A3-80100	Sheave	2	3.5t
6	GB/T894.1	40 Snap ring	2	
7	LH1623×N	Chain ass'y	2	2-3t
-	LH1634×N	Chain ass'y	2	3.5t
8	S35K3-80001	Support	1	3t
-	S20K3-80001	Support	1	2-2.5t
-	Z35K3-80001	Support	1	3.5t
9	GB/T5783	M14×35 Bolt	2	
10	GB/T93		2	
11	A30B4-10301	Piston rod ass'y	1	
-	A20B4-10301	Piston rod ass'y	1	
-	A35B4-10301	Piston rod ass'y	1	
12	A30B4-10302	Cylinder	1	3t
-	A20B4-10302	Cylinder	1	2-2.5t
-	A35B4-10302	Cylinder	1	3.5t
13	GB/T6190	M6×5Screw	1	
14	A30B4-10303	Gasket	1	
15	A30B4-10304	70×80×6/8 Dust ring	1	3t
-	A20B4-10303	60×68×5/6.5 Dust ring	1	2-2.5t
-	A35B4-10303	75×85×6/8 Dust ring	1	3.5t



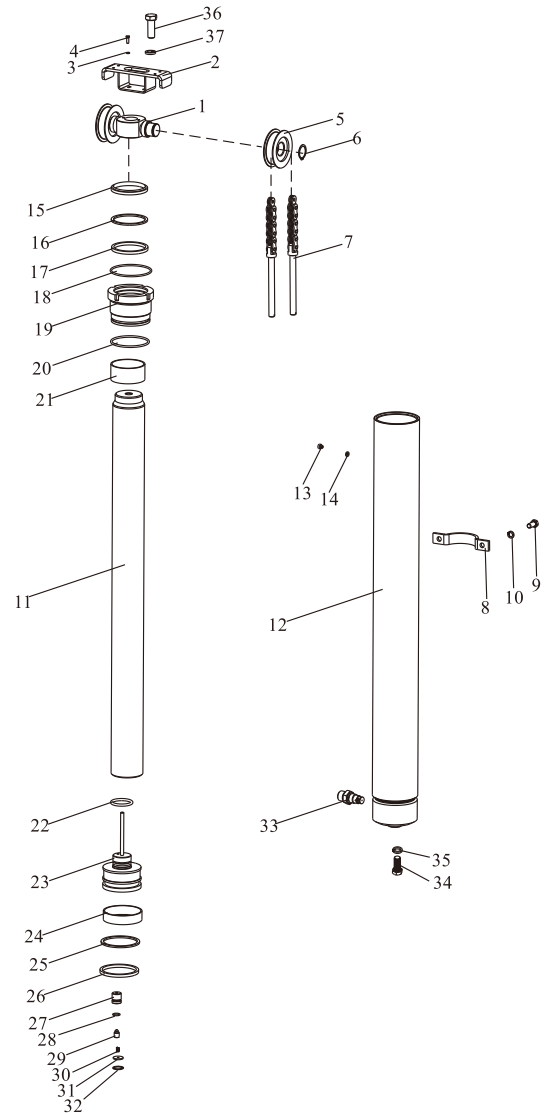
Front Lift Cylinder (Full Free 2-Stage Mast KZM)

Item	Part No	Description	Q'ty	Remark
16	A30B4-10305	80×70×3 Snap ring	1	3t
-	A20B4-10304	70×60×3 Snap ring	1	2-2.5t
-	A35B4-10304	85×75×3 Snap ring	1	3.5t
17	A30B4-10306	70×80×6 Ring	1	3t
-	A20B4-10305	60×70×6 Ring	1	2-2.5t
-	A35B4-10305	75×85×6 Ring	1	3.5t
18	GB/T1235	90×3.1 O-ring	1	3t
-	GB/T1235	80×3.1 O-ring	1	2-2.5t
-	GB/T1235	100×3.1 O-ring	1	3.5t
19	A30B4-10307	Guide sleeve	1	3t
-	A20B4-10306	Guide sleeve	1	2-2.5t
-	A35B4-10306	Guide sleeve	1	3.5t
20	GB/T1235	85×3.1 O-ring	1	3t
-	GB/T1235	75×3.1 O-ring	1	2-2.5t
-	GB/T1235	95×3.1 O-ring	1	3.5t
21	A30B4-10308	Guide bushing	1	3t
-	A20B4-10307	Guide bushing	1	2-2.5t
-	A35B4-10307	Guide bushing	1	3.5t
22	A30B4-10309	Snap ring	1	3t
-	A20B4-10308	Snap ring	1	2-2.5t
-	A35B4-10308	Snap ring	1	3.5t
23	A30B4-10310	Piston	1	3t
-	A20B4-10309	Piston	1	2-2.5t
-	A35B4-10309	Piston	1	3.5t
24	A30B4-10311	85×20×2.5 Backup ring	1	3t
-	A20B4-10310	75×20×2.5 Backup ring	1	2-2.5t
-	A35B4-10310	95×20×2.5 Backup ring	1	3.5t
25	A30B4-10312	85×75×3 Stopper	1	3t
-	A20B4-10311	75×65×3 Stopper	1	2-2.5t
-	A35B4-10311	95×85×3 Stopper	1	3.5t



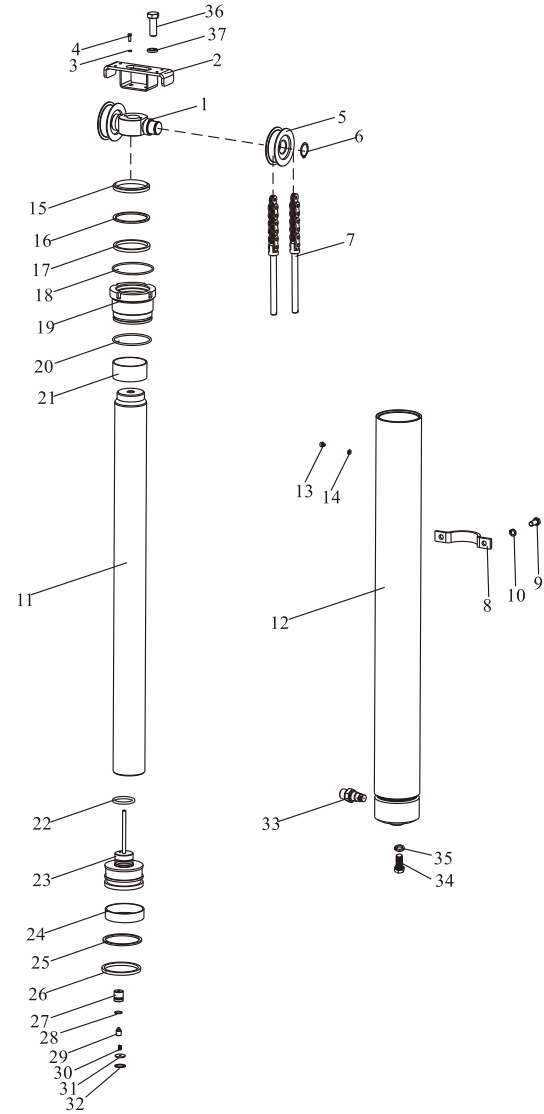
Front Lift Cylinder (Full Free 2-Stage Mast KZM)

Item	Part No	Description	Q'ty	Remark
26	A30B4-10313	85×75×6 Sear ring	1	3t
-	A20B4-10312	75×65×6 Sear ring	1	2-2.5t
-	A35B4-10312	95×80×9 Sear ring	1	3.5t
27	A30B4-10313	Spool	1	
28	GB/T1235	20×2.4 O-ring	1	
29	A30A4-10314	Spring	1	
30	A30B4-10315	Spool	1	
31	A30B4-10316	Catch	1	
32	A30B4-10317	Stopper	1	
33	A30B4-10300-01	Explosion-proof valve	1	3t
-	A20B4-10300-01	Explosion-proof valve	1	2-2.5t
-	A35B4-10300-01	Explosion-proof valve	1	3.5t
34	GB/T5786	M12×1.25×35 Bolt	1	
35	GB/T93	M16×55 Bolt	1	
36	GB/T5786	M16×55 Bolt	1	
37	GB/T93	M16×55 Bolt	1	



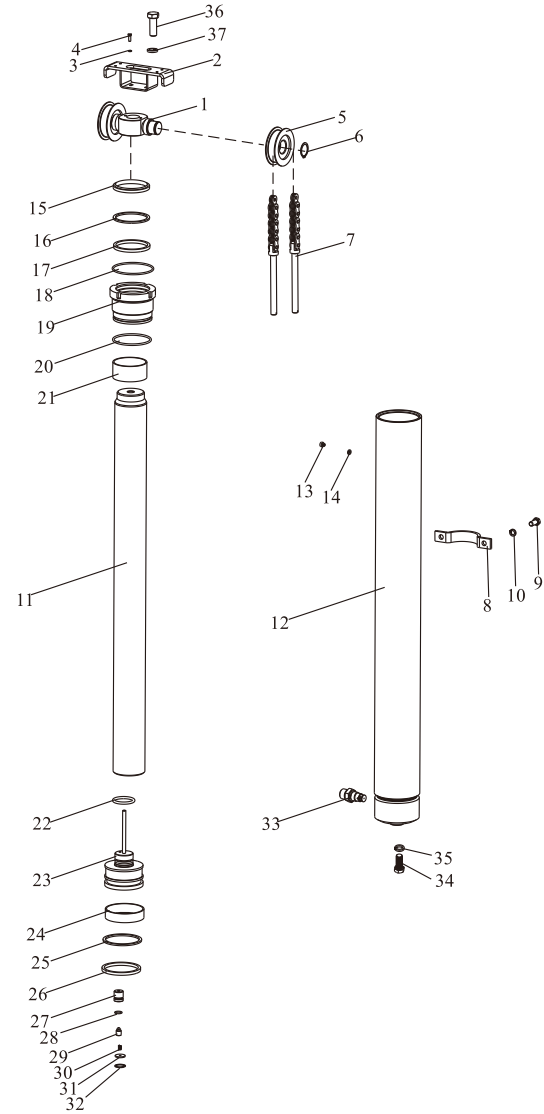
Front Lift Cylinder (Full Free 3-Stage Mast KZM)

Item	Part No	Description	Q'ty	Remark
A	A30B4-10500	Front lift cylinder ass'y	1	3t
-	A20B4-10500	Front lift cylinder ass'y	1	2-2.5t
-	A35B4-10500	Front lift cylinder ass'y	1	3.5t
1	S30K3-80100	Sheave Seat	1	2-3t
-	S35K3-80100	Sheave Seat	1	3.5t
2	S30K3-80200	Stopper chain	1	2-3t
-	S35K3-80200	Stopper chain	1	3.5t
3	GB/T93		2	
4	GB/T5783	M8×16 Bolt	2	
5	M30A3-80100	Sheave	2	2-3t
-	M35A3-80100	Sheave	2	3.5t
6	GB/T894.1	40 Snap ring	2	
7	LH1623×N	Chain ass'y	2	2-3t
-	LH1634×N	Chain ass'y	2	3.5t
8	S35K3-80001	Support	1	3-3.5t
-	S20K3-80001	Support	1	2-2.5t
9	GB/T5783	M14×35 Bolt	2	
10	GB/T93		2	
11	A30B4-10501	Piston rod ass'y	1	
-	A20B4-10501	Piston rod ass'y	1	
-	A35B4-10501	Piston rod ass'y	1	
12	A30B4-10502	Cylinder	1	3t
-	A20B4-10502	Cylinder	1	2-2.5t
-	A35B4-10502	Cylinder	1	3.5t
13	GB/T6190	M6×5Screw	1	
14	A30B4-10303	Gasket	1	
15	A30B4-10304	70×80×6/8 Dust ring	1	3t
-	A20B4-10303	60×68×5/6.5 Dust ring	1	2-2.5t
-	A35B4-10303	75×85×6/8 Dust ring	1	3.5t
16	A30B4-10305	80×70×3 Snap ring	1	3t



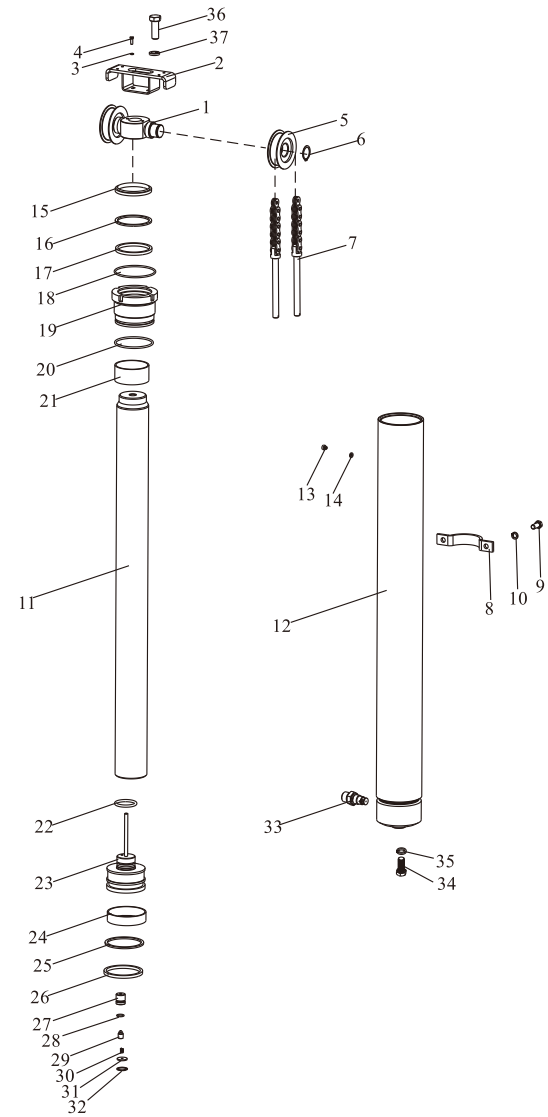
Front Lift Cylinder (Full Free 3-Stage Mast KZM)

Item	Part No	Description	Q'ty	Remark
-	A20B4-10304	70×60×3 Snap ring	1	2-2.5t
-	A35B4-10304	85×75×3 Snap ring	1	3.5t
17	A30B4-10306	705×80×6 Ring	1	3t
-	A20B4-10305	60×70×6 Ring	1	2-2.5t
-	A35B4-10305	75×85×6 Ring	1	3.5t
18	GB/T1235	90×3.1 O-ring	1	3t
-	GB/T1235	80×3.1 O-ring	1	2-2.5t
-	GB/T1235	100×3.1 O-ring	1	3.5t
19	A30B4-10307	Guide sleeve	1	3t
-	A20B4-10306	Guide sleeve	1	2-2.5t
-	A35B4-10306	Guide sleeve	1	3.5t
20	GB/T1235	85×3.1 O-ring	1	3t
-	GB/T1235	75×3.1 O-ring	1	2-2.5t
-	GB/T1235	95×3.1 O-ring	1	3.5t
21	A30B4-10308	Guide bushing	1	3t
-	A20B4-10307	Guide bushing	1	2-2.5t
-	A35B4-10307	Guide bushing	1	3.5t
22	A30B4-10309	Snap ring	1	3t
-	A20B4-10308	Snap ring	1	2-2.5t
-	A35B4-10308	Snap ring	1	3.5t
23	A30B4-10310	Piston	1	3t
-	A20B4-10309	Piston	1	2-2.5t
-	A35B4-10309	Piston	1	3.5t
24	A30B4-10311	85×20×2.5Backup ring	1	3t
-	A20B4-10310	75×20×2.5Backup ring	1	2-2.5t
-	A35B4-10310	95×20×2.5Backup ring	1	3.5t
25	A30B4-10312	85×75×3 Stopper	1	3t
-	A20B4-10311	75×65×3 Stopper	1	2-2.5t
-	A35B4-10311	95×85×3 Stopper	1	3.5t
26	A30B4-10313	85×75×6 Sear ring	1	3t



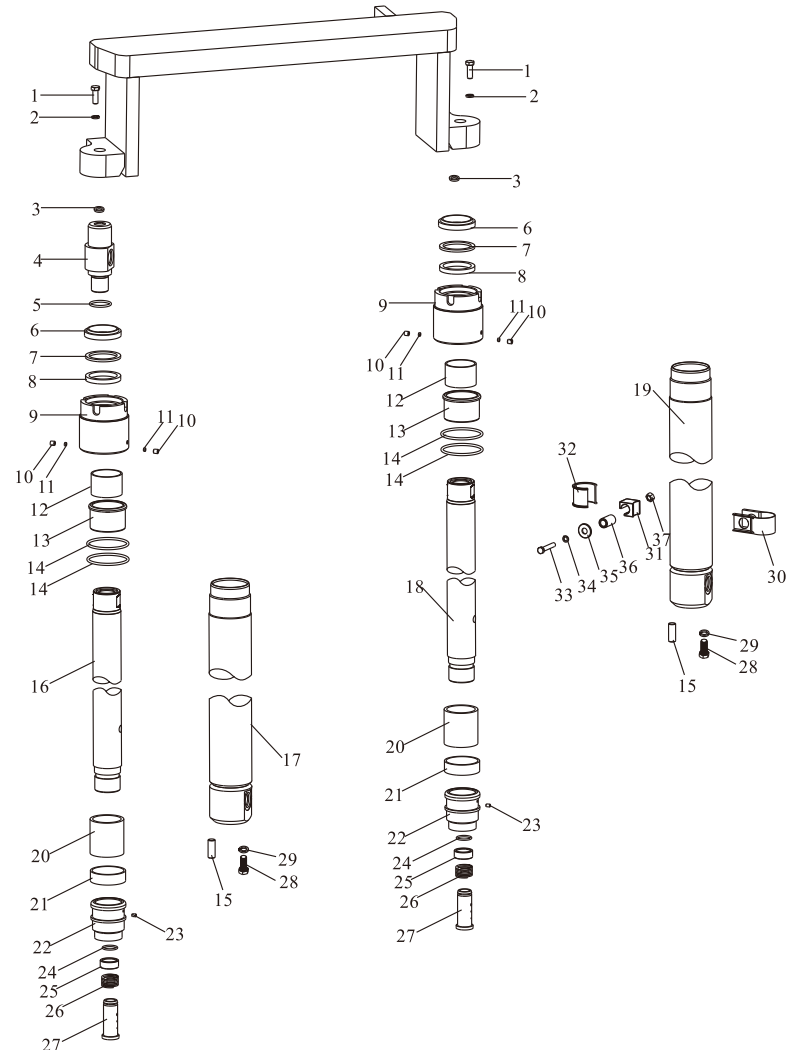
Front Lift Cylinder (Full Free 3-Stage Mast KZM)

Item	Part No	Description	Q'ty	Remark
-	A20B4-10312	75×65×6 Sear ring	1	2-2.5t
-	A35B4-10312	95×80×9 Sear ring	1	3.5t
27	A30B4-10313	Spool	1	
28	GB/T1235	20×2.4 O-ring	1	
29	A30A4-10314	Spring	1	
30	A30B4-10315	Spool	1	
31	A30B4-10316	Catch	1	
32	A30B4-10317	Stopper	1	
33	A30B4-10500-01	Explosion-proof valve	1	3t
-	A20B4-10500-01	Explosion-proof valve	1	2-2.5t
-	A35B4-10500-01	Explosion-proof valve	1	3.5t
34	GB/T5786	M12×1.25×35 Bolt	1	
35	GB/T93	M16×55 Bolt	1	
36	GB/T5786	M16×55 Bolt	1	
37	GB/T93	M16×55 Bolt	1	



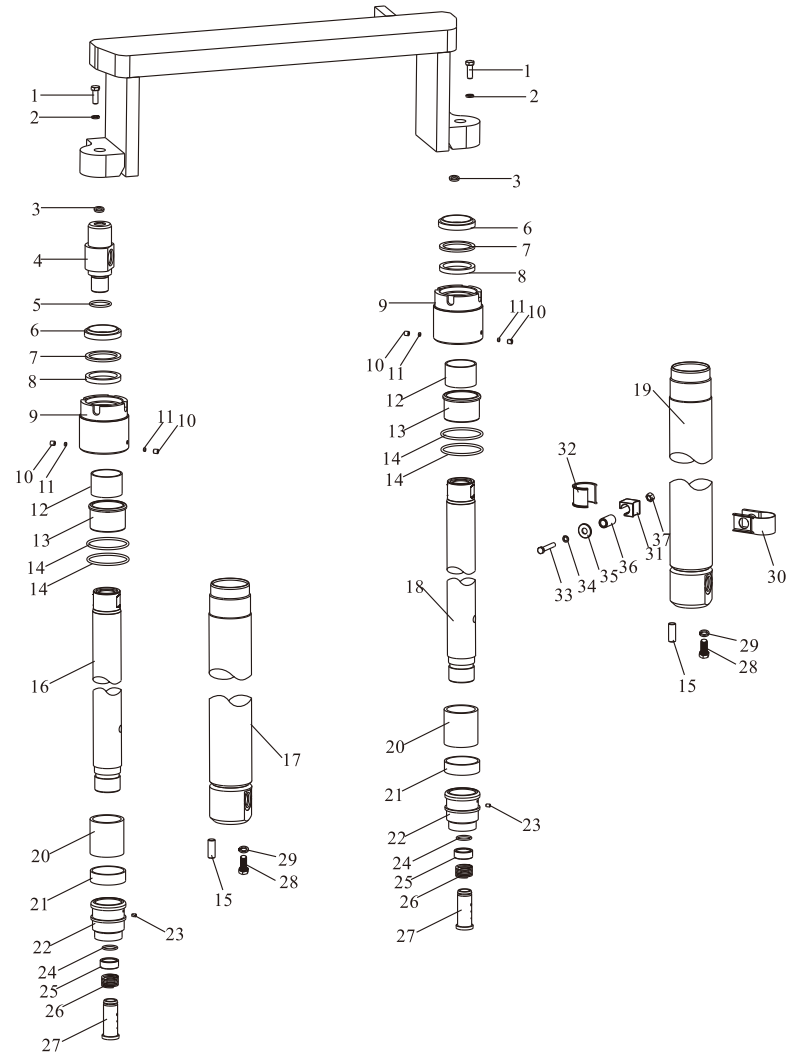
Rear Lift Cylinder (Full Free 2-Stage Mast KZM)

Item	Part No	Description	Q'ty	Remark
A	A30B4-10400L/R	Rear lift cylinder ass'y	2	3t
-	A20B4-10400L/R	Rear lift cylinder ass'y	2	2-2.5t
-	A35B4-10400L/R	Rear lift cylinder ass'y	2	3.5t
1	GB/T5786	M16×1.5×45 Bolt	2	
2	GB/T93		2	
3	S30A3-80001	Spacer	2	
4	A30B4-10401	Spacer	2	
-	A20B4-10401	Spacer	2	
-	A35B4-10401	Spacer	2	
5	GB/T1235	25×2.65 O-ring	1	3-3.5t
-	GB/T1235	26×2.4 O-ring	1	2-2.5t
6	A30B4-10402	40×52×7/10 Dust ring	2	3t
-	A20B4-10402	35×47×7/10 Dust ring	2	2-2.5t
-	A35B4-10402	45×57×7/10 Dust ring	2	3.5t
7	A30B4-10403	40×50×2 Ring, back up	2	3t
-	A20B4-10403	35×45×2 Ring, back up	2	2-2.5t
-	A35B4-10403	45×55×2 Ring, back up	2	3.5t
8	A30B4-10404	40×50×6 Ring	2	3t
-	A20B4-10404	35×45×6 Ring	2	2-2.5t
-	A35B4-10404	45×55×6 Rring	2	3.5t
9	A30B4-10405	Cap, lift cylinder	2	3t
-	A20B4-10405	Cap, lift cylinder	2	2-2.5t
-	A35B4-10405	Cap, lift cylinder	2	3.5t
10	GB/T80	M6×8 Screw	4	
11	A30B4-10406	Plug	4	
12	A30B4-10407	4030 Guide bushing	2	3t
-	A20B4-10406	3530 Guide bushing	2	2-2.5t
-	A35B4-10406	4530 Guide bushing	2	3.5t
13	A30B4-10408	Bushing	2	3t
-	A20B4-10407	Bushing	2	2-2.5t



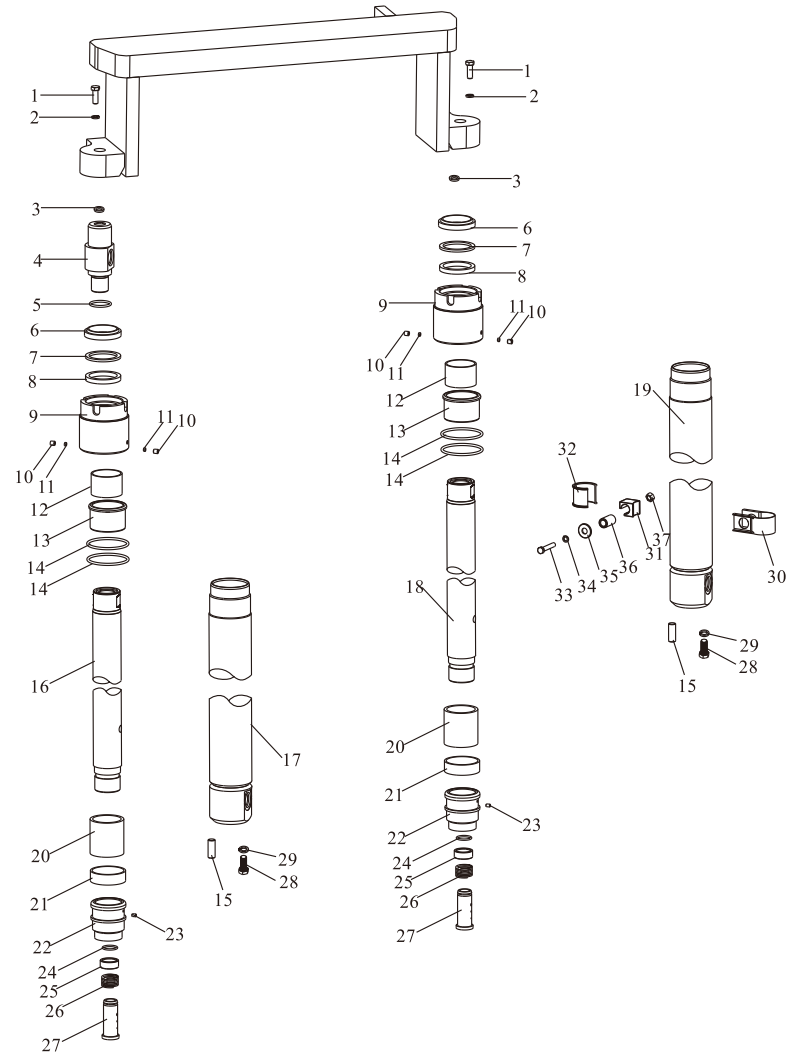
Rear Lift Cylinder (Full Free 2-Stage Mast KZM)

Item	Part No	Description	Q'ty	Remark
-	A35B4-10407	Bushing	2	3.5t
14	GB/T1235	49.1×3.1 O-ring	4	3t
-	GB/T1235	44.7×2.4 O-ring	4	2-2.5t
-	GB/T1235	54.4×3.1 O-ring	4	3.5t
15	GB/T119	D10×26 Pin	2	
16	A30B4-10409	Piston rod L.H.	1	3t
-	A20B4-10408	Piston rod L.H.	1	2-2.5t
-	A35B4-10408	Piston rod L.H.	1	3.5t
17	A30B4-10410	Cylinder L.H.	1	3t
-	A20B4-10409	Cylinder L.H.	1	2-2.5t
-	A35B4-10409	Cylinder L.H.	1	3.5t
18	A30B4-10411	Piston rod R.H.	1	3t
-	A20B4-10410	Piston rod R.H.	1	2-2.5t
-	A35B4-10410	Piston rod R.H.	1	3.5t
19	A30B4-10412	Cylinder R.H.	1	3t
-	A20B4-10411	Cylinder R.H.	1	2-2.5t
-	A35B4-10411	Cylinder R.H.	1	3.5t
20	A30B4-10413	Spacer	2	3t
-	A20B4-10412	Spacer	2	2-2.5t
-	A35B4-10412	Spacer	2	3.5t
21	A30B4-10414	45×50×15 Backup ring	2	3t
-	A20B4-10413	40×45×15 Backup ring	2	2-2.5t
-	A35B4-10413	56×51×20 Backup ring	2	3.5t
22	A30B4-10415	Piston	1	3t
-	A20B4-10414	Piston	1	2-2.5t
-	A35B4-10414	Piston	1	3.5t
23	GB/T80	M5×6 Screw	2	
24	A30B4-10416	20 Stopper	1	3-3.5t
-	A20B4-10415	18 Stopper	1	2-2.5t
25	A30B4-10417	Spacer	2	3-3.5t



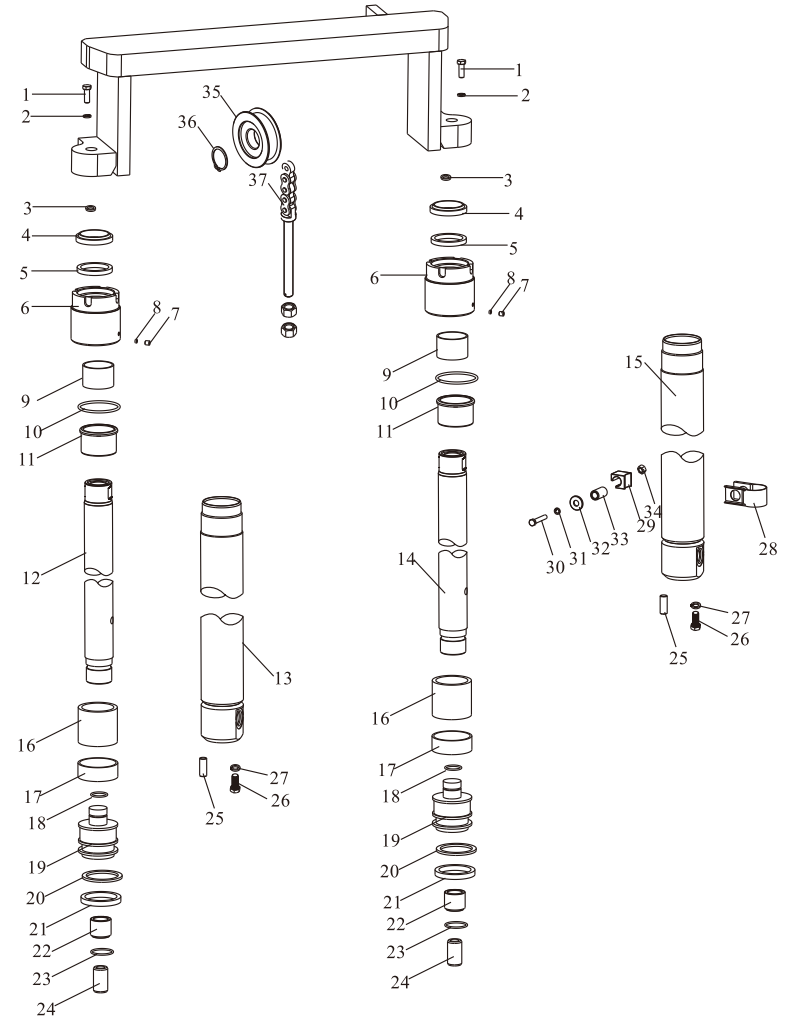
Rear Lift Cylinder (Full Free 2-Stage Mast KZM)

Item	Part No	Description	Q'ty	Remark
-	A20B4-10415	Spacer	2	2-2.5t
26	A30B4-10418	Spring	2	
27	A30B4-10419	Bumper stud	2	3-3.5t
-	A20B4-10416	Bumper stud	2	2-2.5t
28	GB/T5786	M12×1.25×35 Bolt	2	
29	GB/T93		2	
30	S30F3-80002	Clamp	2	
31	S30F3-80004	Rubber block	2	
32	M20F3-80001	Rubber pad	2	2-3t
33	GB/T5786	M12×1.25×70 Bolt	2	
34	GB/T93		2	
35	S30F3-80005	Bolster	2	
36	S30F3-80003	Casing	2	
37	GB/T6171	M12×1.25 Nut	2	



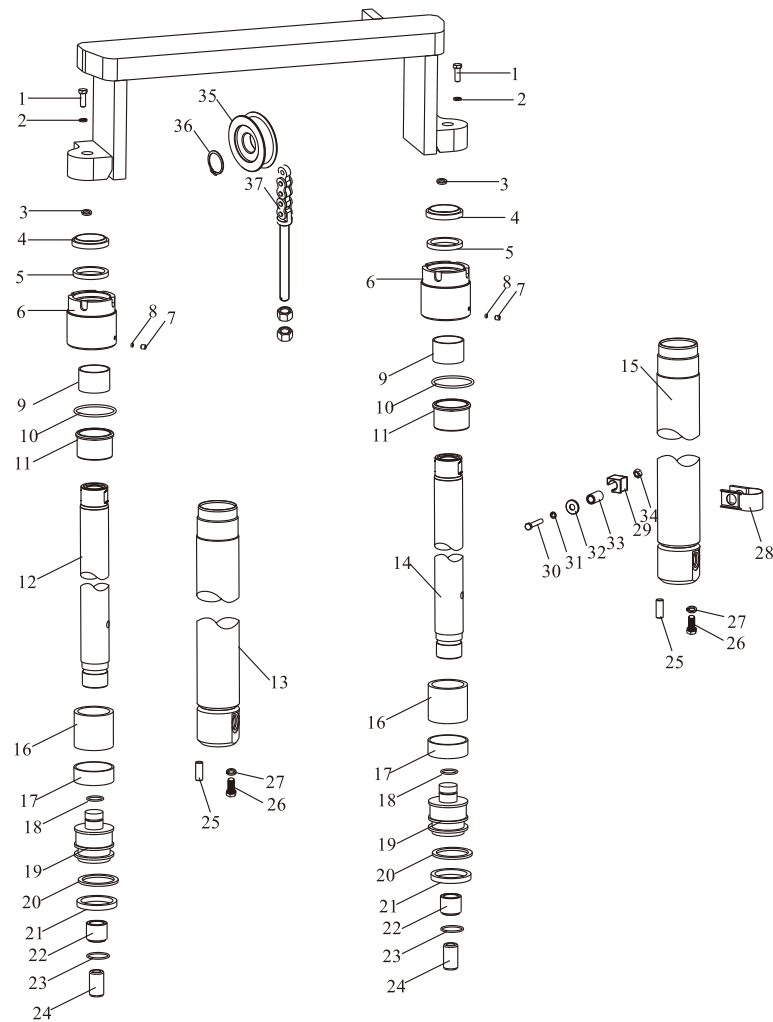
Rear Lift Cylinder (Full Free 3-Stage Mast KZM)2-3t

Item	Part No	Description	Q'ty	Remark
A	A30D4-10600L/R	Rear lift cylinder ass'y	2	3t
-	A20D4-10600L/R	Rear lift cylinder ass'y	2	2-2.5t
1	GB/T5786	M16×1.5×45 Bolt	2	
2	GB/T93		2	
3	S30A3-80001	Spacer	2	
4	A35B4-10402	45×57×7/10 Dust ring	2	3t
-	A30B4-10402	40×52×7/10 Dust ring	2	2-2.5t
5	A35B4-10404	45×55×6 U-ring	2	3t
-	A30B4-10404	40×50×6 Ring	2	2-2.5t
6	A30B4-10601	Cap, lift cylinder	2	3t
-	A20B4-10602	Cap, lift cylinder	2	2-2.5t
7	GB/T80	M8×8 Screw	2	
8	A30B4-10603	6×3 Nylon pad	2	
9	A35B4-10406	4530 Guide bushing	2	3t
-	A30B4-10407	4030 Guide bushing	2	2-2.5t
10	GB/T1235	68×3.1 O-ring	2	3t
-	GB/T1235	60×3.1 O-ring	2	2-2.5t
11	A30B4-10604	Bushing	2	3t
-	A20B4-10603	Bushing	2	2-2.5t
12	A30D4-10601	Piston rod L.H.	1	3t
-	A20D4-10601	Piston rod L.H.	1	2-2.5t
13	A30D4-10602	Cylinder L.H.	1	3t
-	A20D4-10602	Cylinder L.H.	1	2-2.5t
14	A30D4-10603	Piston rod R.H.	1	3t
-	A20D4-10603	Piston rod R.H.	1	2-2.5t
15	A30D4-10604	Cylinder R.H.	1	3t
-	A20D4-10604	Cylinder R.H.	1	2-2.5t
16	A30B4-10609	Spacer	2	3t
-	A20B4-10608	Spacer	2	2-2.5t
17	A30B4-10610	24×2 Stopper	1	



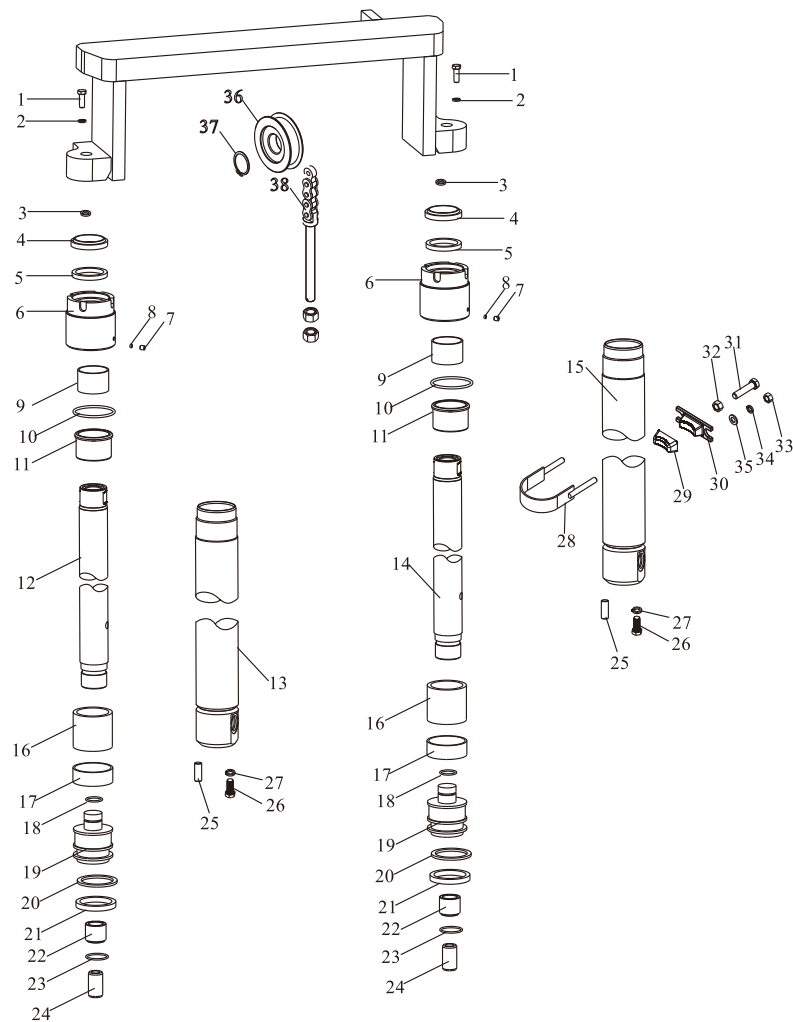
Rear Lift Cylinder (Full Free 3-Stage Mast KZM)2-3t

Item	Part No	Description	Q'ty	Remark
18	A30B4-10611	56×14.7×2.5 Backup ring	2	3t
-	A20B4-10609	50×14.7×2.5 Backup ring	2	2-2.5t
19	A30B4-10612	Piston	1	3t
-	A20B4-10610	Piston	1	2-2.5t
20	A30B4-10613	45×56×3 Ring, back up	2	3t
-	A20B4-10611	40×50×3 Ring, back up	2	2-2.5t
21	A30B4-10614	56×45×7 Ring	2	3t
-	A20B4-10612	50×40×6 Ring	2	2-2.5t
22	A30B4-10615	1 Spacer	2	
23	A30B4-10616	26×2 Stopper	2	
24	A30B4-10617	2 Spacer	2	
25	GB/T119	D10×26 Pin	2	
26	GB/T5786	M12×1.25×35 Bolt	2	
27	GB/T93		2	
28	S30F3-80002	Clamp	2	
29	S30F3-80004	Rubber block	2	
30	GB/T5786	M12×1.25×70 Bolt	2	
31	GB/T93		2	
32	S30F3-80005	Bolster	2	
33	S30F3-80003	Casing	2	
34	GB/T6171	M12×1.25 Nut	2	
35	S30J3-80100	Sheave	2	
36	GB/T894.1	40 Snap ring	2	
37	LH1623×N	Chain ass'y	2	



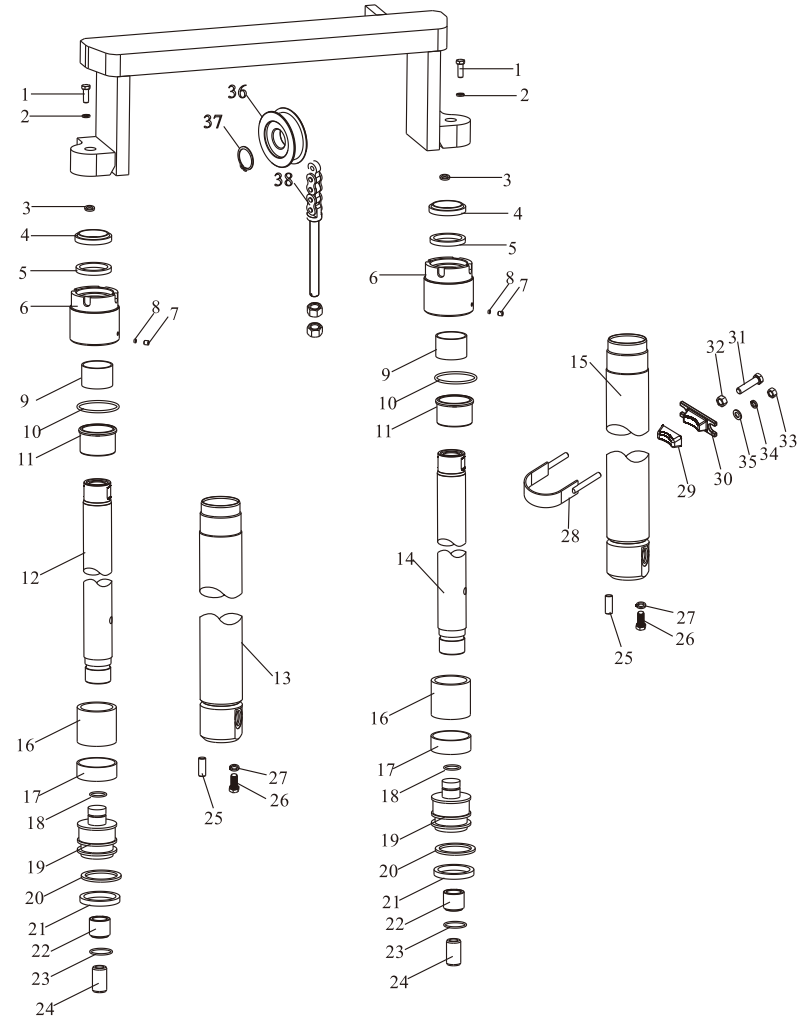
Rear Lift Cylinder (Full Free 3-Stage Mast KZM)3.5t

Item	Part No	Description	Q'ty	Remark
A	A35D4-10600L/R	Rear lift cylinder ass'y	2	
1	GB/T5786	M20×1.5×40 Bolt	2	
2	GB/T93		2	
3	S30A3-80001	Spacer	2	
4	A35B4-10601	50×62×7/10 Dust ring	2	
5	A35B4-10602	50×60×6 Ring	2	
6	A35B4-10603	Cap, lift cylinder	2	
7	GB/T80	M8×8 Screw	2	
8	A30B4-10602	6×3 Nylon pad	2	
9	A35B4-10604	5027 Guide bushing	2	
10	GB/T1235	70×3.5 O-ring	2	
11	A35B4-10605	Bushing	2	
12	A35D4-10601	Piston rod L.H.	1	
13	A35D4-10602	Cylinder L.H.	1	
14	A35D4-10603	Piston rod R.H.	1	
15	A35D4-10604	Cylinder R.H.	1	
16	A35B4-10610	Spacer	2	
17	A30B4-10416	24×2 Stopper	1	
18	A35B4-10611	60×20×2.5 Backup ring	2	
19	A35B4-10612	Piston	1	
20	A35B4-10613	50×60×3 Ring, back up	2	
21	A35B4-10614	60×50×6 Ring	2	
22	A30B4-10615	1 Spacer	2	
23	A30B4-10616	26×2 Stopper	2	
24	A30B4-10617	2 Spacer	2	
25	GB/T119	D10×26 Pin	2	
26	GB/T5786	M12×1.25×35 Bolt	2	
27	GB/T93		2	
28	M35K3-80100	Oil cylinder hoop	2	
29	M30A3-80002	Spacer	2	



Rear Lift Cylinder (Full Free 3-Stage Mast KZM)3.5t

Item	Part No	Description	Q'ty	Remark
30	M30A3-80003	Support	2	
31	GB/T5786	M12×1.25×45 Bolt	2	
32	GB/T6171	M12×1.25 Nut	2	
33	GB/T6170	M10 Nut	4	
34	GB/T93		4	
35	GB/T97.1		4	
36	S35J3-80100	Sheave	2	
37	GB/T894.1	40 Snap ring	2	
38	LH1623×N	Chain ass'y	2	



Tilt cylinder

Item	Part No	Description	Q'ty	Remark
A	A30P4-10200L/R	Tilt cylinder ass'y	2	
1	A30P4-10201	Ear ring	2	
2	GE30ES	30 Bushing	2	
3	GB/T893.1	47 Ring,snap	2	
4	GB/T5785	M14×1.5×55 Bolt	2	
5	GB/T93	14 Washer,lock	2	
6	GB/T6171	M14×1.5 Nut	2	
7	A30P4-10202	35×43×5/6.5 Seal,dust	2	
8	A30P4-10203	45×35×3 Ring,snap	2	
9	A30P4-10204	35×45×6 Ring	2	
10	A30P4-10205	Guide sleeve	2	
11	GB/T3452.1	80×2.65 O-ring	2	
12	A30P4-10206	80×75.2×1.5 Ring,snap	2	
13	GB/T1235	80×3.1 O-ring	2	
14	A30P4-10207L	Piston rod L.H.	1	
-	A30P4-10207R	Piston rod R.H.	1	
15	A30P4-10208	I Adjusting sleeve	2	
16	A30P4-10209	80×70×6 Ring	4	
17	A30P4-10210	80×70×2.5 Ring,snap	4	
18	GB/T1235	41×3.5 O-ring	2	
19	A30P4-10211	Piston	2	
20	A30P4-10212	80×16×2.5Support ring	2	
21	GB/T6171	M27×2 Nut	2	
22	A30P4-10213	II Adjusting sleeve	2	
23	A30P4-10214	Ring	2	
24	A30P4-10215L	Cylinder L.H.	1	
-	A30P4-10215R	Cylinder R.H.	1	
25	M30A3-00100	Pin	2	
26	JB/T7940.1	M10×1 Nipple grease	2	
27	GB/T5786	M10×1 25×20 Bolt	2	

