

# 2024 FD70



## STANDARD FEATURES

- 15,500lb Base Capacity
- 3 Stage Mast
- Full Free Lift
- 108" Lowered Mast Height
- 189" Max Raised Fork Height
- Premium Air Pneumatic tires
- EPA Tier 4 Final Cummins 3.8L Turbo Diesel Engine
- Engine Features 4cyl 74HP @2200 RPM
- Backup Alarm
- Rear View Mirrors
- LED Front and Rear Lights
- Integrated LED Turn Signals
- Tilt Steering Column
- Premium Seat
- Pre Air Cleaner
- Digital Systems Monitor Display
- Rubber Floor mat
- Load Backrest
- 3 Way Hydraulics Plumbed to Carriage
- 12mo/2000hr Manufacturer Warranty
- 1 Year/2000hr Cummins Engine Warranty

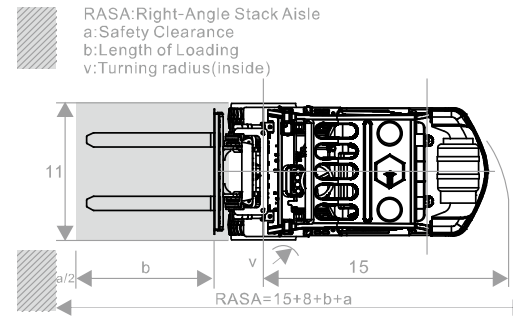
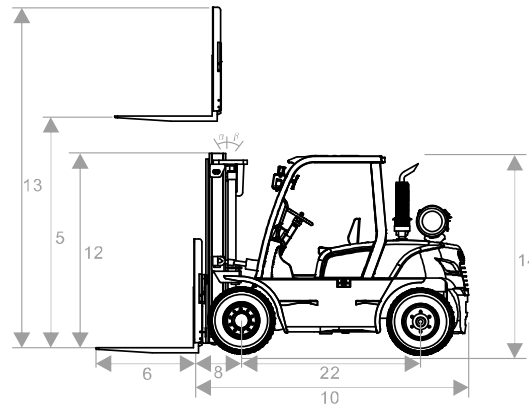




# 2024 FD70

## SPECIFICATIONS

|                          |                      |
|--------------------------|----------------------|
| POWER TYPE               | <b>DIESEL</b>        |
| BASE CAPACITY            | <b>15,500 LBS</b>    |
| CAPACITY 24" LC @189"    | <b>13,600 LBS</b>    |
| SERVICE WEIGHT           | <b>23300 LBS</b>     |
| TIRE SIZE (FRONT)        | <b>8.25-15-14PR</b>  |
| TIRE SIZE (REAR)         | <b>8.25-15-10PR</b>  |
| WHEELBASE                | <b>88.5"</b>         |
| MAST TILT ANGLE (F/R)    | <b>6/12</b>          |
| LIFT HEIGHT (3 STAGE)    | <b>189"</b>          |
| LOWERED HEIGHT           | <b>108"</b>          |
| FREE LIFT                | <b>78"</b>           |
| LENGTH (LESS FORKS)      | <b>140"</b>          |
| WIDTH                    | <b>79"</b>           |
| HEIGHT TO OVERHEAD GUARD | <b>95.6"</b>         |
| TURNING RADIUS           | <b>132"</b>          |
| GROUND CLEARANCE         | <b>8"</b>            |
| MAX GRADABILITY          | <b>20%</b>           |
| TRANSMISSION             | <b>AUTO</b>          |
| TRANSMISSION SPEEDS      | <b>2 FWD / 2 RVS</b> |



[CLICK FOR ENGINE BROCHURE](#)

**VIPER**  
LIFT TRUCKS



# 2024

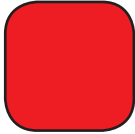
# FD70

## PICK YOUR COLOR!

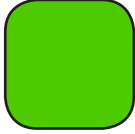
**ORANGE**



**RED**



**GREEN**



**ACID GREEN**



**SKY BLUE**



**ROYAL BLUE**



**SILVER**



**FROST GREY**



WWW.VIPERLIFTTRUCKS.COM

## FACTORY INSTALLED OPTIONS\*

SOLID TIRES (6)

SIDE SHIFTER

SIDE SHIFT FORK POSITIONER

FULL SUSPENSION SEAT

CAB W/HEAT, WIPERS, LED LIGHTS

AIR CONDITIONING

VERTICAL EXHAUST

FIRE EXTINGUISHER

STROBE LIGHT

REAR WORK LIGHT

4TH VALVE, LEVER AND HOSEING

REAR HORN HANDLE/BUTTON

EATON STEERING



**EXTENDED WARRANTIES AVAILABLE  
INQUIRE WITH YOUR REPRESENTATIVE  
FOR FURTHER DETAILS**

**VIPER**  
LIFT TRUCKS





VIPER

VIPER  
LIFT TRUCKS

25

VIPER

VIPER  
LIFT TRUCKS  
GENUINE PARTS

VIPER  
LIFT TRUCKS

GENUINE PARTS

VIPER  
LIFT TRUCKS

GENUINE PARTS

VIPER  
LIFT TRUCKS

GENUINE PARTS

OIL FILTER