

2024 FD60



STANDARD FEATURES

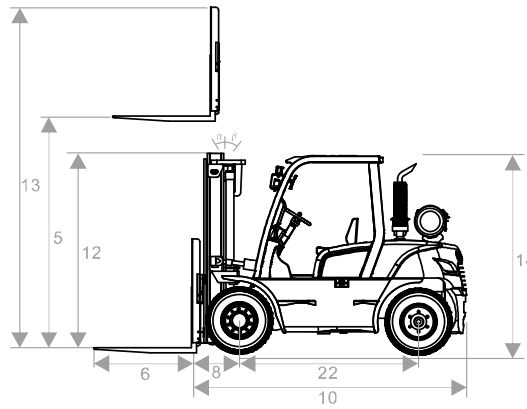
- 13,500lb Base Capacity
- 3 Stage Mast
- Full Free Lift
- 108" Lowered Mast Height
- 189" Max Raised Fork Height
- Premium Air Pneumatic tires
- EPA Tier 4 Final Cummins 3.8L Turbo Diesel Engine
- Engine Features 4cyl 74HP @2200 RPM
- Backup Alarm
- Rear View Mirrors
- LED Front and Rear Lights
- Integrated LED Turn Signals
- Tilt Steering Column
- Premium Seat
- Pre Air Cleaner
- Digital Systems Monitor Display
- Rubber Floor mat
- Load Backrest
- 3 Way Hydraulics Plumbed to Carriage
- 12mo/2000hr Manufacturer Warranty
- 1 Year/2000hr Cummins Engine Warranty



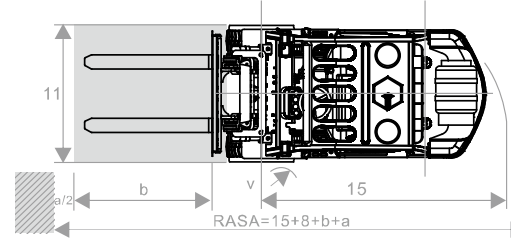
2024 FD60

SPECIFICATIONS

| | |
|--------------------------|----------------------|
| POWER TYPE | DIESEL |
| BASE CAPACITY | 13,500 LBS |
| CAPACITY 24" LC @189" | 11,200 LBS |
| SERVICE WEIGHT | 20300 LBS |
| TIRE SIZE (FRONT) | 8.25-15-14PR |
| TIRE SIZE (REAR) | 8.25-15-10PR |
| WHEELBASE | 88.5" |
| MAST TILT ANGLE (F/R) | 6/12 |
| LIFT HEIGHT (3 STAGE) | 189" |
| LOWERED HEIGHT | 108" |
| FREE LIFT | 78" |
| LENGTH (LESS FORKS) | 135.5" |
| WIDTH | 79" |
| HEIGHT TO OVERHEAD GUARD | 95.6" |
| TURNING RADIUS | 128.3" |
| GROUND CLEARANCE | 8" |
| MAX GRADABILITY | 20% |
| TRANSMISSION | AUTO |
| TRANSMISSION SPEEDS | 2 FWD / 2 RVS |



RASA: Right-Angle Stack Aisle
 a: Safety Clearance
 b: Length of Loading
 v: Turning radius (inside)



[CLICK FOR ENGINE BROCHURE](#)

VIPER
LIFT TRUCKS



2024

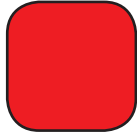
FD60

PICK YOUR COLOR!

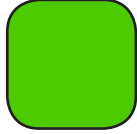
ORANGE



RED



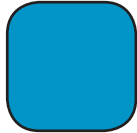
GREEN



ACID GREEN



SKY BLUE



ROYAL BLUE



SILVER



FROST GREY



FACTORY INSTALLED OPTIONS*

SOLID TIRES (6)

SIDE SHIFTER

SIDE SHIFT FORK POSITIONER

FULL SUSPENSION SEAT

CAB W/HEAT, WIPERS, LED LIGHTS

AIR CONDITIONING

VERTICAL EXHAUST

FIRE EXTINGUISHER

STROBE LIGHT

REAR WORK LIGHT

4TH VALVE, LEVER AND HOSEING

REAR HORN HANDLE/BUTTON

EATON STEERING



**EXTENDED WARRANTIES AVAILABLE
INQUIRE WITH YOUR REPRESENTATIVE
FOR FURTHER DETAILS**

VIPER
LIFT TRUCKS

WWW.VIPERLIFTTRUCKS.COM



VIPER

VIPER
LIFT TRUCKS

25

VIPER

OIL FILTER

VIPER
LIFT TRUCKS
GENUINE PARTS

VIPER
LIFT TRUCKS

GENUINE PARTS

VIPER
LIFT TRUCKS

GENUINE PARTS

VIPER
LIFT TRUCKS

GENUINE PARTS